

PARTBOOK

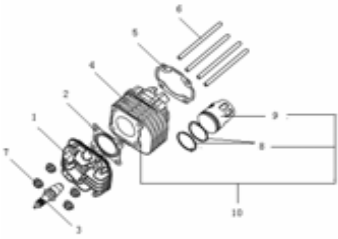
2005.1

GRANDPRIX

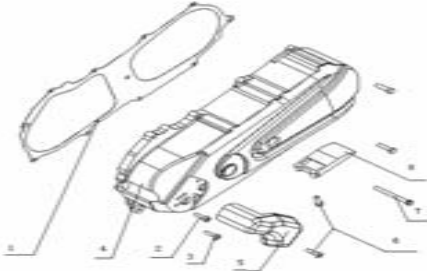
50 ccm

INDEX-ENGINE Ver.2005.1

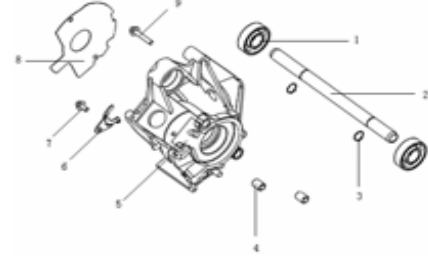
E01 CYLINDER & CYLINDER HEAD ASSY



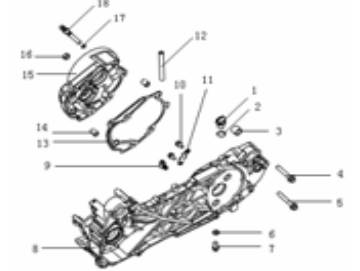
E02 L. CRANKCASE COVER



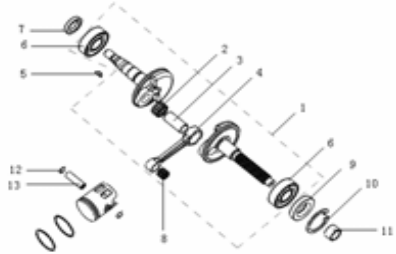
E03 R. CRANKCASE



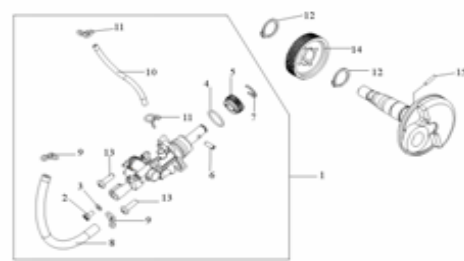
E04 L. CRANKCASE & MISSION CASE



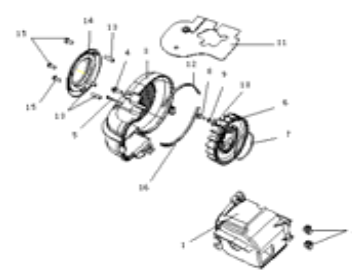
E05 PISTON & CRANKSHAFT ASS'Y



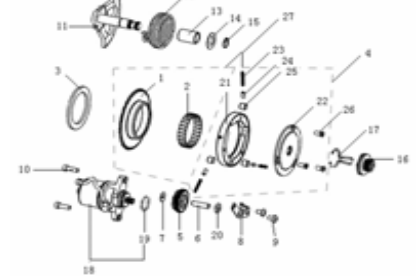
E06 OIL PUMP ASSY



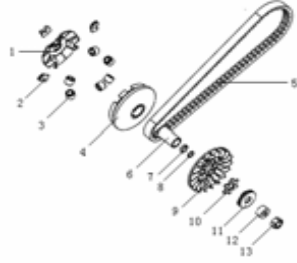
E07 AIR SHROUD



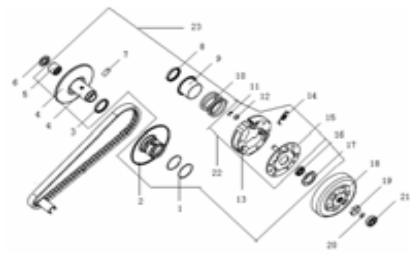
E08 KICK STARTER ASSY



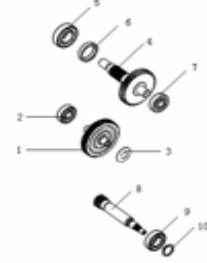
E09 MOVABLE DRIVE FACE ASS'Y



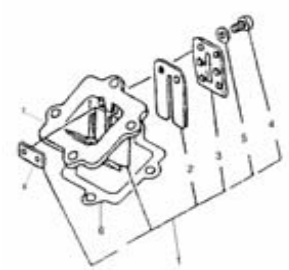
E10 DRIVE PULLEY ASS'Y



E11 TRANSMISSION



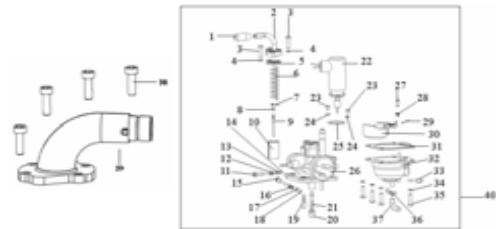
E12 REED VALVE ASSY



E13 A.C.G. ASSY

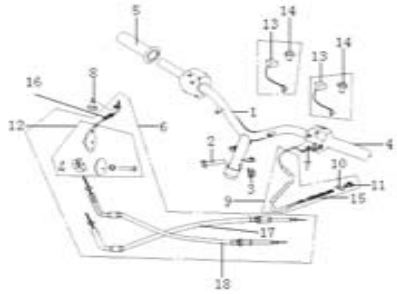


E14 CARBURETOR ASSY

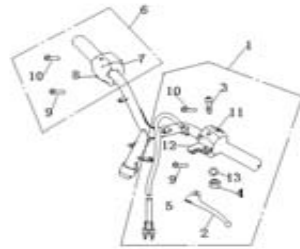


INDEX-FRAME (1) Ver.2005.1

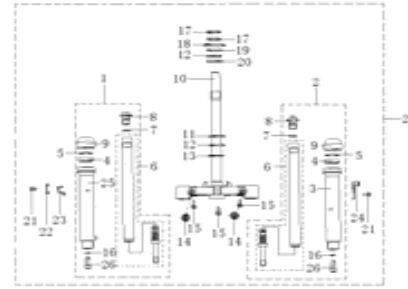
F01 STEERING HANDLE



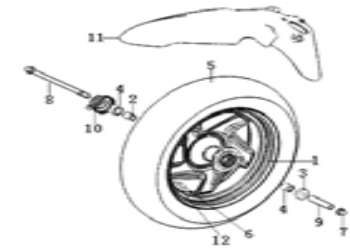
F02 BRAKE LEVER/HANDLE SWITCH



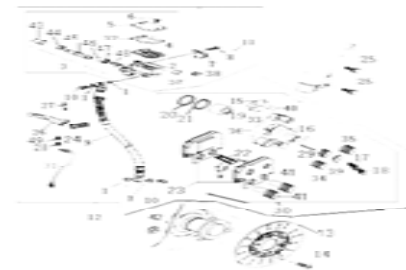
F03 FRONT FORK



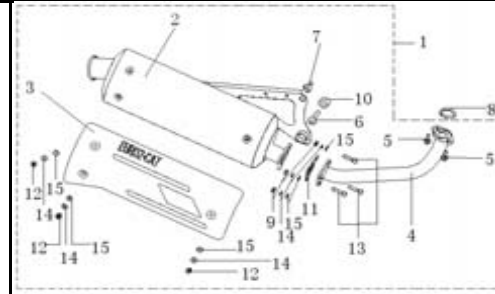
F04 FRONT WHEEL



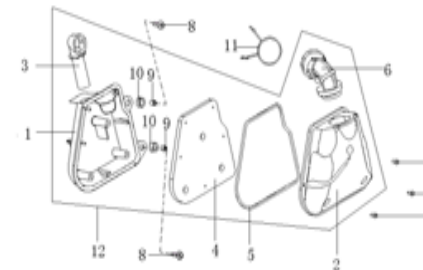
F05 FRONT DISK BRAKE



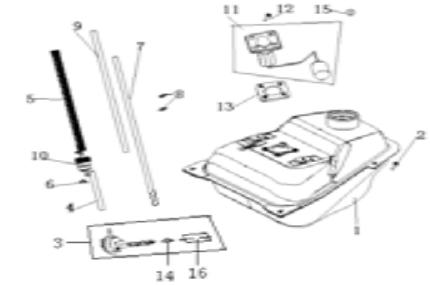
F06 EXHAUST MUFFLER



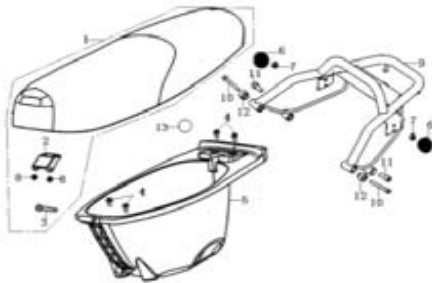
F07 AIR CLEANER



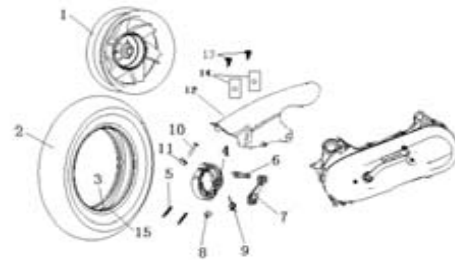
F08 FUEL TANK



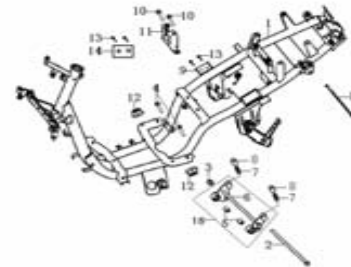
F09 DOUBLE SEAT



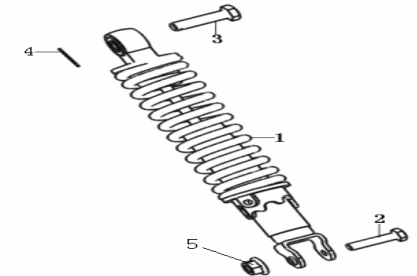
F10 REAR WHEEL



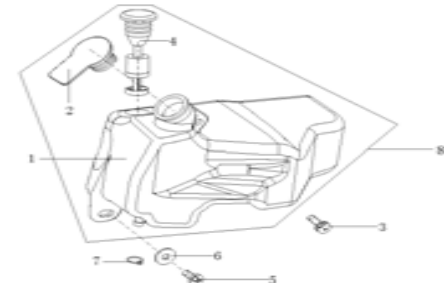
F11 FRAME BODY



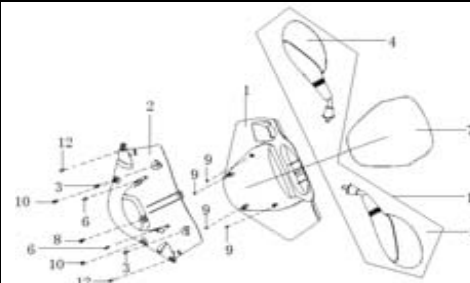
F12 REAR SHOCK ABSORBER



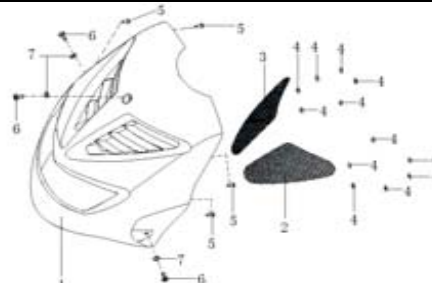
F13 OIL TANK



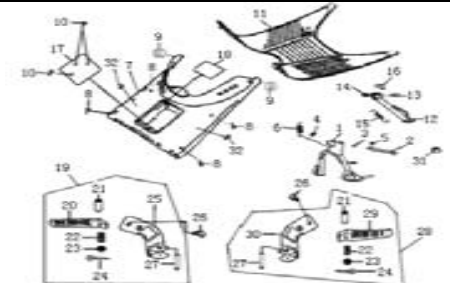
F14 HANDLE COVER



F15 FRONT COVER

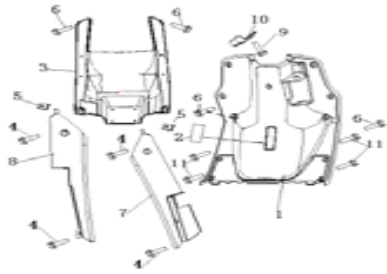


F16 FLOOR PANEL/FOOTREST

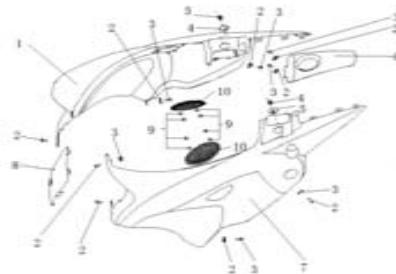


INDEX-FRAME (2) Ver.2005.1

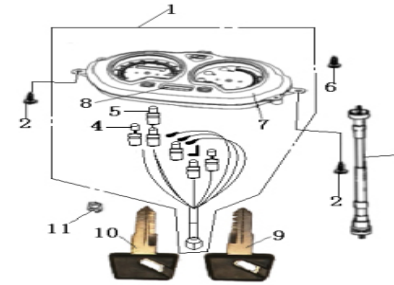
F17 LEG SHIELD



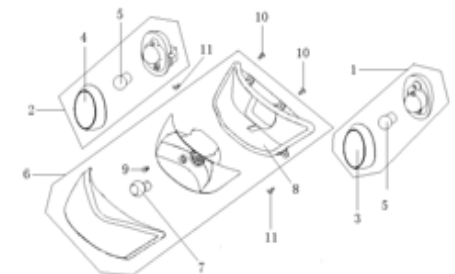
F18 SIDE COVER



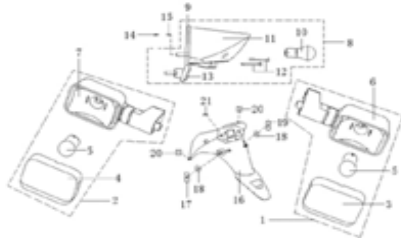
F19 SPEEDOMETER



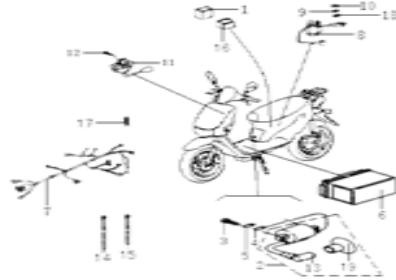
F20 HEAD LIGHT / FRONT WINKER



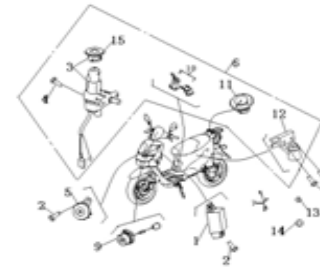
F21 TAIL LIGHT



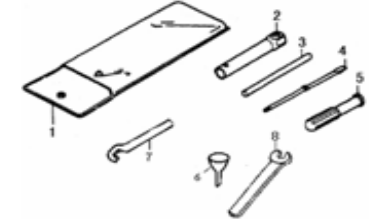
F22 ELECTRIC EQUIPMENT I



F23 ELECTRIC EQUIPMENT II



F24 TOOL KIT



F25 KICK STARTER

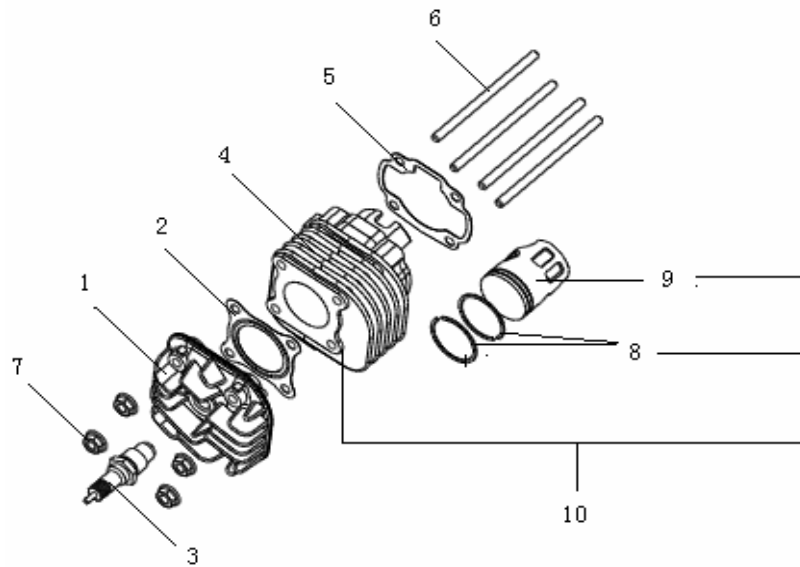


F26 STICKERS



E01 CYLINDER & CYLINDER HEAD ASSY

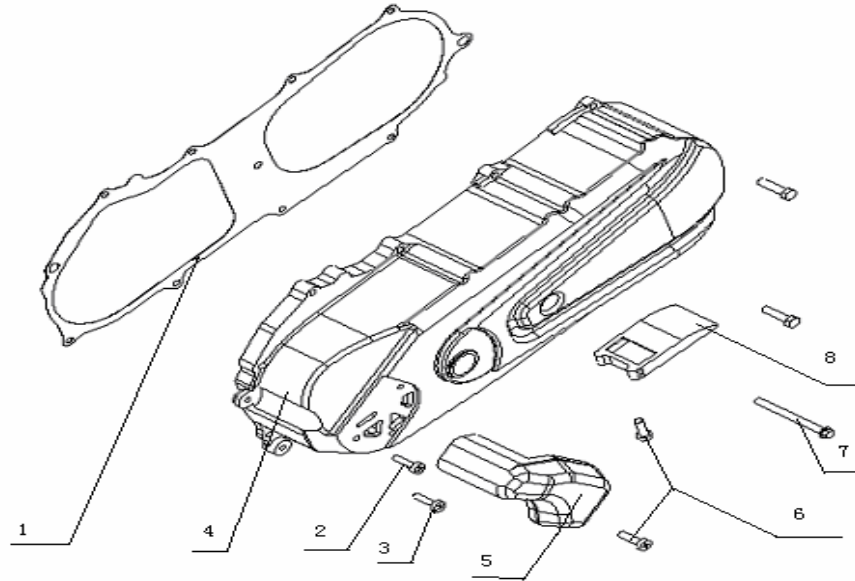
EXPLORER CRACKER 50



NO.	PART NO.	DESCRIPTION	QTY	DESIGN CHANGE		DATE	APPLY	REMARK
				INITIAL	END			
1	201200.06600	HEAD , CYLINDER	1					
2	30507B01F000	GASKET , CYLINDER HEAD	1					
3	201204.015000	SPARK PLUG	1					
4	204200.041000	CYLINDER	1					
5	27102B01F000	GASKET , CYLINDER	1					
6	26107B01F911	STUD BOLT M7X109	4					
7	26127G02F910	NUT M7	4					
8	15103B09F000	PISTON RING	2					
9	15100B09F000	PISTON COMP.	1					
10	204102.001000	CYLINDER & PISTON ASS'Y	1					

E02 L CRANKCASE COVER

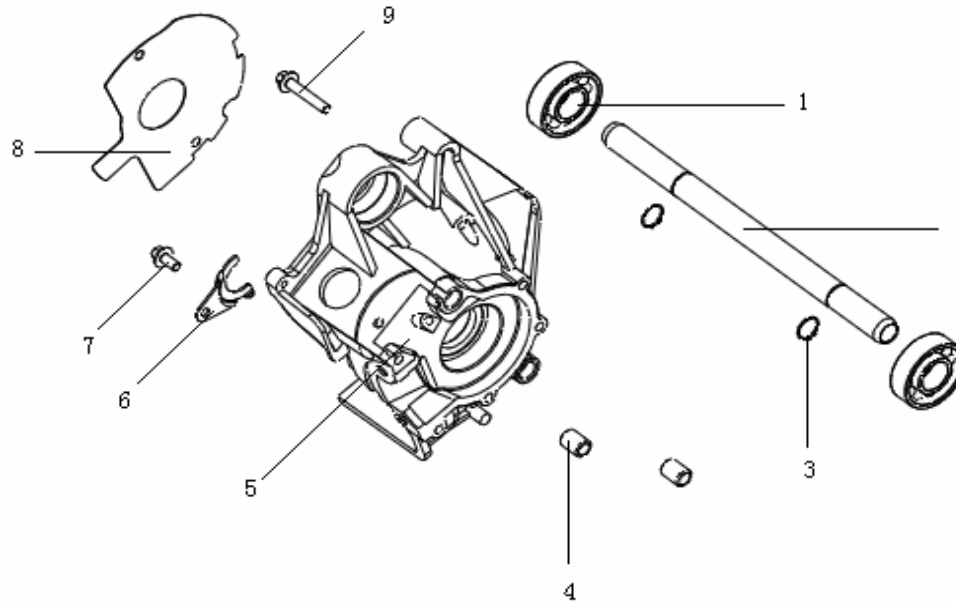
EXPLORER CRACKER 50



NO.	PART NO.	DESCRIPTION	QTY	DESIGN CHANGE		DATE	APPLY	REMARK
				INITIAL	END			
1	14109B09F000	GASKET,L CRANKCASE	1					
2	301310602565	PAN HEAD BOLT M6X25	10					
3	302460601265	PAN HEAD SCREW M6X12	2					
4	207200.065082	L CRANKCASE COVER	1					
5	207219.844000	INTAKE COVER	1					
6	3052035014F5	SELF-TAPED SCREW ST3.5X14	6					
7	301310606565	PAN HEAD BOLT M6X65	1					
8	207216.001000	EXHAUST COVER	1					

E03 RH. CRANKCASE

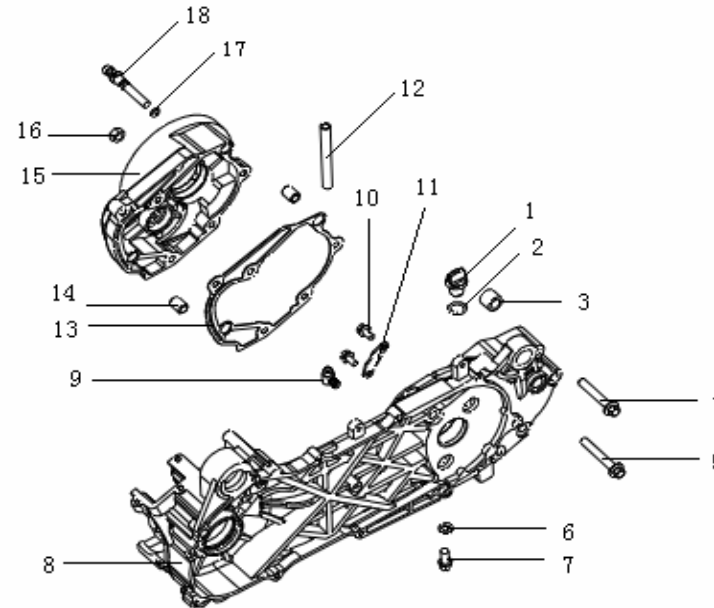
EXPLORER CRACKER 50



NO.	PART NO.	DESCRIPTION	QTY	DESIGN CHANGE		DATE	APPLY	REMARK
				INITIAL	END			
1	B12016600300	BEARING 6003	2					
2	26109B09F000	AXLE,ENGINER MOUNT	1					
3	B08010001700	CIRCLIP 17	2					
4	26123G02F000	DOWEL PIN φ12X16	2					
5	26211B09F001	CRANKCASE,RH	1					
6	26214G02F910	OIL SEAL HOLDER	1					
7	B01070601263	PAN HEAD SCREW M6X12	1					
8	26216G02F000	GASKET	1					
9	B01070603564	PAN HEAD SCREW M6X35	6					

E04 L. CRANKCASE & MISSION CASE COMP

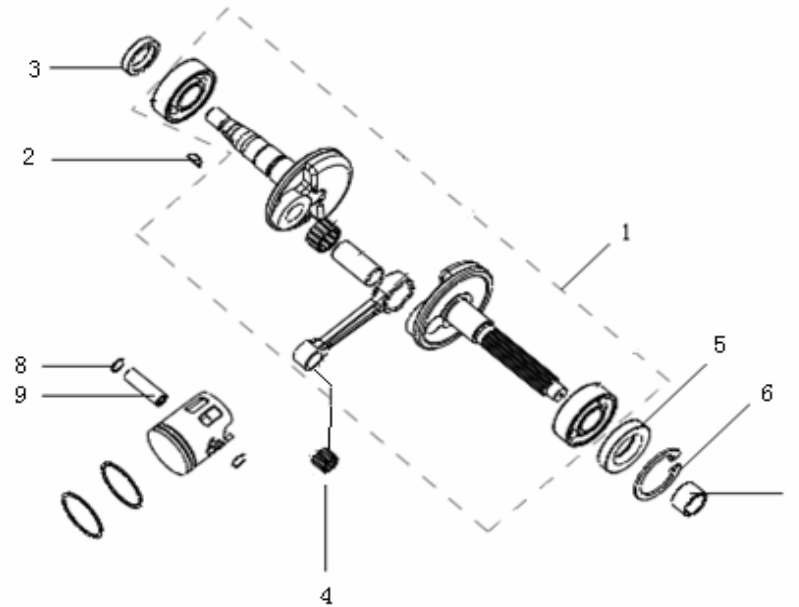
EXPLORER CRACKER 50



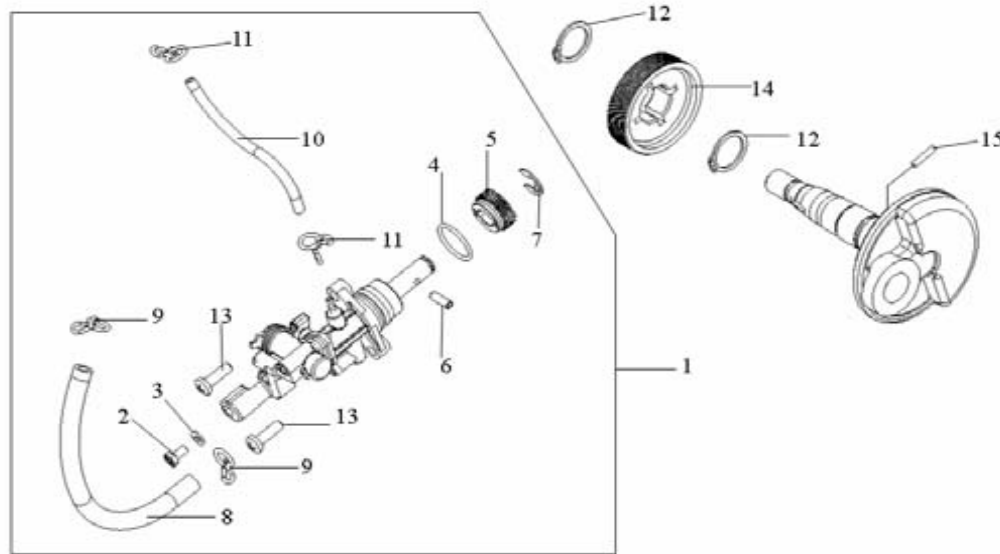
NO.	PART NO.	DESCRIPTION	QTY	DESIGN CHANGE		DATE	APPLY	REMARK
				INITIAL	END			
1	26202G02F000	OIL PLUG	1					
2	26102G02F000	O-RING	1					
3	26108G02F000	GROMMET	1					
4	B01070805563	BOLT M8X55	2					
5	B01070805063	BOLT M8X50	5					
6	18105H03F000	PLATE WASHER φ8	1					
7	26121G02F000	FLANGE BOLT M8X16	1					
8	26111B09F001	CRANKCASE,LH	1					
9	26126G02F000	BREATHER PLUG	1					
10	B02000601262	PAN HEAD SCREW M6X12	2					
11	26214B09F000	BEARING HOLDER	1					
12	26105G02F000	HOSE	1					
13	18100B09F000	GEAR CASE GASKET	1					
14	26123G02F000	DOWEL PIN φ12X16	2					
15	18101B09F000	GEAR CASE	1					
16	B04070812553	NUT M8	1					
17	26143G02F000	O-RING	1					
18	26142G02F000	BRAKE SHOE ANCHOR PIN ASSY	1					

E05 PISTON, CRANKSHAFT

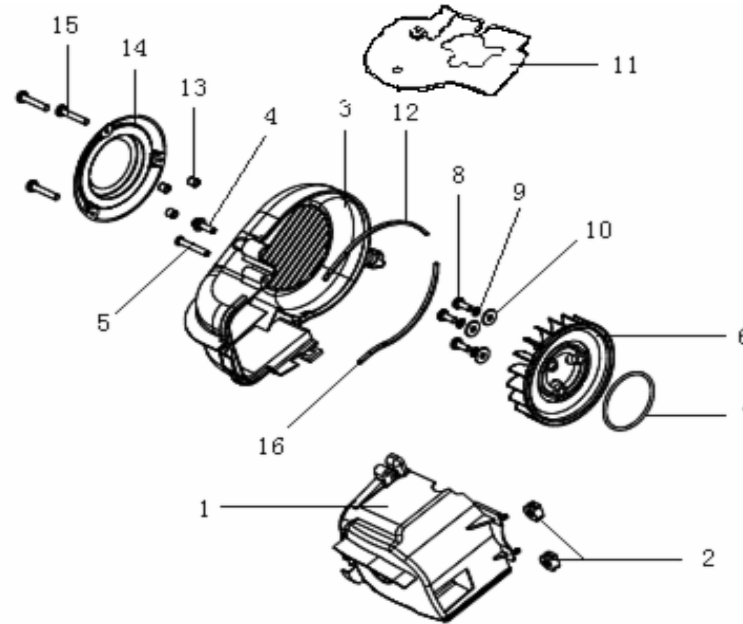
EXPLORER CRACKER 50



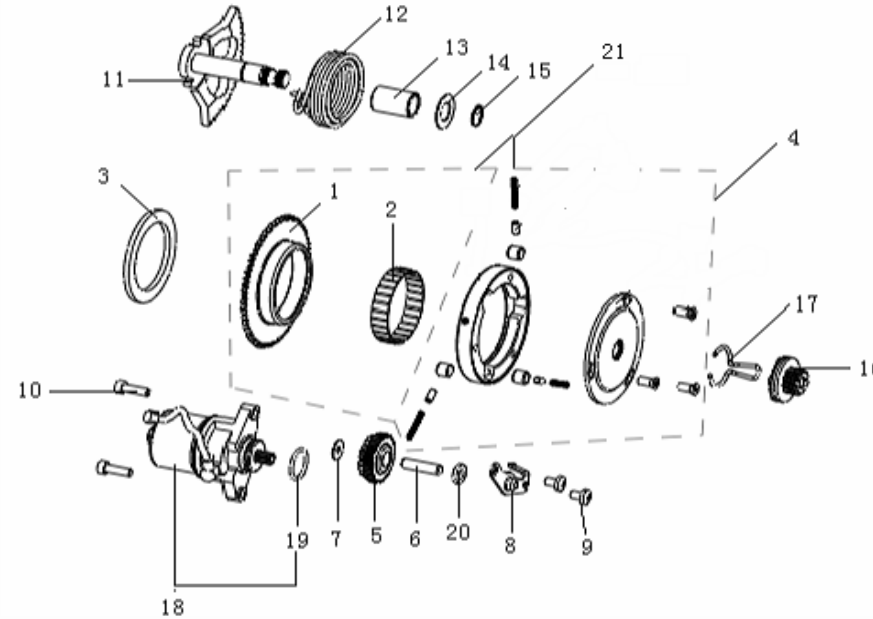
NO.	PART NO.	DESCRIPTION	QTY	DESIGN CHANGE		DATE	APPLY	REMARK
				INITIAL	END			
1	15200B01F000	CRANKSHAFT , ASS'Y	1					
2	15101B01F000	WOODRUFF KEY 3X5X13	1					
3	26215G02F000	OIL SEAL 20X30X6	1					
4	15114B01F000	NEEDLE BEARING	1					
5	15213G02F000	OIL SEAL 20X42X8	1					
6	17308G02F000	CIRCLIP	1					
7	15214G02F000	BUSHING	1					
8	15111G02F000	CIRCLIP	2					
9	15105B16F000	PISTON PIN	1					



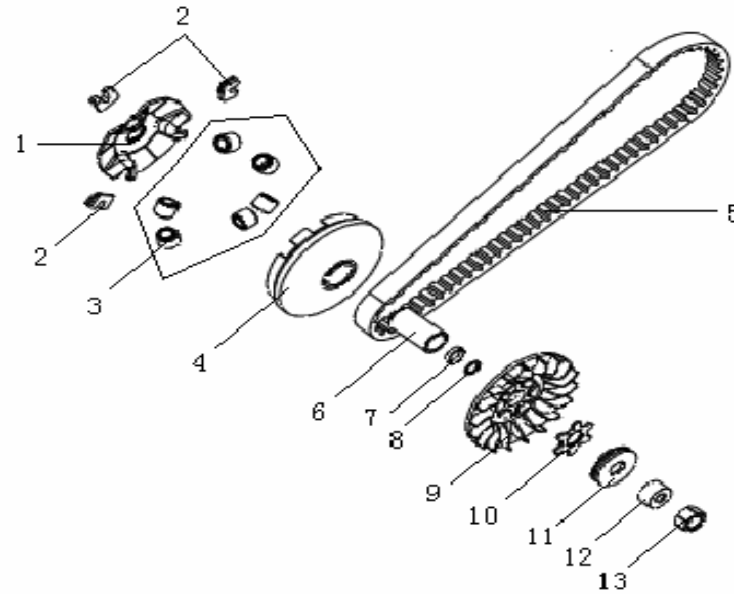
NO.	PART NO.	DESCRIPTION	QTY	DESIGN CHANGE		DATE	APPLY	REMARK
				INITIAL	END			
1	19000B09F000	OIL PUMP ASSY	1					
2	B02000400863	SCREW	1					
3	B07060000500	WASHER	1					
4	B190101900A0	O-RING	1					
5	19210G02F000	GEAR	1					
6	B090103012A0	PIN	1					
7	B08030000800	CIRCLIP	1					
8	19212B09F000	HOSE	1					
9	19213G02F00A	HOSE CLIP	2					
10	19216B09F000	HOSE	1					
11	19217G02F00A	HOSE CLIP	2					
12	15106G02F910	CIRCLIP	2					
13	B02000501463	SCREW	2					
14	15211G02F000	PUMP DRIVE GEAR	1					
15	B090103014C0	PIN	1					



NO.	PART NO.	DESCRIPTION	QTY	DESIGN CHANGE		DATE	APPLY	REMARK
				INITIAL	END			
1	20301B01F000	AIR SHROUD, CYLINDER	1					
2	20303G02F000	GROMMET	2					
3	20201B01F000	AIR SHROUD, FAN	1					
4	B01070602064	BOLT M6×20	2					
5	B05035504000	SCREW ST5.5×40-F	1					
6	20401B01F000	FAN ASS'Y	1					
7	20402G02F000	RUBBER RING φ70X3.1	1					
8	B02000601663	SCREW M6×16	3					
9	B07000000600	WASHER 6	3					
10	B07030000600	WASHER 6	3					
11	20102G02F000	PLATE	1					
12	20206G02F000	SEAL, COOLING	1					
13	20208B09F000	COLLAR	3					
14	222304.002000	COVER, AIR SHROUD	1					
15	B02000403523	SCREW M4X35	3					
16	20208G02F000	DAMPER, AIR SHROUD	1					



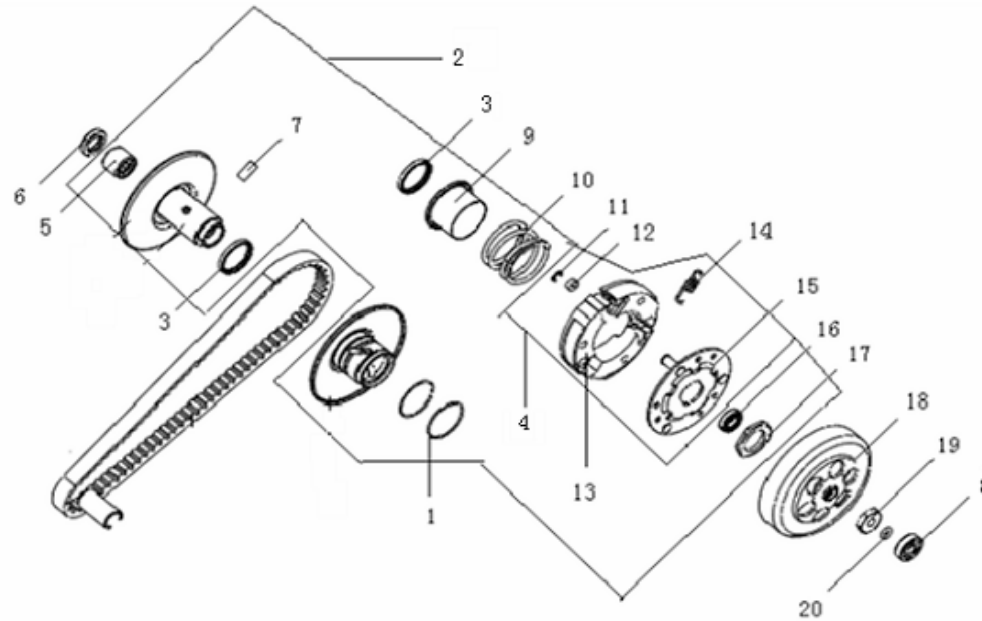
NO.	PART NO.	DESCRIPTION	QTY	DESIGN CHANGE		DATE	APPLY	REMARK
				INITIAL	END			
1	34120G02F000	START GEAR ASS'Y	1					
2	34121G02F000	NEEDLE BEARING	1					
3	34123G02F000	THRUST WASHER	1					
4	34400G02F000	START CLUTCH ASS'Y	1					
5	34126G02F000	IDLE GEAR	1					
6	26128G02F000	IDLE GEAR SHAFT	1					
7	34122G02F000	PLATE WASHER φ8	1					
8	34125G02F000	IDLE GEAR HOLDER	1					
9	B02000601063	SCREW M6×10	2					
10	B02050602064	SCREW M6×20	2					
11	17400G02F000	SHAFT, KICK STARTER	1					
12	17407G02F000	SPRING	1					
13	17413G02F000	BUSHING	1					
14	17422G02F000	WASHER ,KICK STARTER	1					
15	B08010001500	CIRCLIP φ15	1					
16	17415G02F000	KICK PINION ASS'Y	1					
17	17418G02F930	CLIP	1					
18	34200G02F000	STARTING MOTOR ASS'Y	1					
19	B190102120B0	O-RING φ21.2X2.65	1					
20	34130G02F000	PLATE WASHER φ8	1					
21	217106.001000	START CLUTCH GEAR ASS'Y	1					



NO.	PART NO.	DESCRIPTION	QTY	DESIGN CHANGE		DATE	APPLY	REMARK
				INITIAL	END			
1	24103G02F000	RAMP PLATE	1					
2	24104G02F000	SLIDE PIECE SET	1 SET					
3	24102B09F000	WEIGHT ROLLER SET	1 SET					
4	24101B09F000	FACE, MOVABLE DRIVE	1					
5	24107G02F000	V-BELT , DRIVE	1					
6	24105G02F000	COLLER, DRIVE FACE	1					
7	24106B09F000	WASHER	1					
8	24106B01F000	WASHER	1					
9	24108B09F000	SHEAVE, PRIMARY FIXED	1					
10	24109G02F000	PLATE,WOODRUFFKEY	1					
11	24110G02F000	KICK STARTER RACHET	1					
12	15112G02F010	WASHER,SPRING	1					
13	B04031212553	NUT M12X1.25	1					

E10 DRIVE PULLEY ASS'Y

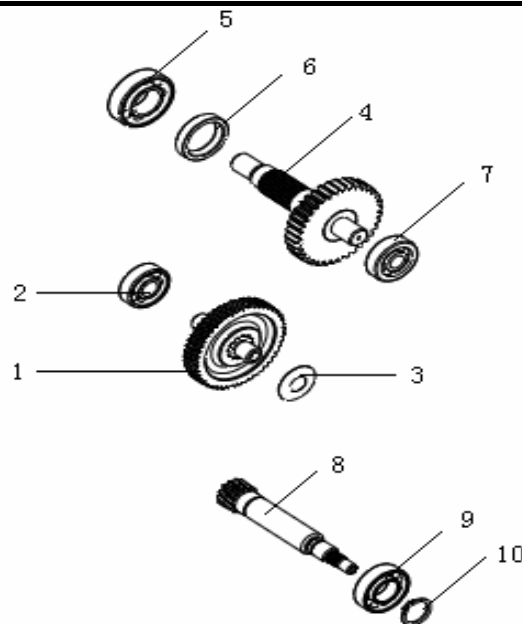
EXPLORER CRACKER 50



NO.	PART NO.	DESCRIPTION	QTY	DESIGN CHANGE		DATE	APPLY	REMARK
				INITIAL	END			
1	24207G02F000	O-RING φ38.7X1.7	2					
2	24301G02F000	DRIVEN PULLEY ASS'Y	1					
3	24206G02F000	OLL SEAL φ33Xφ39X4	4					
4	24200B01F000	CLUTCH WEIGHT ASS'Y	1					
5	24247G02F000	NEEDLE BEARING	1					
6	24203B09F000	OIL SEAL φ17Xφ35X7	1					
7	24208G02F000	PIN , GUIDE	2					
8	24209G02F000	BEARING 638Z	1					
9	24309G02F930	SEAT , SECONDARY SPRING	1					
10	24308G02F000	SPRING, COMPRESSION	1					
11	24222G02F000	CLIP	3					
12	24225G02F000	WASHER	3					
13	24223G02F000	CLUTCH WEIGHT	3					
14	24302G02F000	SPRING, CLUTCH WEIGHT	3					
15	24226G02F000	DRIVE PLATE	1					
16	24245G02F000	BALL BEARING	1					
17	24303G02F000	NUT M28X1	1					
18	24700G02F000	CLUTCH HOUSING	1					
19	24305G02F940	NUT M10X1	1					
20	24243G02F000	O-RING φ6.7X3	1					

E11 TRANSMISSION

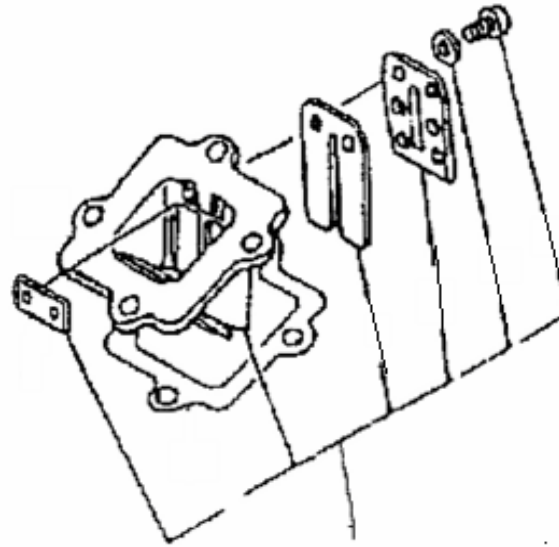
EXPLORER CRACKER 50



NO.	PART NO.	DESCRIPTION	QTY	DESIGN CHANGE		DATE	APPLY	REMARK
				INITIAL	END			
1	17800B09F000	COUNTER SHAFT	1					
2	B12016620000	BEARING 6200	1					
3	17732J01F000	WASHER , THRUST 14	1					
4	17300B09F000	FINAL SHAFT	1					
5	B12016600400	BALL BEARING 6004	1					
6	17317B09F000	OIL SEAL 25X44X7	1					
7	B12016620200	BALL BEARING 6202	1					
8	24201B09F000	PRIMARY DRIVE SHAFT	1					
9	B12016620300	BALL BEARING 6203	1					
10	B08010001700	CIRCLIP φ17	1					

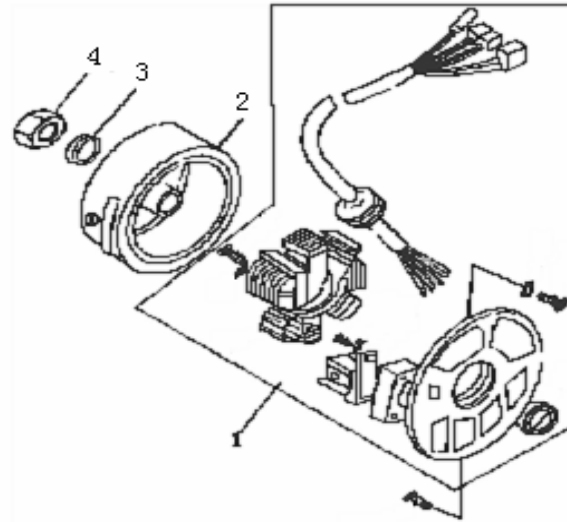
E12 REED VALVE ASSY

EXPLORER CRACKER 50



NO.	PART NO.	DESCRIPTION	QTY	INITIAL	DESIGN CHANGE	END	DATE	APPLY	REMARK
-----	----------	-------------	-----	---------	---------------	-----	------	-------	--------

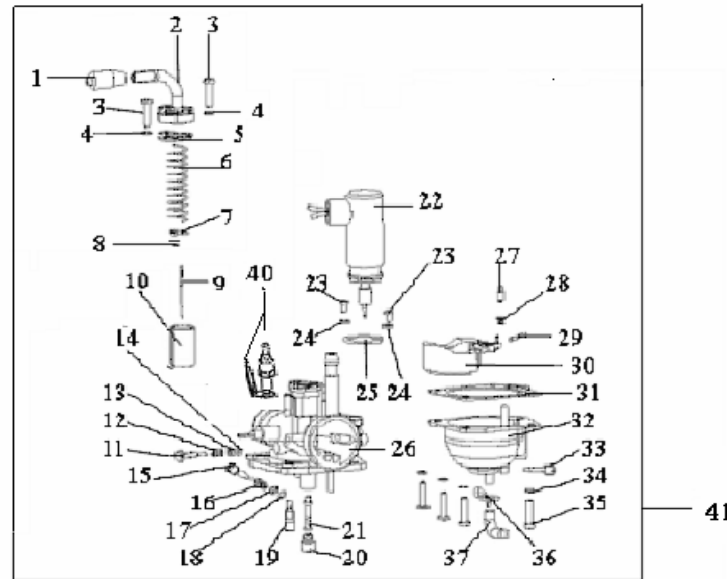
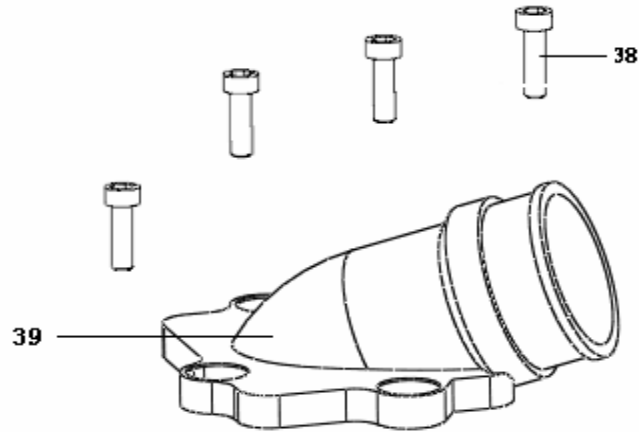
1	32300B09F000	REED VALVE ASS'Y	1						
---	--------------	------------------	---	--	--	--	--	--	--



NO.	PART NO.	DESCRIPTION	QTY	DESIGN CHANGE		DATE	APPLY	REMARK
				INITIAL	END			
1	34310G02F000	STATOR ASSY	1					
2	34301G02F000	FLYWHEEL COMP.	1					
3	B07030001200	WASHER 12-140HV	1					
4	15228H03F000	FLANGE NUT M12 1.25	1					

E14 CARBURETOR ASSY

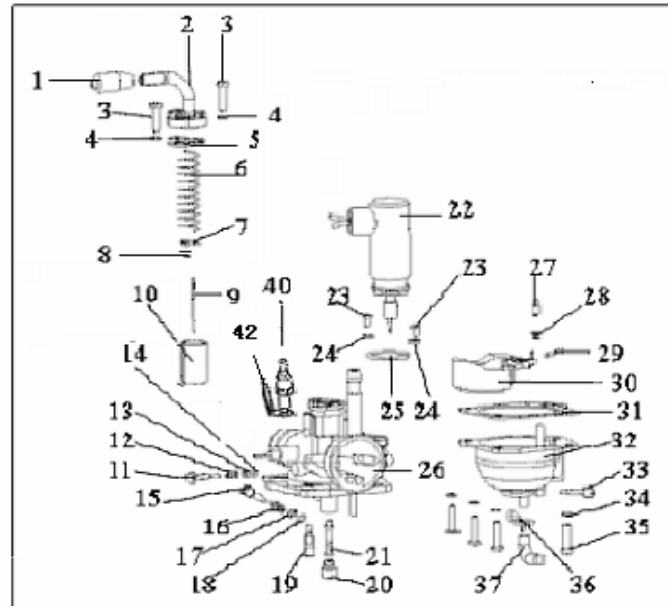
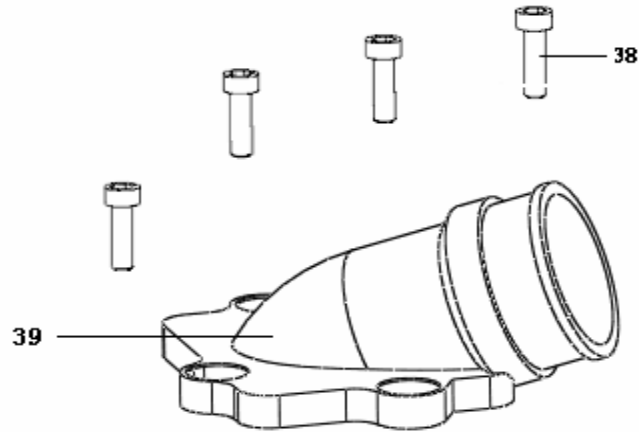
EXPLORER CRACKER 50



NO.	PART NO.	DESCRIPTION	QTY	DESIGN CHANGE		DATE	APPLY	REMARK
				INITIAL	END			
1	32501B01F910	FIX SCREW	1					
2	32502B01F910	BENDING PIPE	1					
3	32503B01F223	SCREW M4×12	2					
4	B07000000400	WASHER φ4	2					
5	32506B01F000	GASKET	1					
6	32507B01F000	SPRING , THROTTLE VALVE	1					
7	32508B01F000	CLIP, V-SHAPE	1					
8	B08030001500	CLIP	1					
9	32510B01F000	NEEDLE, JET	1					
10	32511B01F000	VALVE,PISTON	1					
11	32601B01F000	SCREW, IDLE SPEED	1					
12	32602B01F000	SPRING, SPEED SCREW	1					
13	32603B01F000	WASHER, SPEED SCREW	1					
14	32604B01F000	O-RING, SPEED SCREW	1					
15	32605B01F000	SCREW, AIR	1					
16	32606B01F000	SPRING,AIR SCREW	1					
17	32607B01F000	WASHER, AIR SCREW	1					
18	32608B01F000	O-RING, AIR SCREW	1					
19	32609B01F000	JET, IDLE	1					
20	32610B01F00B	JET, MAIN	1					
21	32611B01F000	JET, NEEDLE	1					

E14-1 CARBURETOR ASSY

EXPLORER CRACKER 50

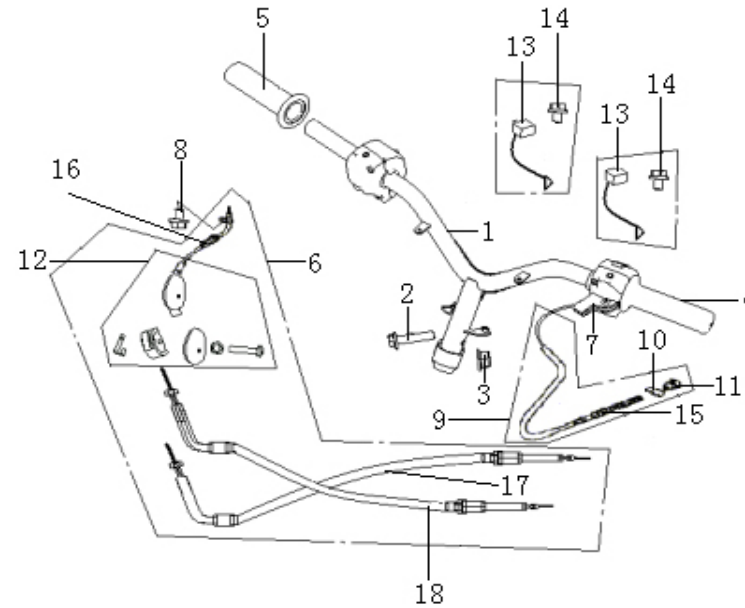


41

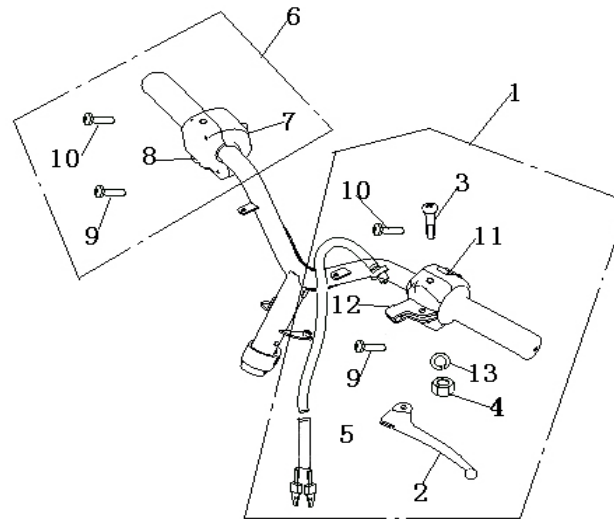
NO.	PART NO.	DESCRIPTION	QTY	DESIGN CHANGE		DATE	APPLY	REMARK
				INITIAL	END			
22	32612B01F000	AUTO BY STARTER	1					
23	B02040400823	SCREW	2					
24	B07000000400	WASHER φ4	2					
25	32615B01F000	O-RING	1					
26	32616B01F000	BODY, CARBURETOR	1					
27	32617B01F000	VALVE, NEEDLE	1					
28	32618B01F000	HOOK	1					
29	32619B01F000	PIN, FLOAT	1					
30	32620B01F000	FLOAT	1					
31	32701B01F000	GASKET	1					
32	32702B01F000	CHAMBER, FLOAT	1					
33	32703B01F000	SCREW	1					
34	B07000000400	WASHER φ4	4					
35	B02040401423	SCREW	4					
36	32706B01F000	CLIP	1					
37	32707B01F000	HOSE, DRAIN	1					
38	B02050602064	SCREW M6X20	4					
39	32200G02F00A	PIPE, INTAKE	1					
40	32800B01F000	HEATER CARBURETOR	1					
41	32500B01F000	CARBURETOR ASS'Y (MIKUNI)	1					
42	32801B09F000	L WASHER	1					

F01 STEERING HANDLE

EXPLORER CRACKER 50



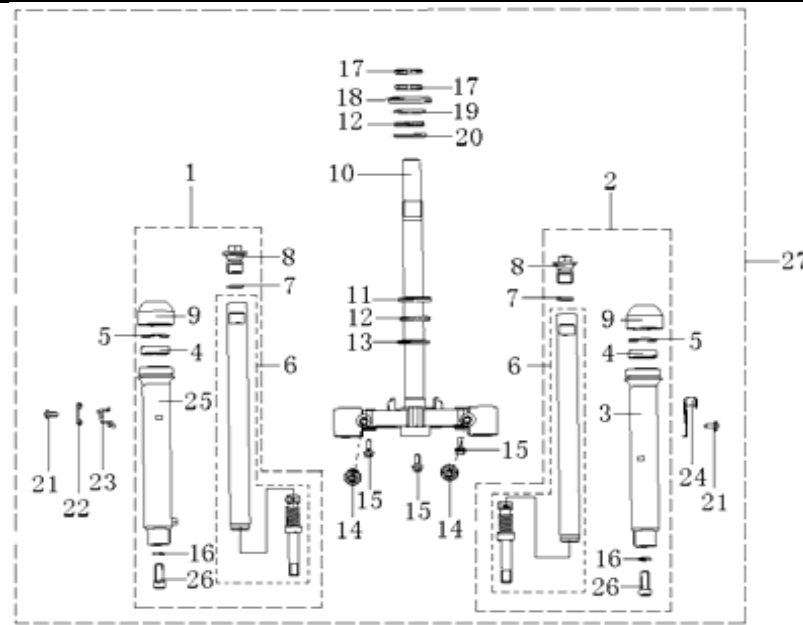
NO.	PART NO.	DESCRIPTION	QTY	DESIGN CHANGE		DATE	APPLY	REMARK
				INITIAL	END			
1	40100BM0T002	HANDLE COMP.	1					
2	B01091004565	BOLT 10X1.25X45MM	1					
3	B04171012565	U NUT 10X1.25MM	1					
4	40001BMBT000	L. GRIP	1					
5	40210BM0T000	R. GRIP ASSY.	1					
6	40300BM0T001	CABLE ASSY. THROTTLE	1					
7	40008BM0T000	JACKET,RR. BRAKE CABLE	1					
8	B02000501020	SCREW M5X10	1					
9	40270BM0T000	Rr. BRAKE CABLE ASSY.	1					
10	40273BM0T000	PIN,STOP (GOLD COLORED)	1					
11	40271BM0T000	NUT, ADJUSTING	1					
12	40340BM0T001	JUNCTION BOX	1					
13	97900BMBT000	TEMPERATURE CONTROL	1					
14	B01090601460	BOLT 6X14MM	1					
15	40274BM0T000	SPRING (GOLD COLORED)	1					
16	40306BM0T000	CABLE, THROTTLE	1					
17	40307BM0T000	CABLE, CARBURETOR	1					
18	40308BM0T000	CABLE, OIL PUMP	1					



NO.	PART NO.	DESCRIPTION	QTY	DESIGN CHANGE		DATE	APPLY	REMARK
				INITIAL	END			
1	40500BM0T001	L. HANDLE SWITCH ASSY	1					
2	40002BMBT000	BRAKE LEVER, L. HANDLE	1					
3	40004BMAT001	LEVER MOUNTING SCREW (STAINLESS STEEL)	1					
4	B04000500060	U NUT 5MM	1					
5	91600BMAT000	L. STOP SWITCH COMP.	1					
6	40600BM0T001	R. HANDLE SWITCH ASSY	1					
7	40610BM0T000	R. HANDLE SWITCH COMP.	1					
8	40620BM0T000	R. SWITCH FIXING SEAT	1					
9	B02000502020	SCREW 5X20MM	2					
10	B02000502520	SCREW 5X25MM	2					
11	40510BM0T000	L. HANDLE SWITCH COMP.	1					
12	40520BM0T000	L. SWITCH FIXING SEAT	1					
13	B07000000500	WASHER 5MM	1					

F03 FRONT FORK/FR. CUSHION

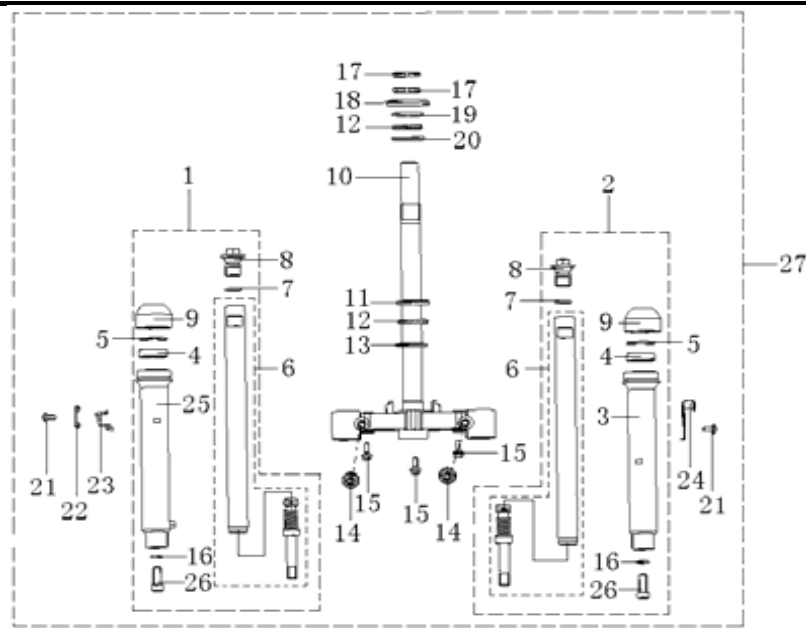
EXPLORER CRACKER 50



NO.	PART NO.	DESCRIPTION	QTY	DESIGN CHANGE		DATE	APPLY	REMARK
				INITIAL	END			
1	43300BMBT002	Fr. R. CUSHION ASSY.	1					
2	43200BMBT002	Fr. L. CUSHION ASSY.	1					
3	43220BMBT002	OUTER TUBE, 1	1					
4	43260K00P000	OIL SEAL	2					
5	43207K00P000	CLIP	2					
6	43230BMBT001	INNER TUBE COMP	2					
7	B190123200B0	O-RING 23.2X2.65MM	2					
8	43204BMBT001	CAP BOLT	2					
9	43290K00P000	SEAL, ANTI-DUST	2					
10	43100BMBT003	STEERING STEN, HANDLE	1					
11	43003BMBT000	BALL RACE, 2	2					
12	B06010150000	STEEL BALLφ5MM	42					
13	43004BMBT000	BALL RACE, 4	1					
14	B01091003060	BOLT 10X1.25X30MM	2					
15	B01090601660	BOLT 6X16MM	3					
16	43209JOAP000	GASKET	2					
17	43008BMBT000	NUT (GREEN)	2					
18	43005BMBT001	BALL RACE COVER	1					
19	43001BMBT002	BALL RACE, 2	1					
20	43002BMBT002	BALL RACE, 4	1					
21	B02060601260	SCREW 6X12MM	2					

F03-1 FRONT FORK/FR. CUSHION

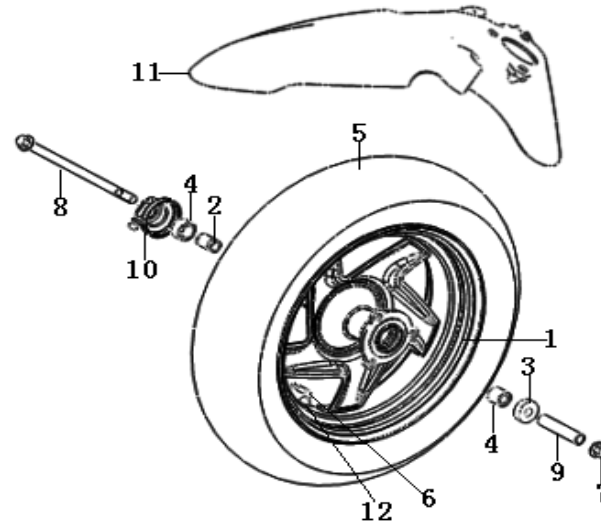
EXPLORER CRACKER 50



NO.	PART NO.	DESCRIPTION	QTY	DESIGN CHANGE		DATE	APPLY	REMARK
				INITIAL	END			
22	43151BM0T002	CLIP	1					
23	43150BMAT000	CABLE HOLDER	1					
24	43021BM0T002	FR. BRAKE HOSE HOLDER	1					
25	43320BMBT002	OUTER TUBE , CONNECTING	1					
26	B02050802565	SCREW 8X25MM	2					
27	43000BM0T002	FRONT FORK ASSY.	1					

F04 FRONT WHEEL

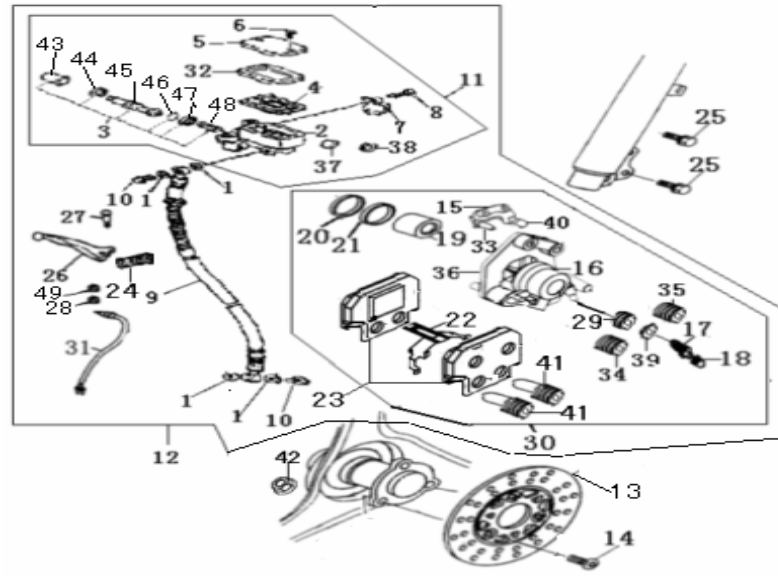
EXPLORER CRACKER 50



NO.	PART NO.	DESCRIPTION	QTY	DESIGN CHANGE		DATE	APPLY	REMARK
				INITIAL	END			
1	44100BM0TC10	FR. WHEEL RIM COMP.3.5x12"(SILVER)	1					
2	44600BM0T910	DISTANCE COLLAR COMP.	1					
3	44300BM0T000	OIL SEAL 22X35X7MM	1					
4	B12016020100	BALL BEARING 6201-2RS	2					
5	B140107D12AB	TIRE 120/70-12(E MARK)	1					
6	B1403Z201100	RIM VALVE	1					
7	B04171212563	U NUT 12X1.25MM	1					
8	44004G4CT000	FR. WHEEL COLL(GOLD COLORED) 12X1.25X22MM	1					
9	44005BM0T000	FR. WHEEL L. COLLAR	1					
10	44200BM0T000	SPEEDOMETER GEAR COMP.	1					
11	65100BM0TB21	FRONT FENDER COMP. (BK-SUM58R)	1					
	65100BM0TE51	FRONT FENDER COMP. (BU-YAM0019)						
12	B1404Z2011C0	CAP, VALVE	1					

F05 FRONT DISK BRAKE

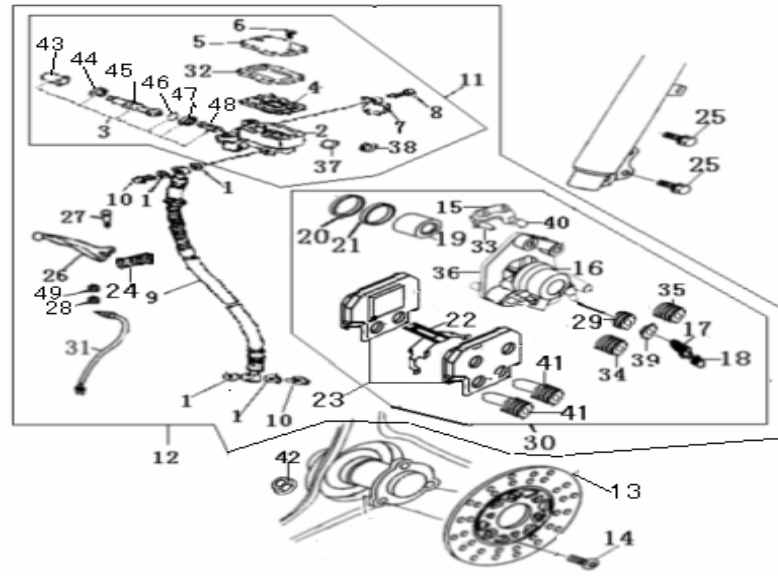
EXPLORER CRACKER 50



NO.	PART NO.	DESCRIPTION	QTY	DESIGN CHANGE		DATE	APPLY	REMARK
				INITIAL	END			
1	45029J00P000	PLATE WASHER	4					
2	45009BMBT000	MASTER CYLINDER BODY	1					
3	45140J00P000	PISTON ASSY.	1					
4	45011J1DT000	RESERVOIR DIAPHRAGM	1					
5	45012BMBT000	RESERVOIR CAP	1					
6	B02010401025	SCREW 4X10MM	2					
7	45023J1DT000	MASTER CYLINDER BRACKET	1					
8	B01070602365	BOLT 6X23MM	2					
9	45200BMBT000	FR. BRAKE HOSE	1					
10	45037J00P000	UNION BOLT	2					
11	45400BMBTB30	MASTER CYLINDER ASSY.	1					
12	45000J4FTG11	MASTER CYLINDER & CALIPER ASSY	1					
13	45033BMBTC20	BRAKE DISC (SILVER)	1					
14	45036BMBT000	BOLT	3					
15	45062BMBT000	BLOCKING MASS	1					
16	45001J4FTG10	CALIPER COMP (GOLDEN)	1					
17	45019J00P000	BREED SCREW	1					
18	45021J00P000	BREED SCREW CAP	1					
19	45006J4FT000	PISTON, FR. CALIPER	1					
20	45008J00P000	SEAL, FR. CALIPER	1					
21	45007J3AT000	DUST SEAL, FR. CALIPER	1					

F05-1 FRONT DISK BRAKE

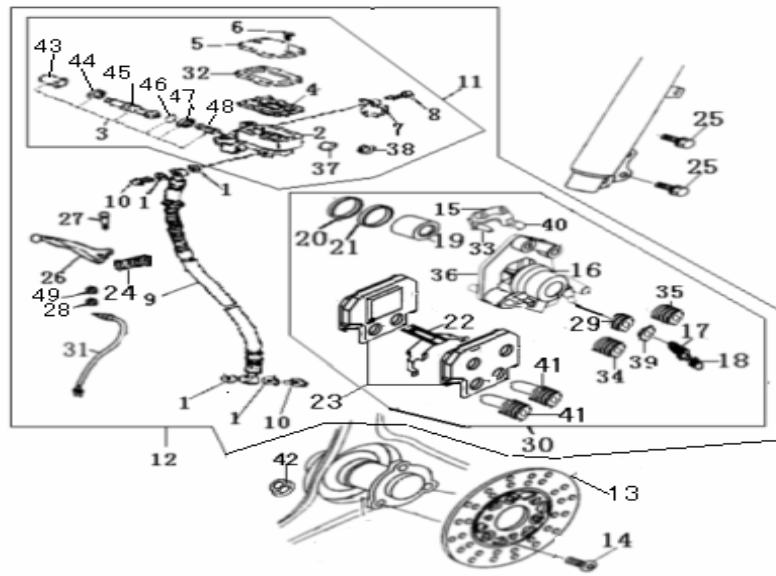
EXPLORER CRACKER 50



NO.	PART NO.	DESCRIPTION	QTY	DESIGN CHANGE		DATE	APPLY	REMARK
				INITIAL	END			
22	45017G0CP000	PAD SUPPORT,1	1					
23	45110J4FT000	BRAKE PAD SET, NON-ASBESTOS	1SET					
24	45057G0KP000	TENSION SPRING,LEVER	1					
25	45039J4FT00	BOLT 8X36MM	2					
26	45022BMBT001	BRAKE LEVER, FR. DISK	1					
27	40024J1CT000	BOLT 6MM	1					
28	B04160600065	NUT 6MM	1					
29	45015J1CT000	DUST COVER I, GUIDE POLE	1					
30	45500J4FTG10	FR. CALIPER ASSY. (GOLDEN)	1					
31	45300J3AT000	R. STOP SWITCH ASSY.	1					
32	45013J1DT000	WASHER, CYLINDER	1					
33	45014G0CT000	GUIDE AXLE	2					
34	45015K00P000	DUST COVER I, GUIDE POLE	1					
35	45016G0CP000	DUST COVER II, GUIDE POLE	1					
36	45025J4FT000	CONNECTING BRACKET	1					
37	45170F00P000	LENS, OIL INSPECTION	1					
38	45031K00P000	SEAL, OIL INSPECTION LENS	1					
39	B07060000800	WAVE WASHER	1					
40	45072G0CP000	GUIDE AXLE	1					
41	45053G0CP000	GUIDE POLE	2					
42	B04171012560	NUT 10X1.25MM	3					

F05-2 FRONT DISK BRAKE

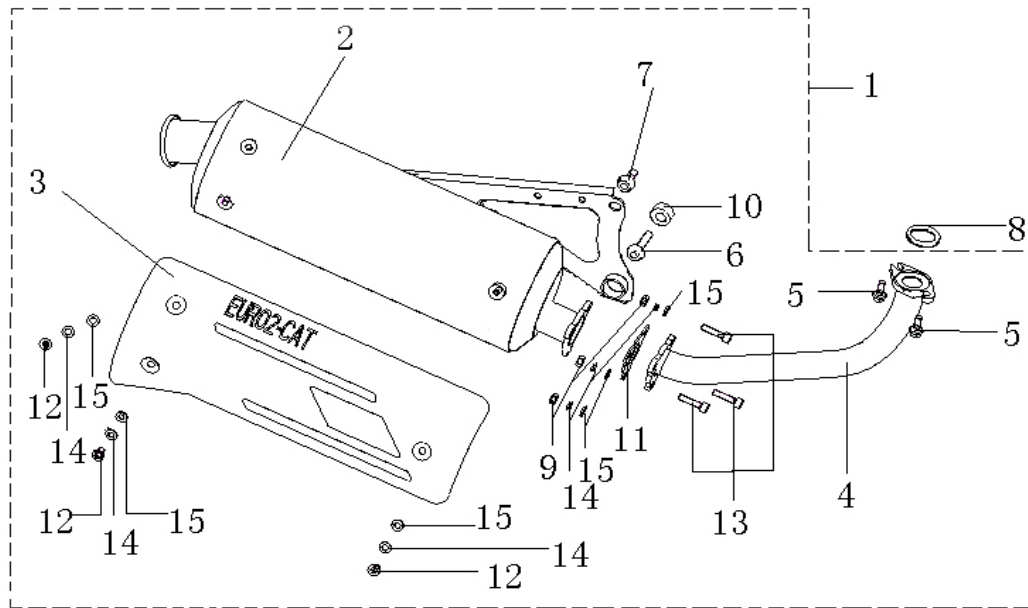
EXPLORER CRACKER 50



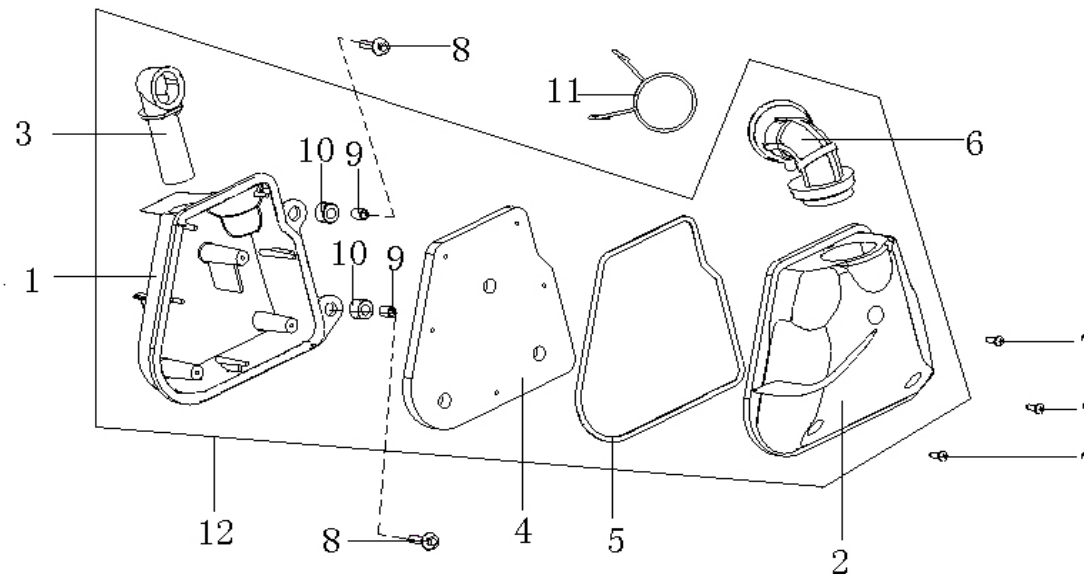
NO.	PART NO.	DESCRIPTION	QTY	DESIGN CHANGE		DATE	APPLY	REMARK
				INITIAL	END			
43	45003J00P000	DUST SEAL,PLUNGER	1					
44	45028K00P000	CIR-CLIP	1					
45	45002J00P000	PLUNGER	1					
46	45004J00P000	GROMMET I	1					
47	45005J00P000	GROMMET II	1					
48	45055J00P000	SPRING	1					
49	B07000000605	WASHER 6MM	1					

F06 EXHAUST MUFFLER ASSY

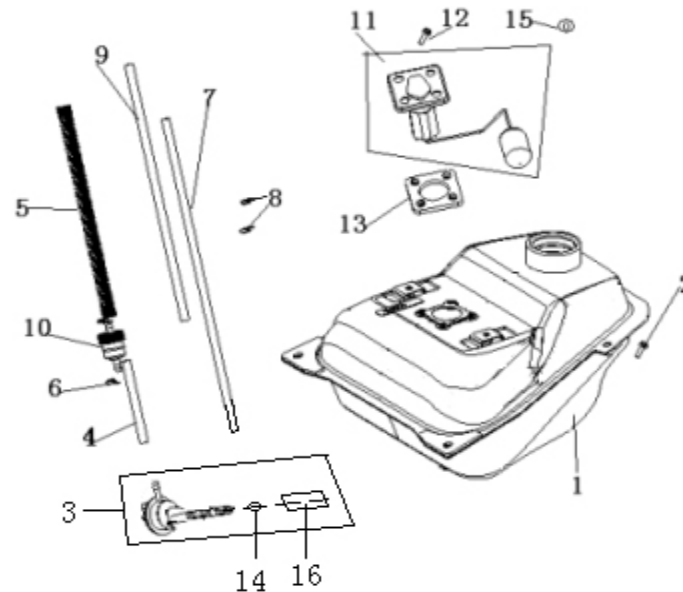
EXPLORER CRACKER 50



NO.	PART NO.	DESCRIPTION	QTY	DESIGN CHANGE		DATE	APPLY	REMARK
				INITIAL	END			
1	47000BMBT003	EXHAUST MUFFLER ASSY.	1					
2	47200BMBT001	MUFFLER COMP.	1					
3	47761BMBT000	MUFFLER PROCTOR (STAINLESS)	1					
4	47500BMBT000	EXHAUST PIPE COMP (STAINLESS)	1					
5	B01090601661	BOLT 6X16MM	2					
6	B01090803561	BOLT 8X35MM	1					
7	B01090802061	BOLT 8X20MM	1					
8	47800BMBT001	GASKET, EXHAUST PIPE	1					
9	B04000600061	NUT 6MM	3					
10	47800B0ET001	BUSH, MUFFLER FIXING	1					
11	47490BMBT000	GASKET, MUFFLER	1					
12	B02000601061	SCREW 6X10MM	3					
13	B02050602561	SCREW 6X25MM	3					
14	B07000000601	WASHER 6 MM	6					
15	B07030000601	WASHER 6MM	6					



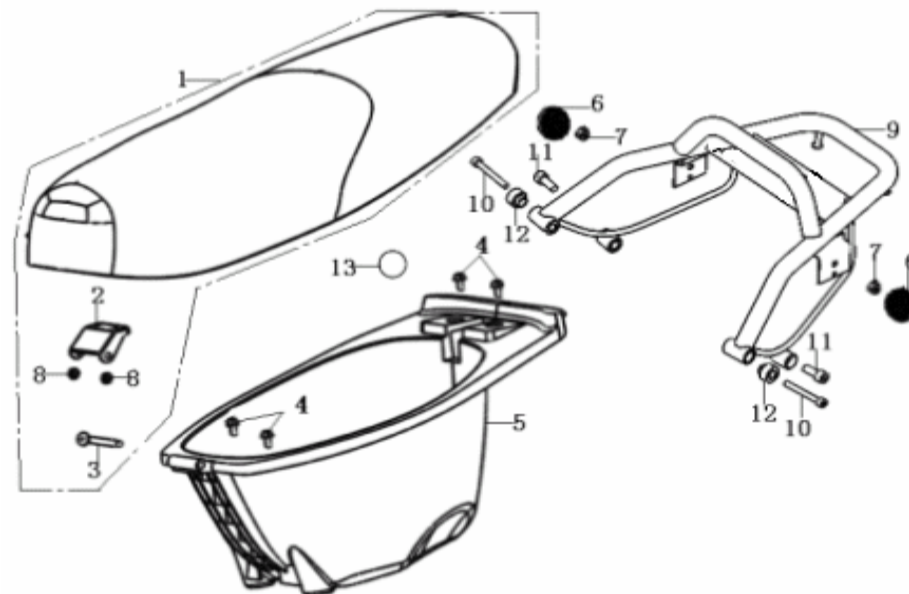
NO.	PART NO.	DESCRIPTION	QTY	DESIGN CHANGE		DATE	APPLY	REMARK
				INITIAL	END			
1	49101BMBT000	CASE, AIR CLEANER	1					
2	49001BMBT000	COVER, AIR CLEANER	1					
3	49002BMBT000	GUIDE PIPE	1					
4	49200BMBT000	AIR ELEMENT	1					
5	49103BM0T001	SEAL GASKET	1					
6	49005BM0T001	CONNECTING PIPE	1					
7	B05074202000	TAPPING SCREW 4.2X20MM	3					
8	B01090602060	BOLT 6X20MM	2					
9	49023BM0T000	BUSH	2					
10	49022BM0T000	GROMMET	2					
11	49016BM0T000	CLIP 42.5MM (GOLD COLORED)	1					
12	49000BMBT000	AIR CLEANER ASSY.	1					



NO.	PART NO.	DESCRIPTION	QTY	DESIGN CHANGE		DATE	APPLY	REMARK
				INITIAL	END			
1	50100BM0T000	FUEL TANK COMP.	1					
2	B01090601660	BOLT 6X16MM	4					
3	50300BM0T000	FUEL COCK ASSY.	1					
4	50301BM0T000	FUEL HOSE, 1 (4.5X8.5)	1					
5	50316BM0T000	SPRING, ISOLATE	1					
6	50307BM0T000	CLIP 8MM	4					
7	50302BM0T000	VACUUM HOSE, 1 (4X8)	1					
8	50306BM0T000	CLIP 7MM	2					
9	50303BM0T000	FUEL HOSE, 2 (4.5X8.5)	1					
10	50340BMAT000	FUEL FILTER ASSY.	1					
11	50800BM0T000	FUEL UNIT COMP	1					
12	50801BM0T001	BOLT 5X14MM	4					
13	50004BM0T000	GASKET, FUEL UNIT	1					
14	50312JOET000	RING SEAL, FUEL COCK	1					
15	B07020000500	WASHER 5MM	4					
16	50352BM0T000	FUEL FILTER	1					

F09 DOUBLE SEAT

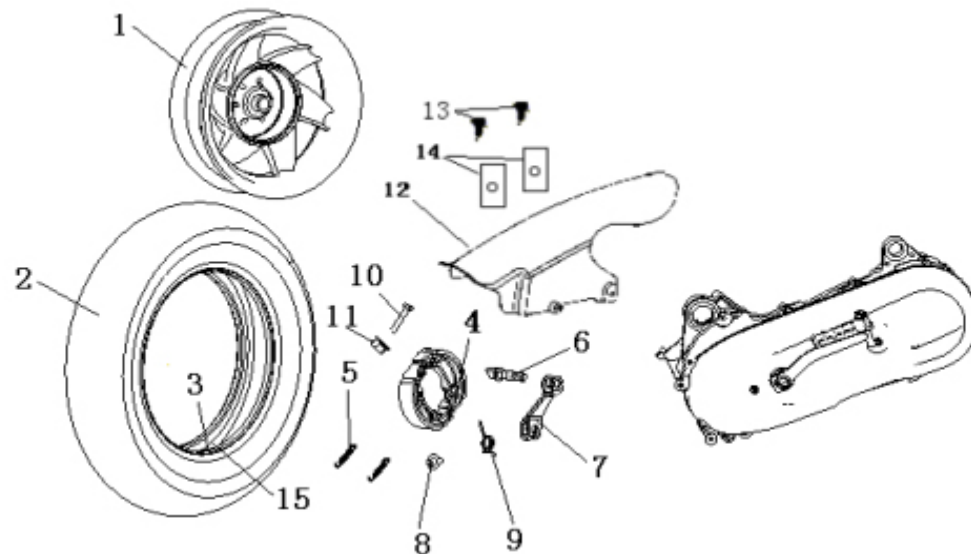
EXPLORER CRACKER 50



NO.	PART NO.	DESCRIPTION	QTY	DESIGN CHANGE		DATE	APPLY	REMARK
				INITIAL	END			
1	51100BM0T001	DOUBLE SEAT ASSY.	1					
2	51080BMBT000	SEAT HINGE	1					
3	51001BM0T000	SEAT HINGE BOLT	1					
4	B01090601660	FLANGE BOLT 6X16MM	4					
5	51004BM0T001	LUGGAGE BOX	1					
6	86300BMAT000	REAR REFLECTOR (EMARK)	2					
7	B04070600060	NUT 6MM	2					
8	B04070600063	NUT 6MM	2					
9	52100BM0TB40	Rr. LUGGAGE CARRIER COMP.	1					
10	B02050605560	SCREW 6X55MM	2					
11	B02050802060	SCREW 8X20MM	2					
12	52009BM0T000	BUSH, REAR CARRIER	2					
13	08031BM0T000	O-RING 75X3.1MM	1					

F10 REAR WHEEL

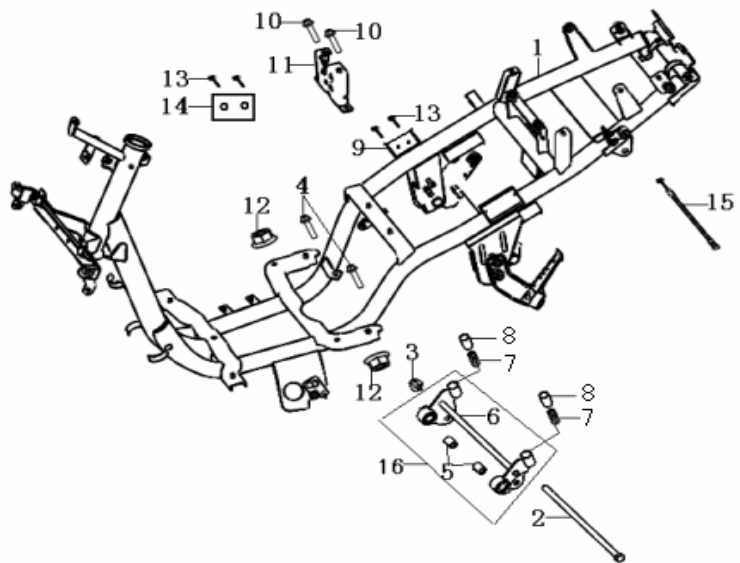
EXPLORER CRACKER 50



NO.	PART NO.	DESCRIPTION	QTY	DESIGN CHANGE		DATE	APPLY	REMARK
				INITIAL	END			
1	54100BM0TC10	RR. RIM COMP.3.5x12" (SILVER)	1					
2	B140108D12BB	TIRE 130/70-12 (E MARK)	1					
3	B1403Z201100	RIM VALVE Z2-01-1	1					
4	54200BMAT000	BRAKE SHOE KIT	2					
5	54001B0DT000	SPRING, BRAKE SHOE	2					
6	54003BM0T000	CAM SHAFT, 2	1					
7	54007BM0T000	CAM SHAFT LEVER, 2	1					
8	54002BM0T000	INDICATOR PLATE	1					
9	54008BM0T000	TENSION SPRING	1					
10	08012BM0T000	HEX. BOLT 6X30MM (GOLD COLORED)	1					
11	B04171615063	U NUT 16X1.5MM	1					
12	65701BMBT000	REAR FENDER	1					
13	B01090602060	BOLT 6X20MM (STAINLESS STEEL)	2					
14	65803JOET000	SPRING NUT 6MM (GREEN)	2					
15	B1404Z2011C0	CAP, VALVE	1					

F11 FRAME BODY

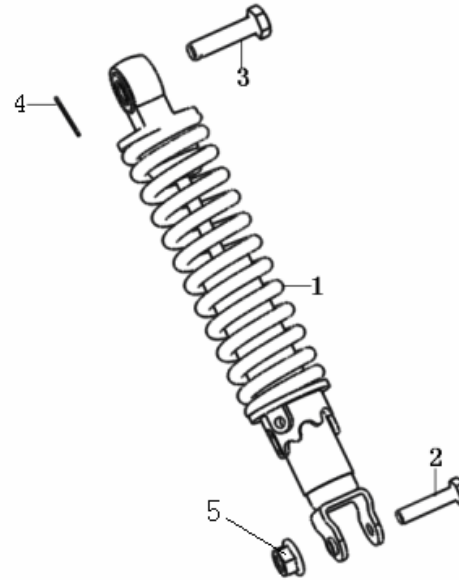
EXPLORER CRACKER 50



NO.	PART NO.	DESCRIPTION	QTY	DESIGN CHANGE		DATE	APPLY	REMARK
				INITIAL	END			
1	57100BM0T000	FRAME COMP.	1					
2	58303BM0T000	E/G MOUNTING BOLT, 1 (GOLD COLORED M4X4.25X80)	1					
3	B04171212563	U NUT 12X1.25MM	1					
4	58301BM0T000	E/G MOUNTING BOLT, 2(BLACK)	2					
5	58350BMAT000	BUFFER, ENGINE BRACKET	2					
6	58320BM0T000	E/G HANGER COMP.	1					
7	58302B0DT000	DAMPER	2					
8	58304BM0T000	SPRING	2					
9	57001BM0T00A	FRAME BODY NO. PLATE (45KM)	1					
10	B01090602060	BOLT 6X20MM	2					
11	58800BM0T000	SEAT CATCH COMP.	1					
12	B04171012565	NUT 10 X1.25MM	2					
13	B100432007P0	RIVET 3.2X7MM	4					
14	57002BM0T00A	ANTI-TAMPERING PLATE	1					
15	58900BM0T000	SEAT CABLE	1					
16	58360BM0T000	E/G HANGER ASSY	1					

F12 REAR SHOCK ABSORBER

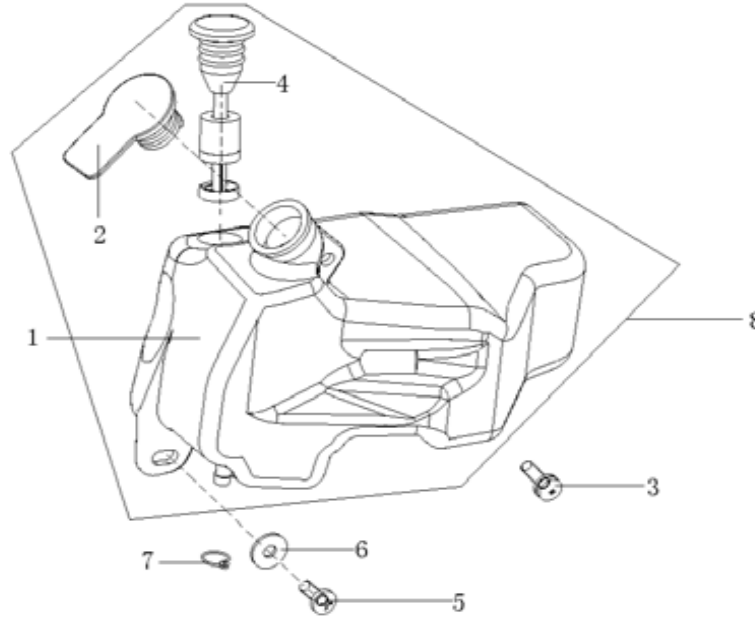
EXPLORER CRACKER 50



NO.	PART NO.	DESCRIPTION	QTY	DESIGN CHANGE		DATE	APPLY	REMARK
				INITIAL	END			
1	63100BM0TC10	RR. ABSORBER ASSY. (SILVER)	1					
2	63015J0ET000	BOLT 8X31MM	1					
3	B01141004060	BOLT 10X1.25 X40MM	1					
4	B04071012560	NUT 10X1.25MM	1					
5	63016B0DT001	SPLIT PIN 1.2X22MM	1					

F13 OIL TANK

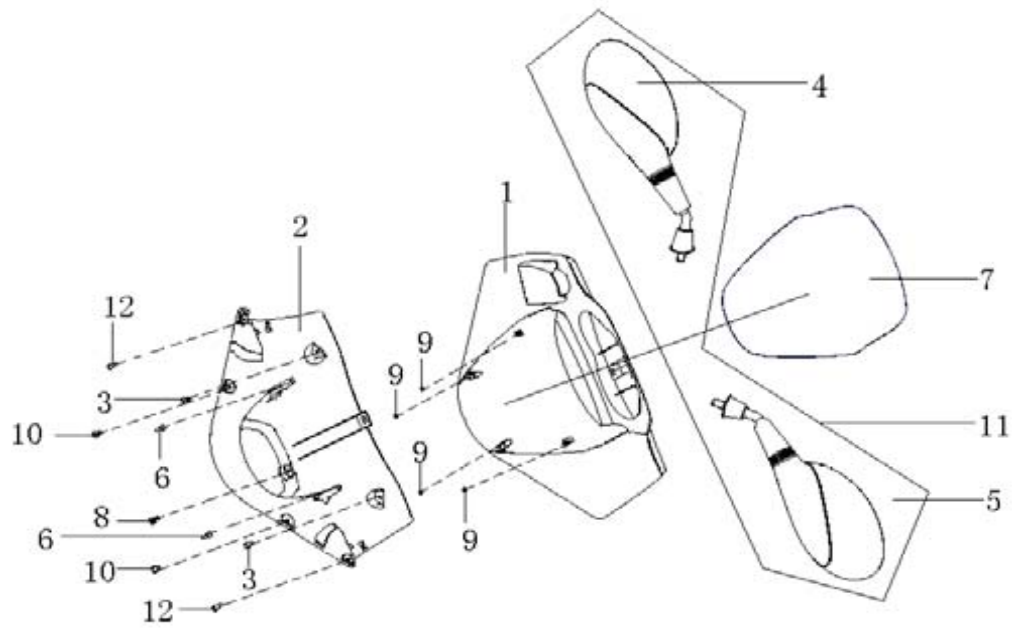
EXPLORER CRACKER 50



NO.	PART NO.	DESCRIPTION	QTY	DESIGN CHANGE		DATE	APPLY	REMARK
				INITIAL	END			
1	64001BMAT000	OIL TANK COMP	1					
2	64090BMAT000	CAP, OIL TANK	1					
3	B13010601600	SCREW W/WASHER 6X16	1					
4	64100BMAT000	OIL LEVER GAUGE COMP.	1					
5	B02000601620	PAN HEAD SCREW 6X16	1					
6	B07020000600	WASHER 6	1					
7	50307BM0T000	CLIP 8	1					
8	64000BMAT000	OIL TANK ASSY	1					

F14 HANDLE COVER

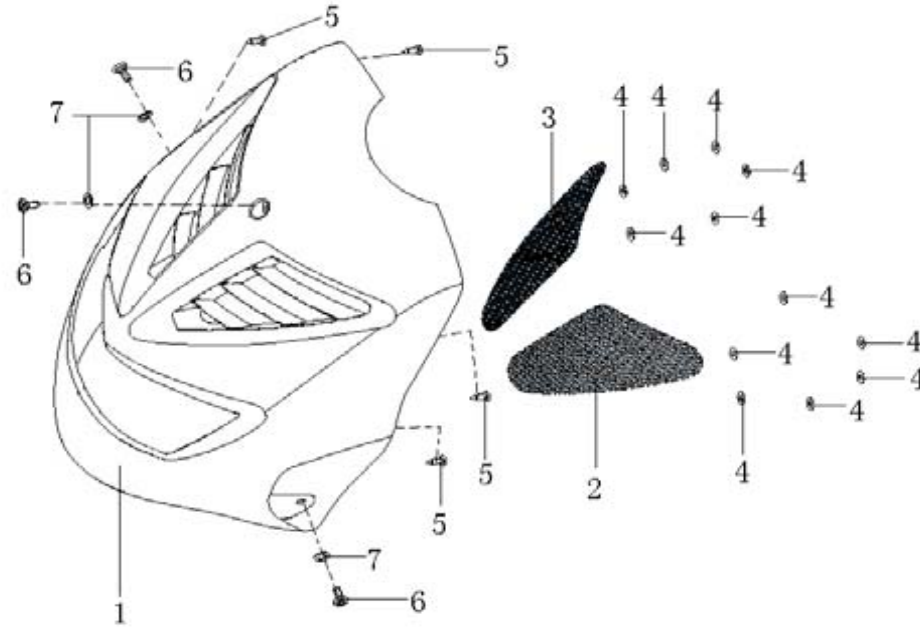
EXPLORER CRACKER 50



NO.	PART NO.	DESCRIPTION	QTY	DESIGN CHANGE		DATE	APPLY	REMARK
				INITIAL	END			
1	65201BMBTB23	FR. HANDLE COVER (BK-SUM58R)	1					
	65201BMBTE53	FR. HANDLE COVER (BU-YAM0019)						
2	65202BM0T002	RR. HANDLE COVER	1					
3	B05075001600	TAPPING SCREW 5X16	2					
4	40470BMBT001	R. BACK MIRROR	1					
5	40460BMBT001	L. BACK MIRROR	1					
6	B05074001600	SCREW 4X16MM	2					
7	65203BMBT000	METER VISOR	1					
8	B13010501400	SCREW 5X14MM	1					
9	B05073001000	SCREW 3X10MM	4					
10	B05075001200	SCREW 5X12MM	2					
11	40450BMBT001	BACK MIRROR ASSY	1					
12	B05074001200	SCREW 4X12MM	2					

F15 FRONT COVER

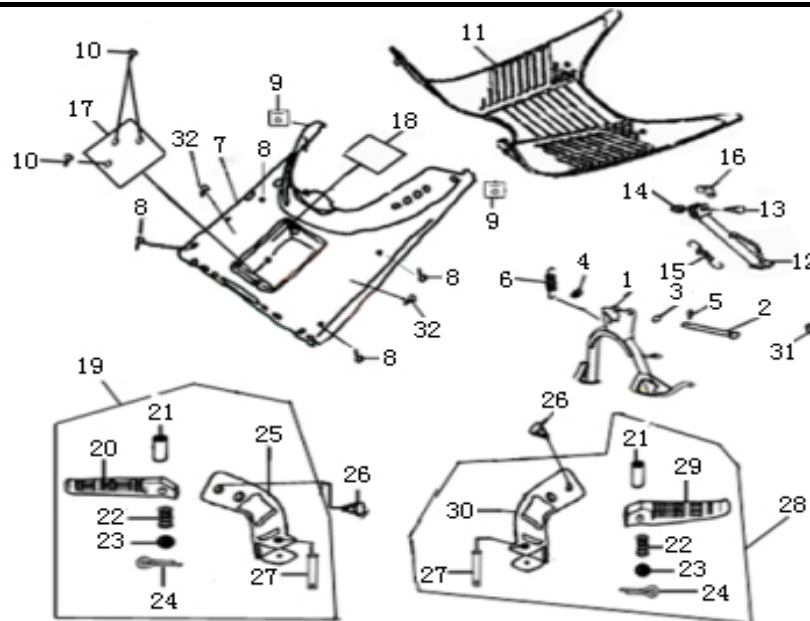
EXPLORER CRACKER 50



NO.	PART NO.	DESCRIPTION	QTY	DESIGN CHANGE		DATE	APPLY	REMARK
				INITIAL	END			
1	65301BM0TB21	FRONT COVER (BK-SUM58R)	1					
	65301BM0TE51	FRONT COVER (BU-YAM0019)						
2	65305BM0T000	R. PROTECTOR, FRONT COVER	1					
3	65306BM0T000	L. PROTECTOR, FRONT COVER	1					
4	65311BM0T000	SPEED NUT	12					
5	B05075001600	SCREW 5X16MM	4					
6	65314BM0T001	SCREW 6X14MM	3					
7	08027BM0T000	PLASTIC WASHER	3					

F16 FLOOR PANEL/FOOT REST

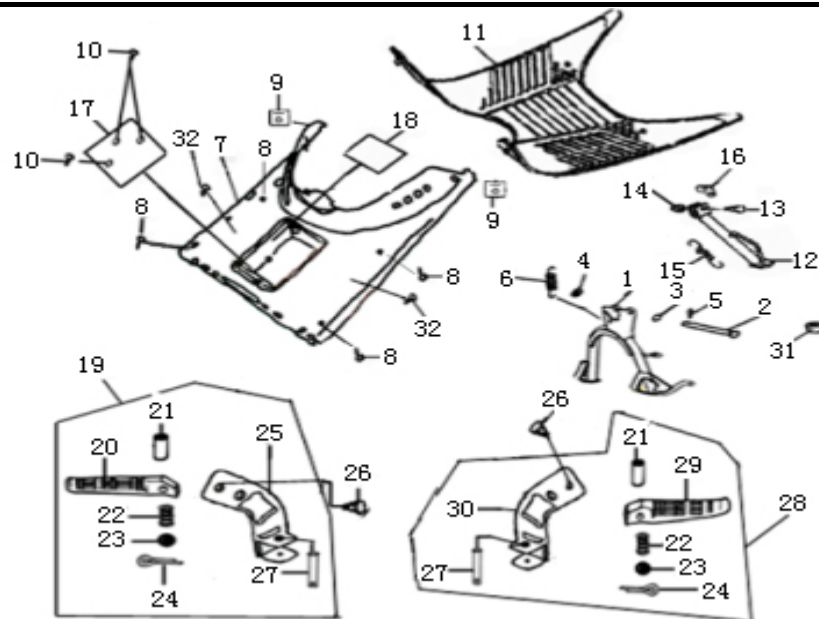
EXPLORER CRACKER 50



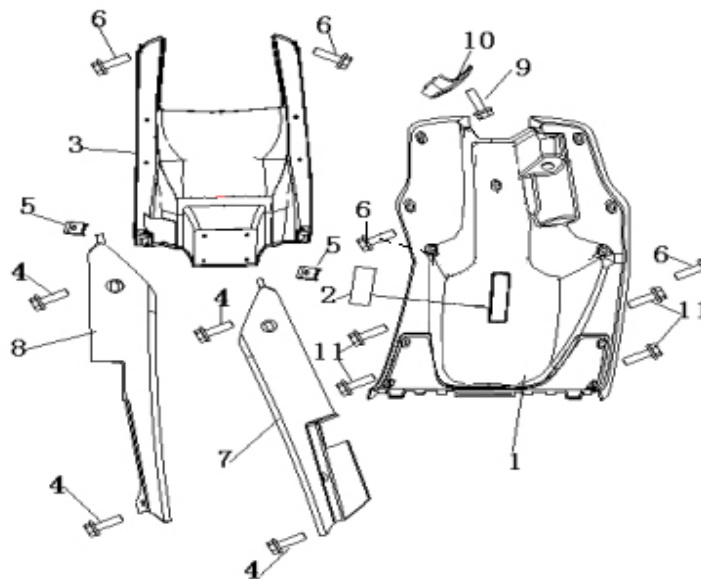
NO.	PART NO.	DESCRIPTION	QTY	DESIGN CHANGE		DATE	APPLY	REMARK
				INITIAL	END			
1	58520BM0T002	MAIN STAND COMP.	1					
2	58590BM0T000	AXLE, MAIN STAND	1					
3	B190101000A0	O-RING 10X1.8MM	1					
4	58508B0DT000	PLATE WASHER	1					
5	63016B0DT000	PIN 1.2X22 MM	1					
6	58502BM0T001	SPRING, MAIN STAND	1					
7	65401BM0T000	FLOOR PANEL	1					
8	08017J4AT000	BOLT 6X20MM	4					
9	65802BMAT000	SPRING NUT 5MM (GREEN)	2					
10	B05075001200	SCREW 5X12MM	3					
11	65415BM0T001	FLOOR MAT	1					
12	58700BM0T000	SIDE STAND COMP.	1					
13	57005BMBT000	BOLT	1					
14	B04070800060	U NUT 8MM	1					
15	57004BM0T000	SPRING,SIDE STAND	1					
16	57006BM0T000	HOOK	1					
17	65813BM0T000	BATTERY COVER	1					
18	65811BM0T000	BATTERY DAMPER	1					
19	58280BM0T001	R. FOOTREST ASSY	1					
20	58286BMAT000	R. FOOTREST COMP	1					
21	58264BMAT000	COLLAR	2					
22	58262BMAT000	SPRING, FOOTREST	2					
23	B06010200000	STEEL BALL 1/4"	2					

F16-1 FLOOR PANEL/FOOT REST

EXPLORER CRACKER 50



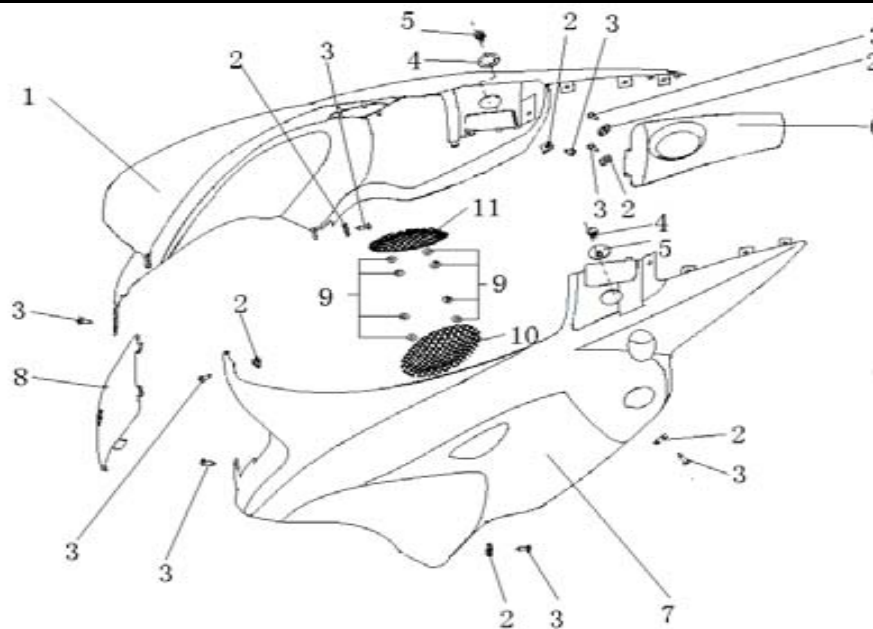
NO.	PART NO.	DESCRIPTION	QTY	DESIGN CHANGE		DATE	APPLY	REMARK
				INITIAL	END			
24	B090018018A0	COTTER PIN 1.8X18MM	2					
25	58310BM0T000	R.H FOOTREST BRKT.	1					
26	B01090802060	BOLT 8X20MM	2					
27	58213BMAT000	PIN	2					
28	58260BM0T001	L.FOOTREST ASSY.	1					
29	58266BMAT000	L.FOOTREST COMP	1					
30	58210BM0T000	L. FOOTREST BRKT.	1					
31	58507BM0T000	DAMPER	1					
32	B05075001600	SCREW 5X16MM	2					



NO.	PART NO.	DESCRIPTION	QTY	DESIGN CHANGE		DATE	APPLY	REMARK
				INITIAL	END			
1	65402BM0T000	LEG SHIELD,	1					
2	65403BM0T000	FRAME NUMBER LID	1					
3	65406BM0T000	UNDER COVER	1					
4	B05075001605	SCREW 5X16MM	4					
5	65802BMAT000	SPRING NUT 5MM (GREEN)	2					
6	B01090601265	BOLT 6X12MM	4					
7	65408BM0T000	FR. R. SIDE COVER	1					
8	65409BM0T000	FR. L. SIDE COVER	1					
9	B01090602565	BOLT 6X25MM	1					
10	51011BM0T000	HOOK, HELMET	1					
11	B05074801605	SCREW 4.8X16MM	4					

F18 BODY COVER

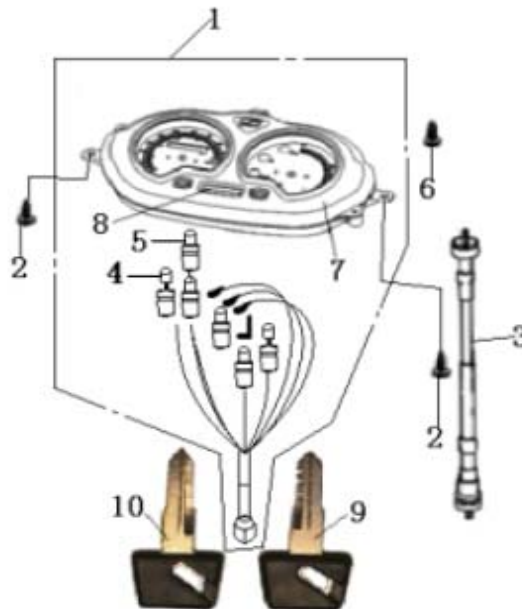
EXPLORER CRACKER 50



NO.	PART NO.	DESCRIPTION	QTY	DESIGN CHANGE		DATE	APPLY	REMARK
				INITIAL	END			
1	65602BM0TB20	R. BODY COVER (BK-SUM58R)	1					
	65602BM0TE50	R. BODY COVER (BU-YAM0019)						
2	B05074801600	SCREW 4.8X16MM	7					
3	65802BMAT000	SPRING NUT 5MM(GREEN)	9					
4	08021BM0T000	WASHER	2					
5	B13010601203	SCREW 6X12MM	2					
6	65605BM0TB20	REAR COVER (BK-YUM58R)	1					
	65605BM0TE50	REAR COVER (BU-YAM0019)						
7	65601BM0TB20	L. BODY COVER, (BK-SUM58R)	1					
	65601BM0TE50	L. BODY COVER, (YAM0019)						
8	65619BM0TB20	CENTER COVER, (BK-SUM58R)	1					
	65619BM0TE50	CENTER COVER, (BU-YAM0019)						
9	65311BM0T000	SPEED NUT	8					
10	65307BM0T000	L. PROTECTOR, BODY COVER	1					
11	65308BM0T000	R. PROTECTOR, BODY COVER	1					

F19 SPEEDOMETER

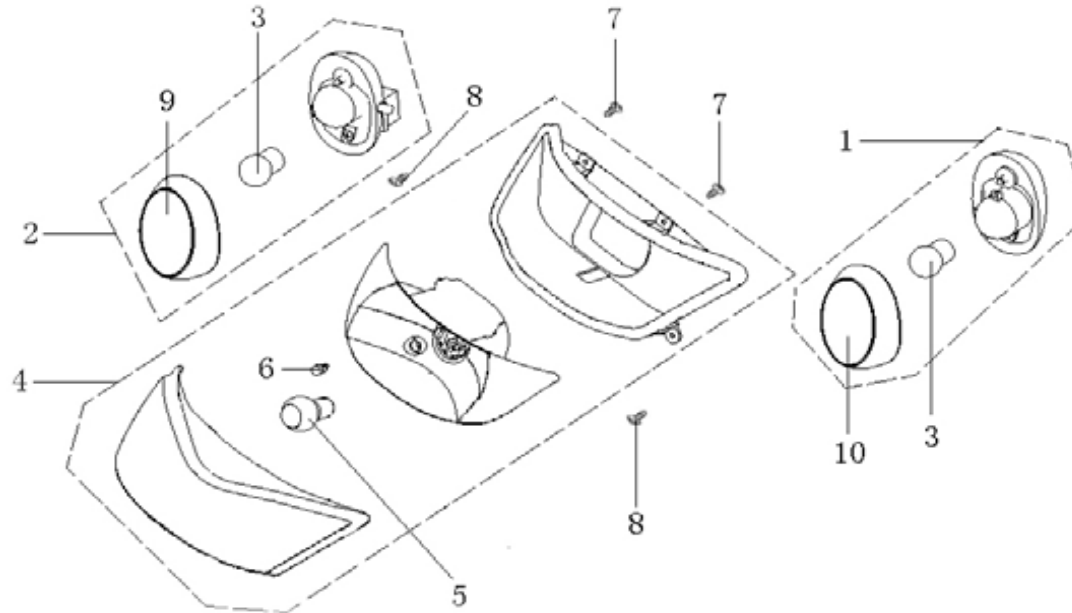
EXPLORER CRACKER 50



NO.	PART NO.	DESCRIPTION	QTY	DESIGN CHANGE		DATE	APPLY	REMARK
				INITIAL	END			
1	70000BMBT001	SPEEDOMETER ASSY	1					
2	B05074001200	SCREW 4X12MM	2					
3	72900BMBT000	SPEEDOMETER CABLE COMP.	1					
4	70001H70X000	BULB 12V-3W	3					
5	70002H70X000	BULB 12V-1.7W	3					
6	B05074001000	SCREW 4X10MM	1					
7	70003BMBT001	SPEEDOMETER COVER	1					
8	76000BMBT001	DIGITAL LED CLOCK	1					
9	88900BMT001	BLANK KEY, LEFT	1					
10	88900BMBT001	BLANK KEY, RIGHT	1					

F20 HEAD LIGHT, FRONT WINKER

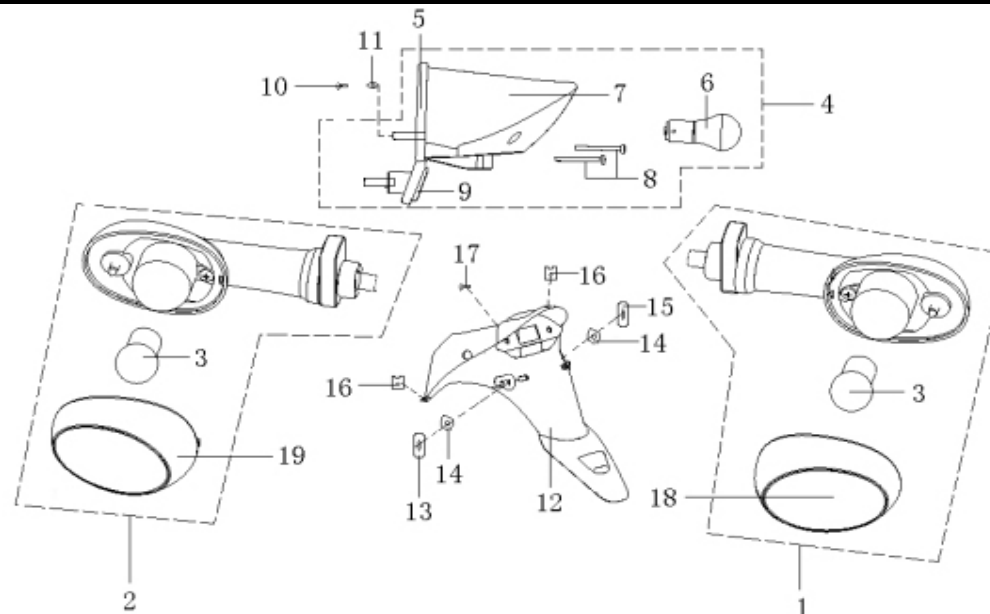
EXPLORER CRACKER 50



NO.	PART NO.	DESCRIPTION	QTY	DESIGN CHANGE		DATE	APPLY	REMARK
				INITIAL	END			
1	81100BM0T003	FR. L. WINKER ASSY (E MARK)	1					
2	81300BM0T003	FR. R. WINKER ASSY (E MARK)	1					
3	81501H70X001	BULB, 12V/10W	2					
4	80000BM0T003	HEAD LIGHT ASSY (E MARK)	1					
5	80002BM0T001	BULB12V-35/35W	1					
6	80023JL0T001	BULB 12V/5W	1					
7	B05075001205	SCREW 5X12MM	2					
8	B05075001605	SCREW 5X16MM	2					
9	81302BM0T002	FR. R. WINKERLENS (E MARK)	1					
10	81102BM0T002	FR. L. WINKER LENS (E MARK)	1					

F21 TAIL LIGHT

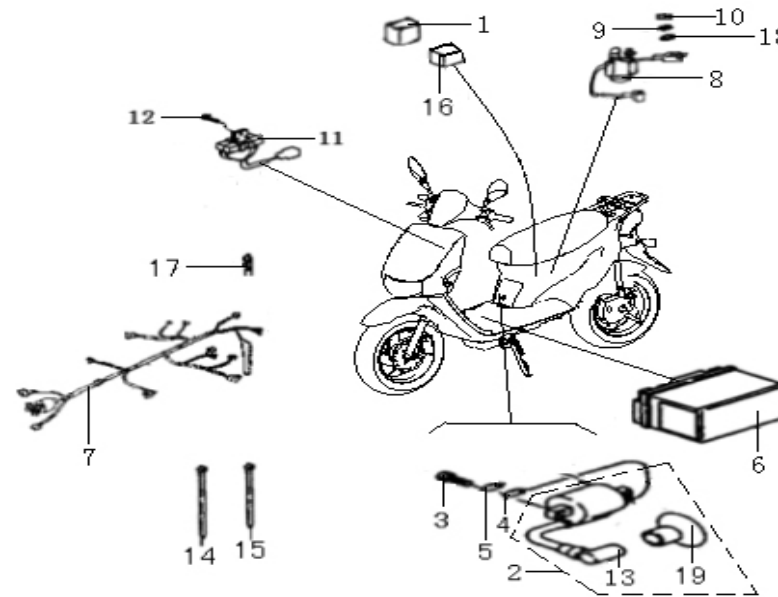
EXPLORER CRACKER 50



NO.	PART NO.	DESCRIPTION	QTY	DESIGN CHANGE		DATE	APPLY	REMARK
				INITIAL	END			
1	81700BM0T003	RR. R. WINKER ASSY (E-MARK)	1					
2	81500BM0T003	RR. L WINKER ASSY (E-MARK)	1					
3	81501H70X001	BULB, 12V/10W	2					
4	82000BM0T003	TAIL LIGHT ASSY (E-MARK)	1					
5	82003BM0T001	TAIL LIGHT BASE	1					
6	82005JL0T001	BULB 12V 21/5W	1					
7	82008BM0T002	TAIL LIGHT LENS (E-MARK)	1					
8	B05074002003	SCREW 4X20MM	2					
9	82900BM0T001	WIRE COMP.,TAIL LIGHT	1					
10	B04070600065	NUT 6MM	3					
11	82011G00P000	RUBBER WASHER	3					
12	08202BM0T000	LICENSE BRACKET	1					
13	81511BM0T000	RR. L. WINKER RUBBER GASKET	1					
14	B07030001005	WASHER 10MM	2					
15	81708BM0T000	RR. R. WINKER RUBBER GASKET	1					
16	65802BM0T000	SPRING NUT 5MM	2					
17	B04061012555	NUT 10X1.25MM	2					
18	81702BM0T003	RR.R. WINKER LENS (E-MARK)	1					
19	81502BM0T003	RR.L. WINKER LENS(E-MARK)	1					

F22 ELECTRIC EQUIPMENT I

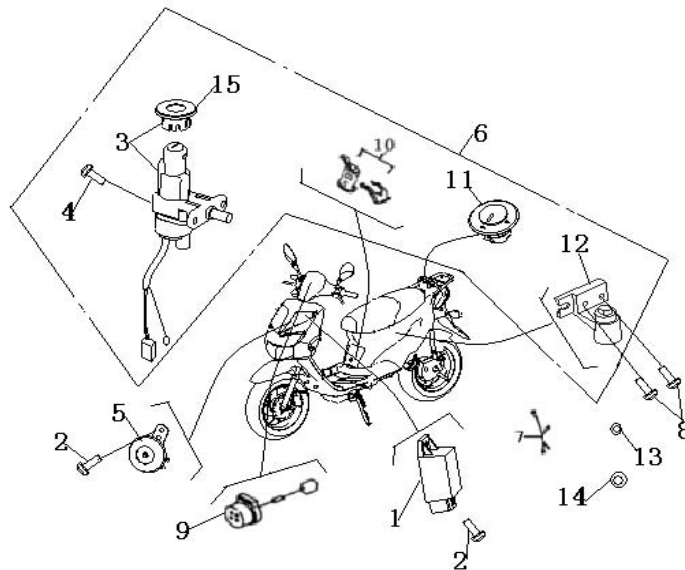
EXPLORER CRACKER 50



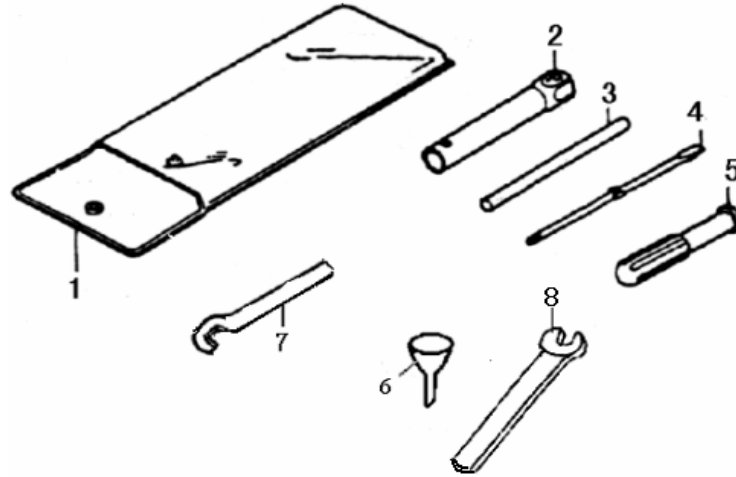
NO.	PART NO.	DESCRIPTION	QTY	DESIGN CHANGE		DATE	APPLY	REMARK
				INITIAL	END			
1	97701BM0T001	C.D.I. UNIT COMP.	1					
2	96200BMAT000	IGNITION COIL ASSY	1					
3	B02000502020	SCRAW 5X20MM	1					
4	B07030000500	WASHER 5MM	1					
5	B07000000500	WASHER 5MM	1					
6	96100BM0T000	BATTERY COMP.	1					
7	92000BM0T002	WIRE HARNESS COMP.	1					
8	94000BM0T000	STARTER RELAY COMP.	1					
9	B07000000600	SPRING WASHER 6MM	1					
10	B04000600060	NUT 6MM	1					
11	96600BMAT000	RESISTOR COMP.	1					
12	B01090601260	BOLT 6X12MM	1					
13	96202BMAT000	IGNITION COIL COMP	1					
14	96001K00P000	BAND 250MM	4					
15	96002K00P000	BAND 150MM	3					
16	96007BM0T000	CUSHION, C.D.I.	1					
17	96800BMAT000	FUSE 8AH , 250V	1					
18	B07030000600	WASHER 6MM	1					
19	96201BMAT000	CAP, SPARK PLUG	1					

F23 ELECTRIC EQUIPMENT II

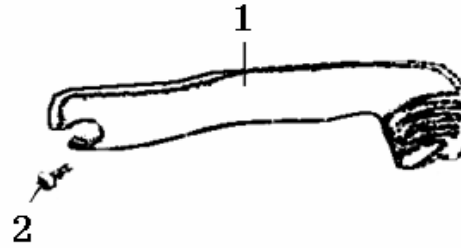
EXPLORER CRACKER 50



NO.	PART NO.	DESCRIPTION	QTY	DESIGN CHANGE		DATE	APPLY	REMARK
				INITIAL	END			
1	98801B09F000	REGULATOR COMP.	1					
2	B01090601260	BOLT 6X12MM	2					
3	88100BM0T000	MAIN SWITCH COMP.	1					
4	08002BMBT000	BOLT 6X12MM	2					
5	95000BMDT000	HORN (E MARK)	1					
6	88000BM0T000	LOCK SET	1					
7	96900BM0T000	EARTH WIRE	1					
8	B13010501400	BOLT 5X14MM	2					
9	96500BM0T000	WINKER (FLASHER) RELAY COMP.	1					
10	88500BM0T000	OIL TANK LOCK	1					
11	88400BM0T001	FUEL TANK LOCK	1					
12	88800BM0T000	SEAT LOCK	1					
13	B07000000600	WASHER 6MM	1					
14	B07030000600	WASHER 6MM	1					
15	88101BM0T000	COVER MAIN SWITCH	1					



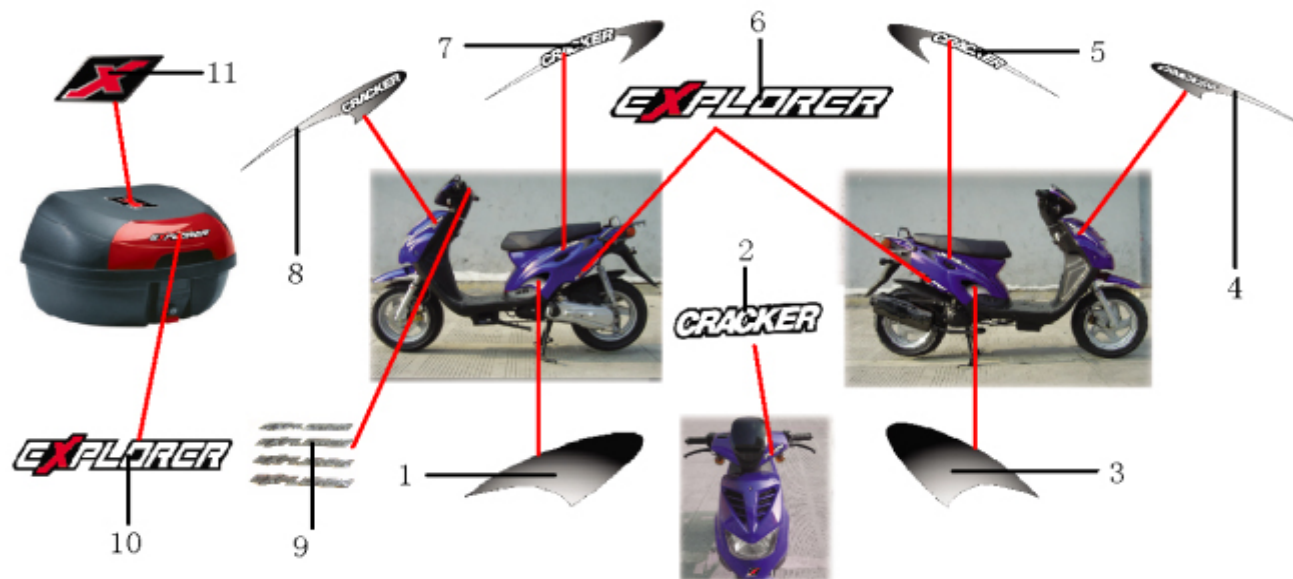
NO.	PART NO.	DESCRIPTION	QTY	DESIGN CHANGE		DATE	APPLY	REMARK
				INITIAL	END			
1	02110BM0T000	TOOL BAG	1					
2	02102BM0T000	SPARK PLUG SOCKET	1					
3	02101BM0T000	SPARK PLUG SOCKET HANDLE	1					
4	02103BM0T000	SCREW DRIVER	1					
5	02104BM0T000	HANDLE	1					
6	02114BM0T000	FUNNEL, OIL TANK	1					
7	02115BM0T000	RR. ABSORBER ADJUSTER	1					
8	02117BMBT000	WRENCH 35	1					



NO.	PART NO.	DESCRIPTION	QTY	DESIGN CHANGE		DATE	APPLY	REMARK
				INITIAL	END			
1	08351BM0TC10	KICK STARTER (SILVER)	1					
2	B02050602560	SCREW 6X25MM	1					

F26 STICKERS

EXPLORER CRACKER 50



NO.	PART NO.	DESCRIPTION	QTY	DESIGN CHANGE		DATE	APPLY	REMARK
				INITIAL	END			
1	05514BM0T006	STICKER , L. BODY COVER	1					
2	05501BM0T006	STICKER ,FR. HANDLE COVER	1					
3	05519BM0T006	STICKER, R. BODY COVER	1					
4	05521BM0T006	R. CRACKER STICKER , FRONT COVER	1					
5	05512BM0T006	R. CRACKER STICKER , R. BODY COVER	1					
6	05513BM0T006	EXPLORER STICKER, BODY COVER	2					
7	05511BM0T006	L. CRACKER STICKER , L. BODY COVER	1					
8	05522BM0T006	L. CRACKER STICKER , L. FRONT COVER	1					
9	05500BM0T006	STICKER,SPEEDOMETER	1					
10	05531BM0T006	EXPLORER STICKER ,TOP CASE	1					
11	05531BM0T006	UPPER STICKER , TOP CASE	1					