



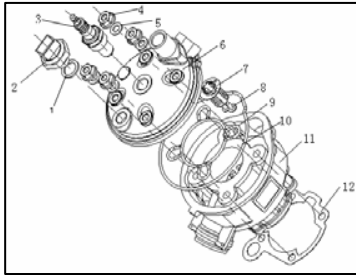
GENERIC

TRIGGERX & *TRIGGER SM*

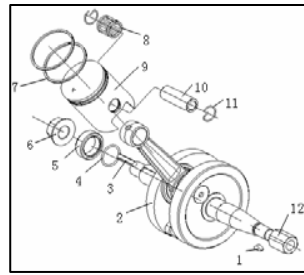
PARTBOOK
Vers. 2007.0

INDEX - ENGINE Vers. 2007.01

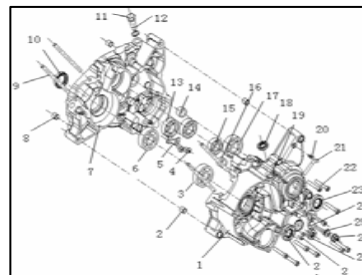
E01 CYLINDER HEAD ASSY



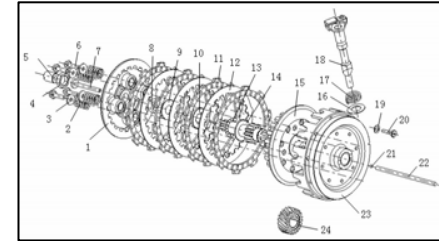
E02 PISTON,CONNECTING ROD & CRANKSHAFT ASSY



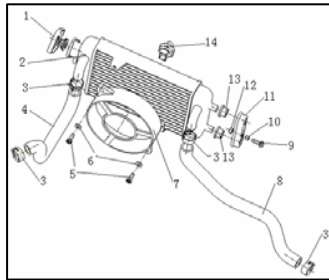
E03 CRANKCASE ASSY



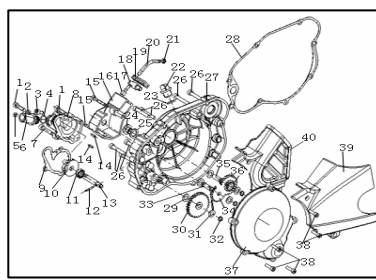
E04 CLUTCH



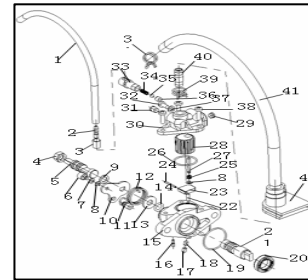
E05 RADIATOR



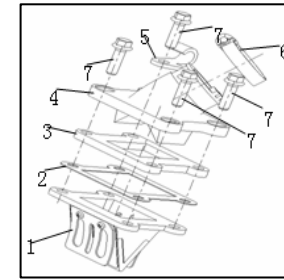
E06 CRANKCASE COVER



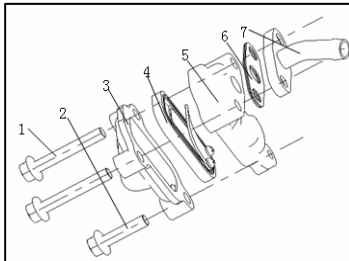
E07 OIL PUMP



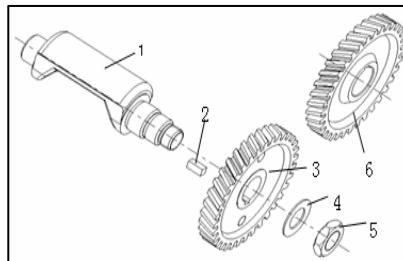
E08 REED VALVE AND AIR DUCT COMPONENTS



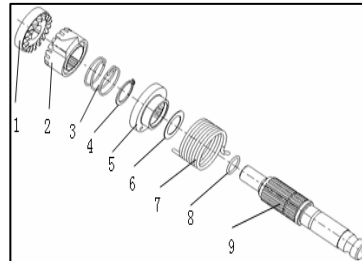
E09 SECONDARY AIR ASSY



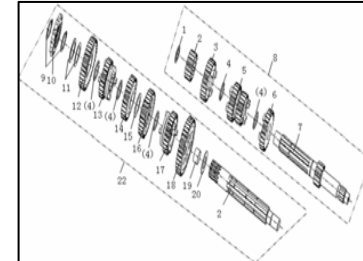
E10 SHAFT ASSY.,BALANCER



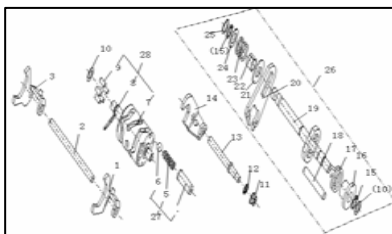
E11 KICK STARTER ASSY



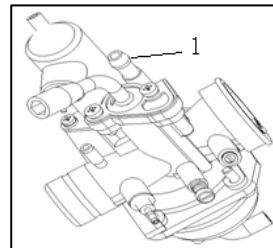
E12 DRIVE&DRIVEN SHAFT ASSY.



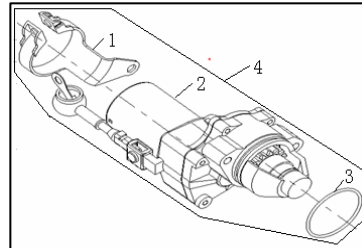
E13 GEARSHIFT MECHANISM



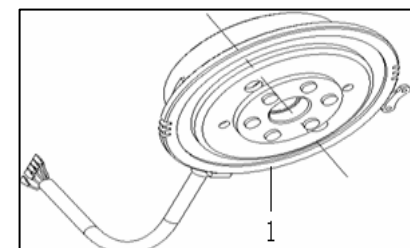
E14 CARBURETOR ASSY



E15 STARTING MOTOR

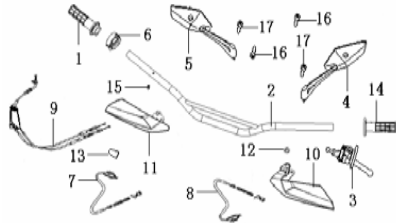


E1& GENERATOR

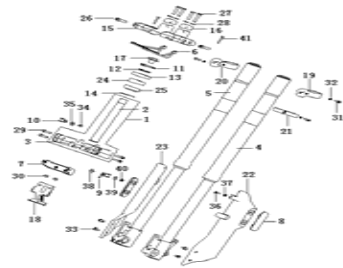


INDEX - FRAME 1 Vers. 2007.01

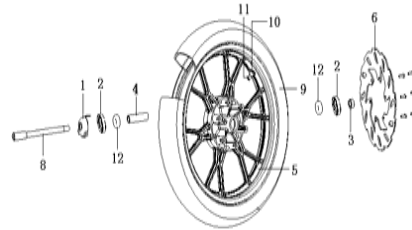
F01 STEERING



F02 FRONT FORK



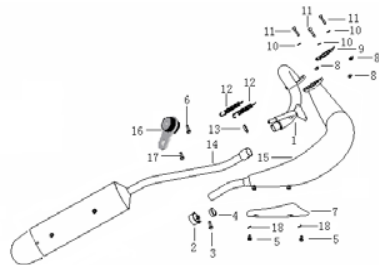
F03 FRONT WHEEL



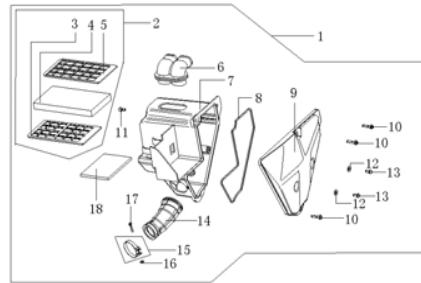
F04 FRONT DISC BRAKE



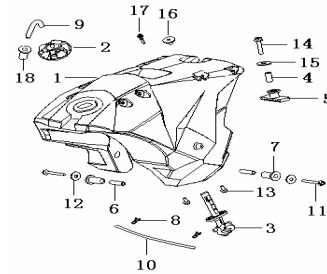
F05 MUFFLER



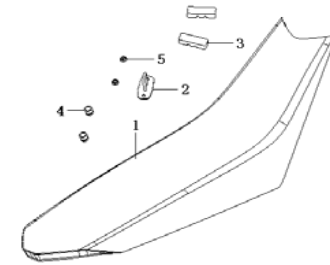
F06 AIR CLEANER



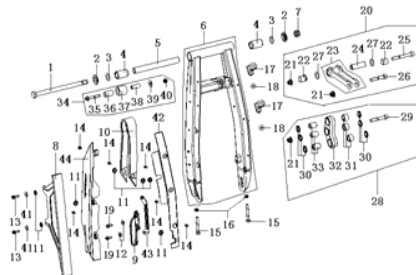
F07 FUEL TANK



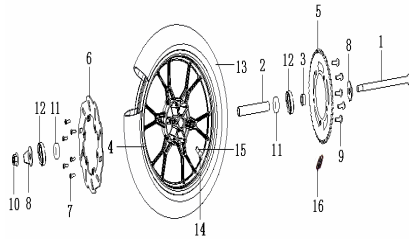
F08 SEAT



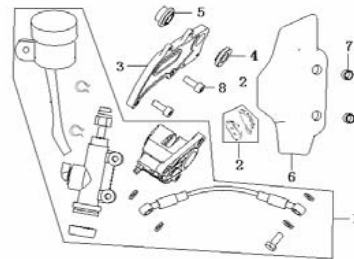
F09 REAR SWINGING ARM



F10 REAR WHEEL



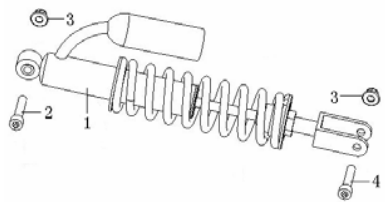
F11 REAR DISC BRAKE



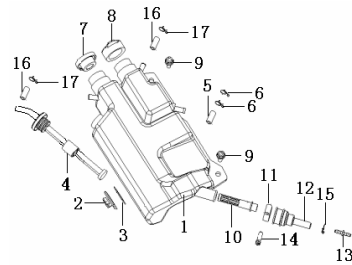
F12 FRAME



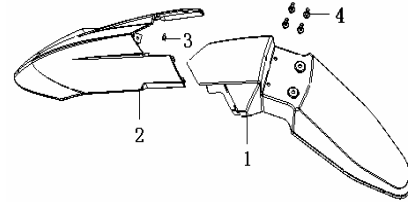
F13 REAR SHOCK ABSORBER



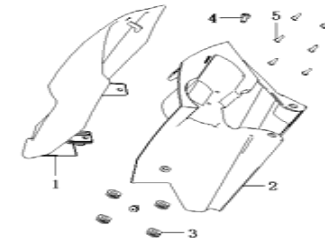
F14 OIL TANK



F15 FRONT FENDER

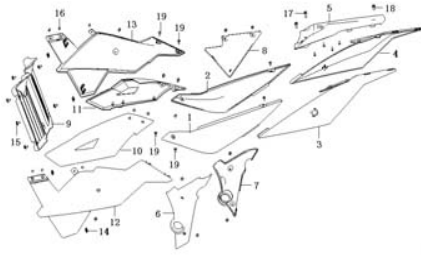


F16 COWLING

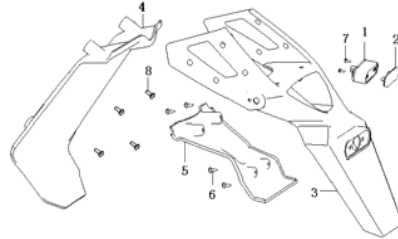


INDEX - FRAME 2 Vers. 2007.01

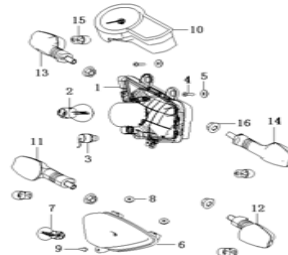
F17 FRAME COVER



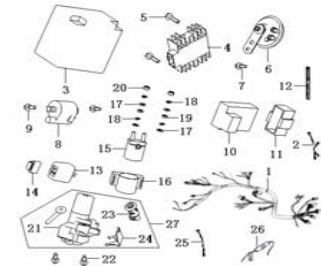
F18 REAR FENDER



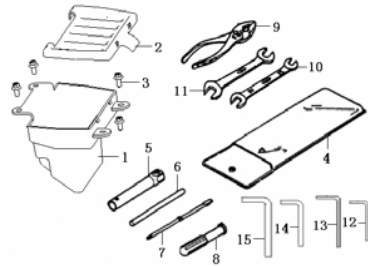
F19 ELECTRIC 1



F20 ELECTRIC 2



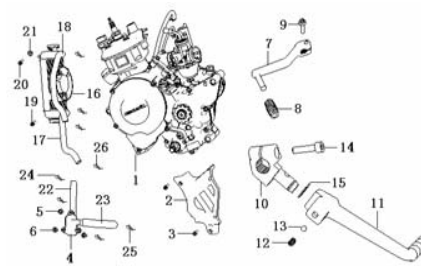
F21 TOOL KIT



F22 STICKER

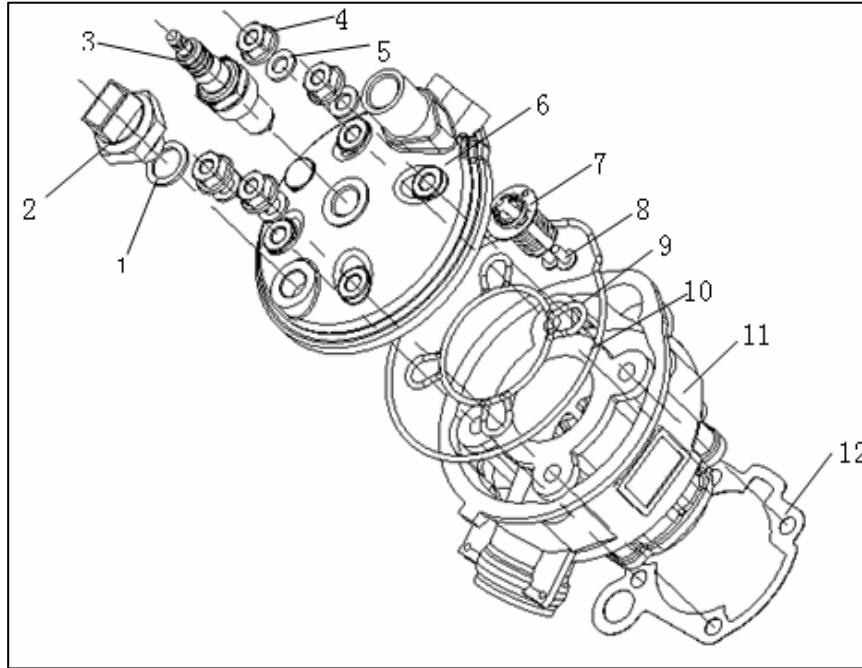


F23 ENGINE ATTACHMENT



E01 CYLINDER HEAD ASSY

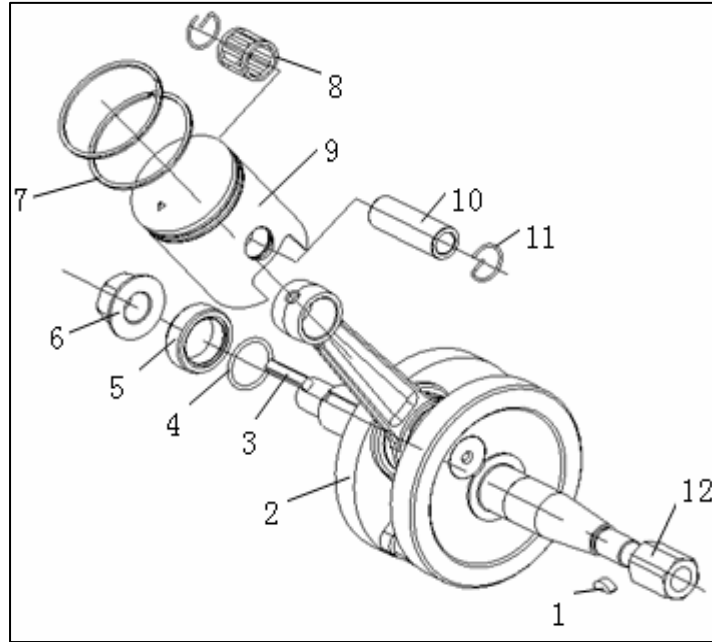
TRIGGER 50 SM



NO.	PART NO.	DESCRIPTION	QTY	DESIGN CHANGE	DATE	APPLY	REMARK
1	307991500320	WASHER	1				
2	31200000B15F000	COVER, THERMOSTAT	1				
3	31100000B15F000	SPARK PLUG	1				
4	304290700068	HEXAGON NUT WITH FLANGE	4				
5	31000006B15F000	WASHER, PLAIN	4				
6	201200.087000	CYLINDER HEAD	1				
7	31300000B15F000	WATER TEMPERATURE REGULATOR	1				
8	313050401065	SCREW M4X10	2				
9	31000003B15F000	SMALL SEAL RING	1				
10	31000004B15F000	BIG SEAL RING	1				
11	25000002B15F000	CYLINDER	1				
12	25000001B15F000	GASKER CYLINDER	1				

E02 PISTON,CONNECTING ROD & CRANKSHAFT ASSY

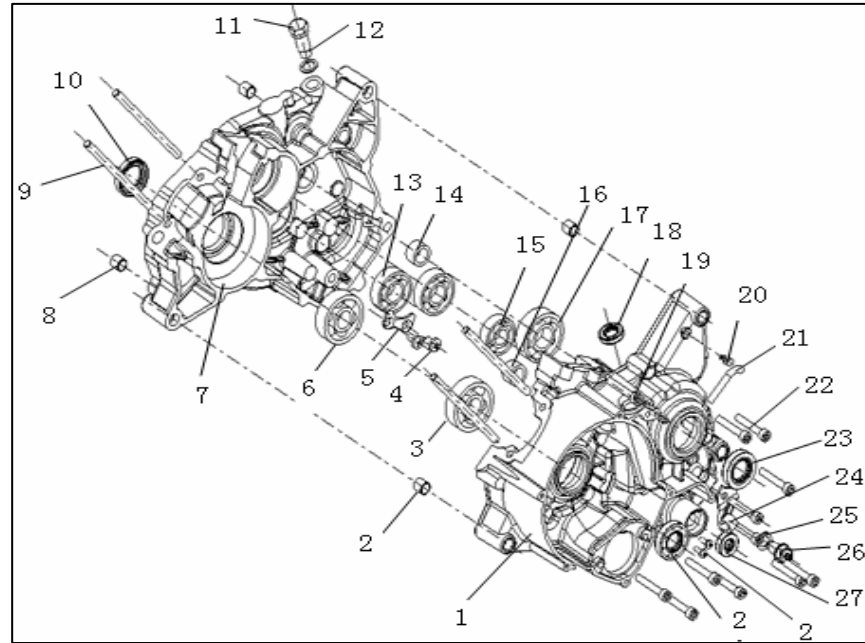
TRIGGER 50 SM



NO.	PART NO.	DESCRIPTION	QTY	DESIGN CHANGE	DATE	APPLY	REMARK
1	208421.003000	KEY	1				
2	208421.006000	KEY B4X20	1				
3	15000002B15F000	RING 15.5X1.5	1				
4	208413.009000	CRANKSHAFT OIL SEALED BUSH	1				
5	208228.008000	HEXAGON NUT WITH FLANGE	1				
6	15100001B15F000	RING	2				
7	15100006B15F000	BEARING	1				
8	15100003B15F000	PISTON	1				
9	15100004B15F000	PIN,PISTON	1				
10	15100005B15F000	CIRCLIP	2				
11	208228.009000	NUT,LOCK	1				
12							

E03 CRANKCASE ASSY

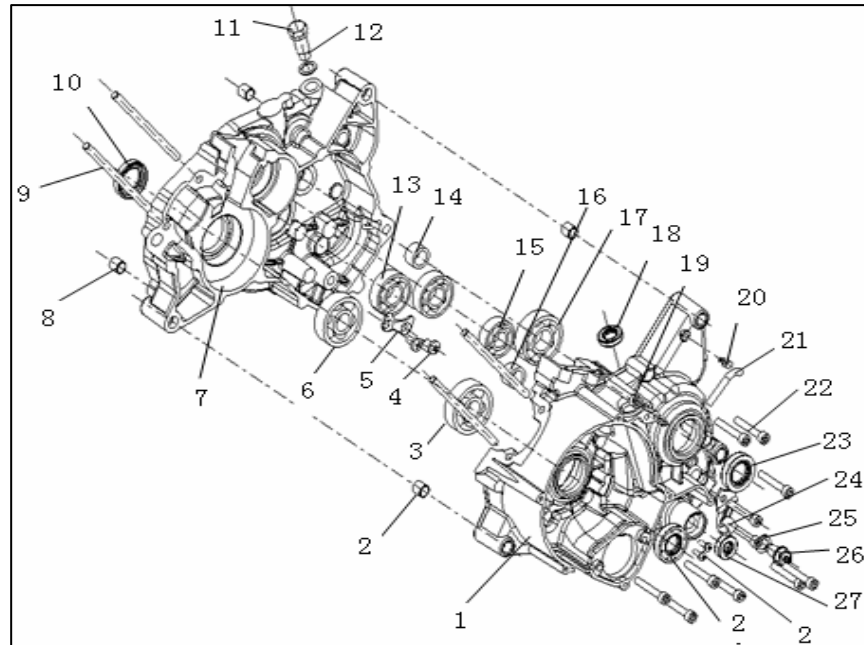
TRIGGER 50 SM



NO.	PART NO.	DESCRIPTION	QTY	DESIGN CHANGE	DATE	APPLY	REMARK
1	26100007B15F000	CRANKCASE,LEFT	1				
2	B12060303N64	BEARING,RADIAL BALL	1				
3	302220601262	SCREW M6X12	2				
4	206228.003000	BEARING PRESSURE PLATE	1				
5	B12060303N64	BEARING,RADIAL BALL	1				
6	206300.078000	CRANKCASE,RIGHT	1				
7	320070080121	PIN,DOWEL	2				
8	206226.012000	STUDBOLT,CYLINDER	4				
9	206243.001000	OIL SEAL II	1				
10	26000005B15F000	LOCATING SCREW	1				
11	206238.001000	WASHER	1				
12	B12060203N70	BEARING,RADIAL BALL	2				
14	312914201200	BEARING	1				
15	B12060202N70	BEARING,RADIAL BALL	1				
16	312914201200	BEARING	1				
17	B12060204N70	BEARING,RADIAL BALL	1				
18	317313524051	SEAL 13.7X24X5	1				
19	302040605000	SCREW M6X50	1				
20	26100006B15F000	HOSE,BREATHER	1				
21	206208.018000	HOSE,BREATHER	1				
22	B02040604085		12				
23	206243.002000	OIL SEAL	1				

E03-2 CRANKCASE ASSY

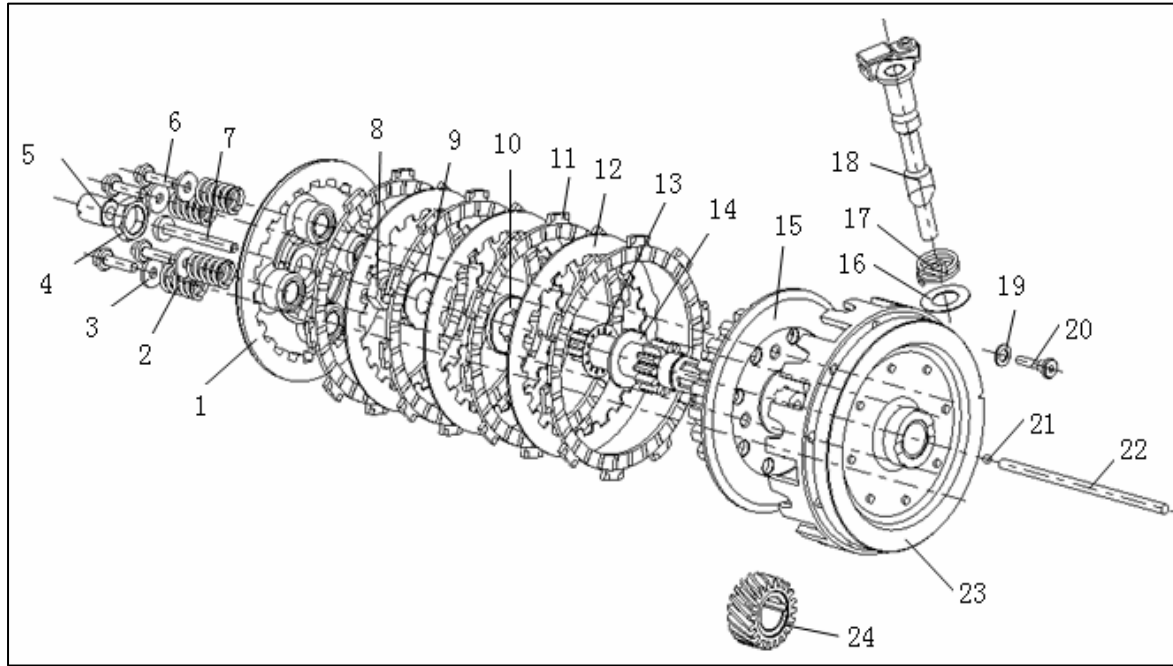
TRIGGER 50 SM



NO.	PART NO.	DESCRIPTION	QTY	DESIGN CHANGE	DATE	APPLY	REMARK
1	202307.001000	CLUTCH STAY WIRE CLIP	1				
2	210112.021000	SHIFT SENOR	1				
3	210341.002000	OIL SEAL	1				
4	302210401200	CROSS RECESS PAN HEAD SCREW M4X12	2				
5	206243.003000	OIL SEAL I	1				
6							
7							
8							
9							
10							
11							
12							

E04 CLUTCH

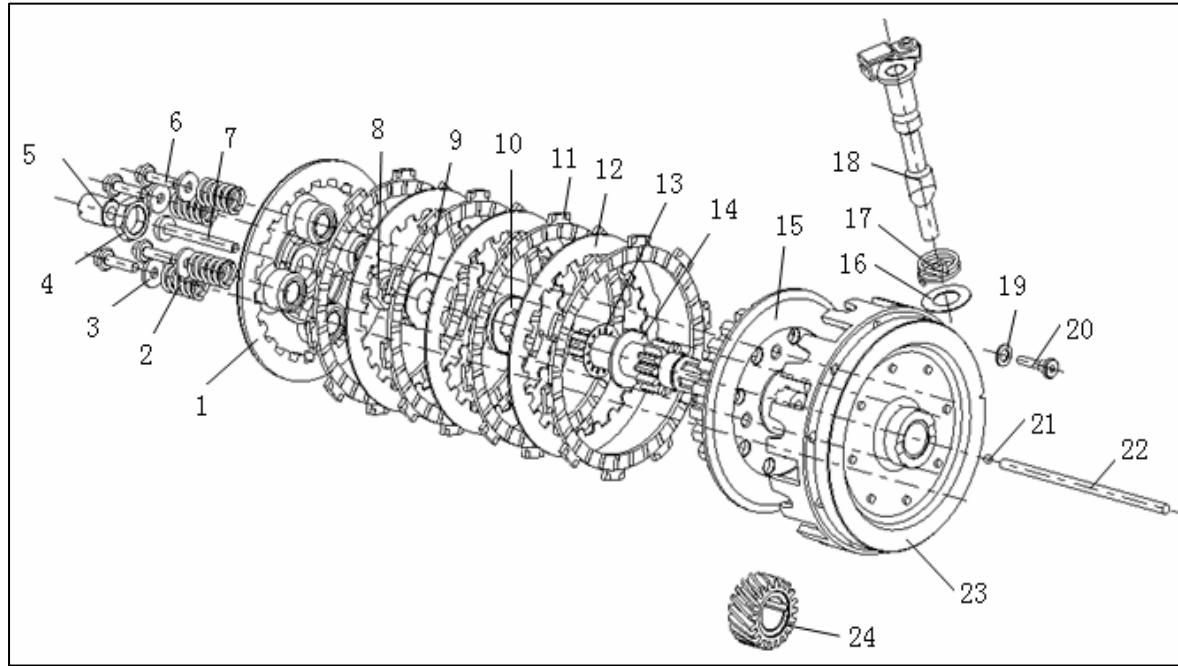
TRIGGER 50 SM



NO.	PART NO.	DESCRIPTION	QTY	DESIGN CHANGE	DATE	APPLY	REMARK
1	24000009B15F000	HUB,CLUTCHSLEEVE	1				
2	24000011B15F000	WASHER	4				
3	24000013B15F000	NUT,LOCK	1				
4	24000014B15F000	SCREW,LOCK	1				
5	301310502000	HEXAGON BOLT WITH FLANGE	4				
6	24000015B15F000	EXTERIOR SEPARATED CARRIER ROD	1				
7	24000012B15F000	NUT,LOCK	1				
8	24000008B15F000	WASHER,thust	1				
9	24000004B15F000	INNER GEAR GASKER	1				
10	24300000B15F000	FRICITION PLATE	4				
11	24000007B15F000	PRESSURE PLATE	3				
12	24000002B15F000	DISC GASKER	1				
14	24000003B15F000	WASHER, PLAIN	1				
15	24000006B15F000	CENTER,CLUTCH	1				
16	24100006B15F000	WASHER	1				
17	24100005B15F000	SPRING	1				
18	212114.001000	SEPERATE PULL ROD WIELDING COMPONENT	1				
19	307992012120	WASHER	1				
20	24100007B15F000	LOCATING SCREW	1				
21	B06010130000	STELL BALL	1				
22	24000001B15F000	INNER SEPARATED CARRIER ROD	1				
23	24200000B15F000	CLUTCH DRUM COMP.	1				

E04-2 CLUTCH

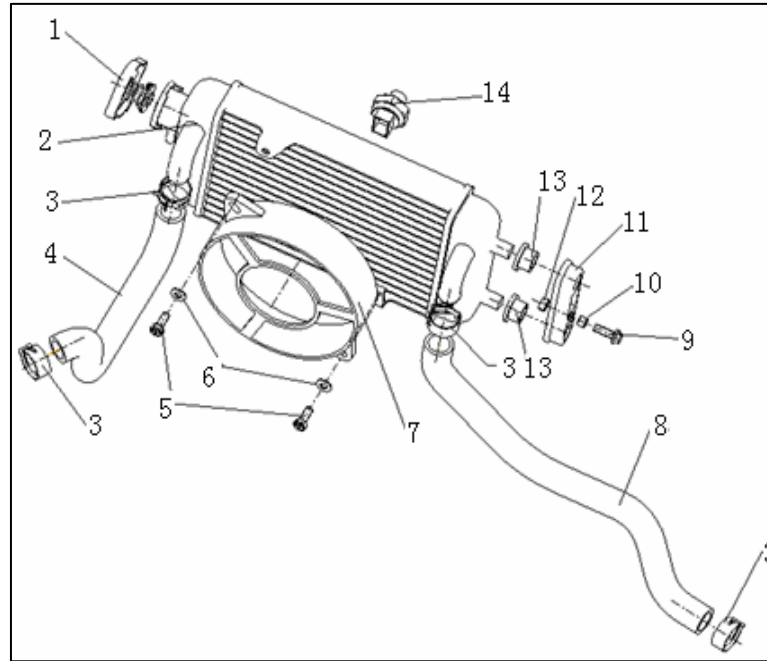
TRIGGER 50 SM



NO.	PART NO.	DESCRIPTION	QTY	DESIGN CHANGE	DATE	APPLY	REMARK
24	24000005B15F000	GEAR,DRIVE	1				
2							
3							
4							
5							
6							
7							
8							
9							
10							
11							
12							

E05 RADIATOR ASSY

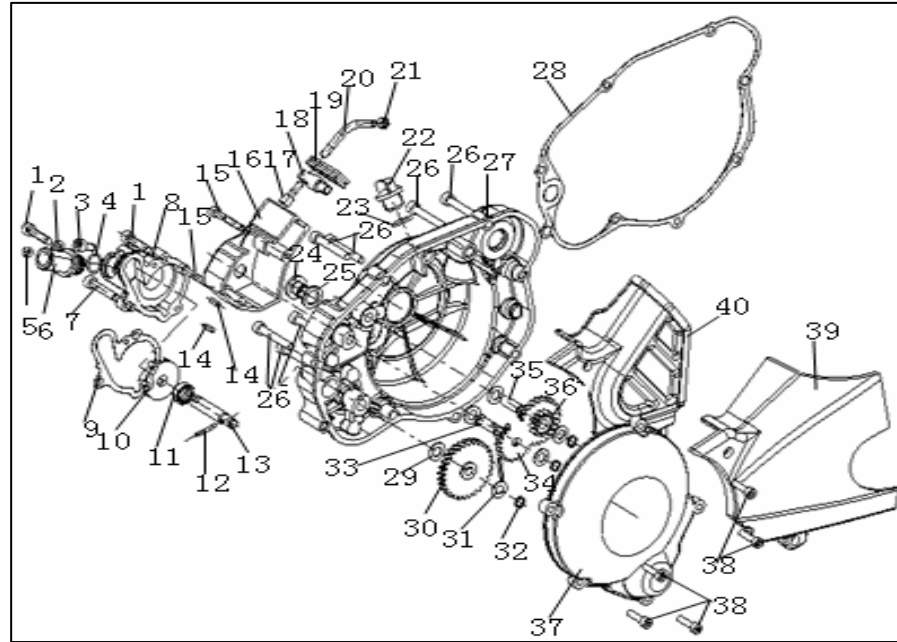
TRIGGER 50 SM



NO.	PART NO.	DESCRIPTION	QTY	DESIGN CHANGE	DATE	APPLY	REMARK
1	21111000B15F000	WATER MACHINE COMPONENT	1				
2	221218.006000	CLIP, TUBE	4				
3	221219.008000	HOSE D, WATER	1				
4	B02040602063	BOLT M6X20	2				
5	B07010008002	WASHER, PLAIN	2				
6	221108.003000	FAN ASSEMBLY	1				
7	221219.009000	HOSE C, WATER	1				
8	B02040601085	BOLT M6X18	2				
9	221312.001000	BUSH	1				
10	221311.001000	FIXING SEAT, RADIATOR	1				
11	304210600000	NUT M6	1				
12	21000005B15F000	RUBBER, RADIATOR SETTING	2				
14	222120.002000	THERMOSTAT	1				

E06 CRANKCASE COVER

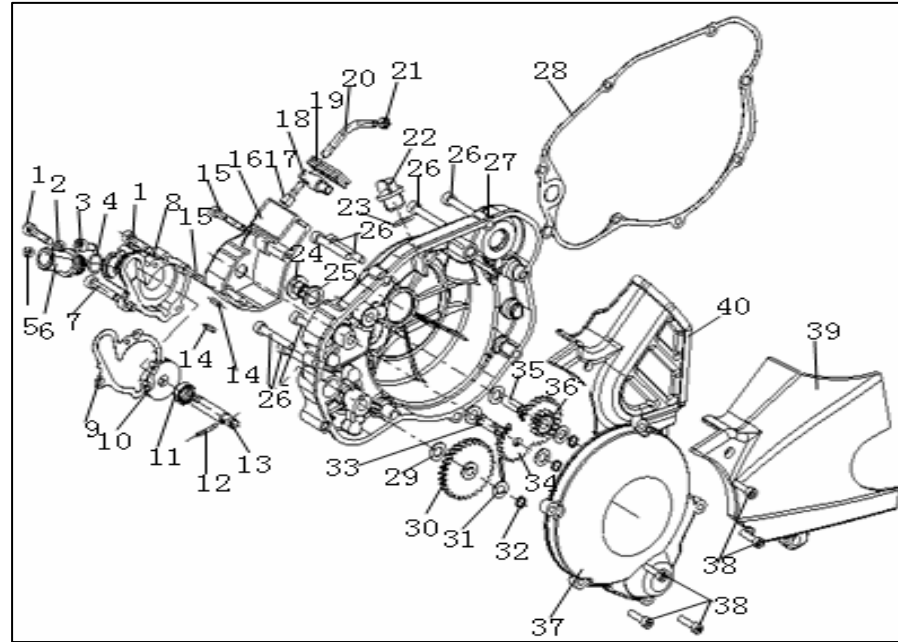
TRIGGER 50 SM



NO.	PART NO.	DESCRIPTION	QTY	DESIGN CHANGE	DATE	APPLY	REMARK
1	B02040602585	BOLT M6X25	2				
2	B02040601285	BOLT M6X12	1				
3	315114819010	O-RING	1				
4	207234.006000	BUSH	1				
5	14000020B15F000	WATER OUTLET SEAT, WATER PUMP	1				
6	B02040605585	BOLT M6X55	1				
7	14000006B15F000	COVER, WATER PUMP	1				
8	14000019B15F000	PAD, COVER, WATER PUMP	1				
9	14200002B15F000	IMPELLER	1				
10	14300000B15F000	MECHANICAL SEAL	1				
11	14000023B15F000	DRIVE PIN	2				
12	14200001B15F000	SHAFT, WATER PUMP	1				
14	309040401010	PIN, DOWEL, WATER PUMP	2				
15	B02040503585	BOLT M5X35	2				
16	14000022B15F000	COVER, OIL PUMP	1				
17	B02040602585	BOLT M6X25	2				
18	14000013B15F000	OIL PUMP STEEL WIRE FIXING LEG	1				
19	14000024B15F000	RUBBER PLUG	1				
20	14000014B15F000	OIL PUMP STEEL WIRE REGULATING SLEEVE	1				
21	30426060000	NUT M6	1				
22	14000016B15F000	CAP, OIL FILLER	1				
23	PS2000G-321802A7	O-RING 13.3X2.65	1				

E06-2 CRANKCASE COVER

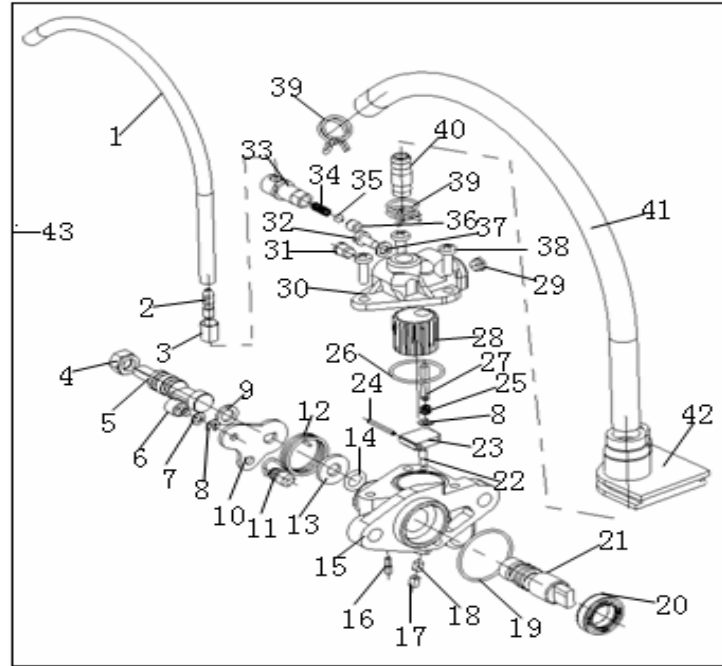
TRIGGER 50 SM



NO.	PART NO.	DESCRIPTION	QTY	DESIGN CHANGE	DATE	APPLY	REMARK
24	14100000B15F000	BOLT M8X8	1				
2	B02040603063	BOLT M6X30	7				
3	14000003B15F000	COVER, R.CRANKCASE	1				
4	14000002B15F000	PAD, COVER, R.CRANKCASE	1				
5	14000007B15F000	WASHER, PLAINT X III	3				
6	14000005B15F000	GEAR, WATER PUMP	1				
7	14000004B15F000	WASHER, PLAINT XII	3				
8	B08080080000	CIRCLIP 8	3				
9	14000008B15F000	JOINT SHAFT, OIL PUMP	1				
10	14000018B15F000	DRIVE GEAR, OIL PUMP	1				
11	14000009B15F000	MIDDLE SHAFT	1				
12	14000011B15F000	MIDDLE GEAR	1				
37	14000001B15F000	COVER, L.CRANKCASE	1				
38	B02040502085	BOLT M5X20	7				
39	207201.051000	LEFT REAR COVER	1				
40	207201.055000	LEFT REAR COVER	1				

E07 OIL PUMP

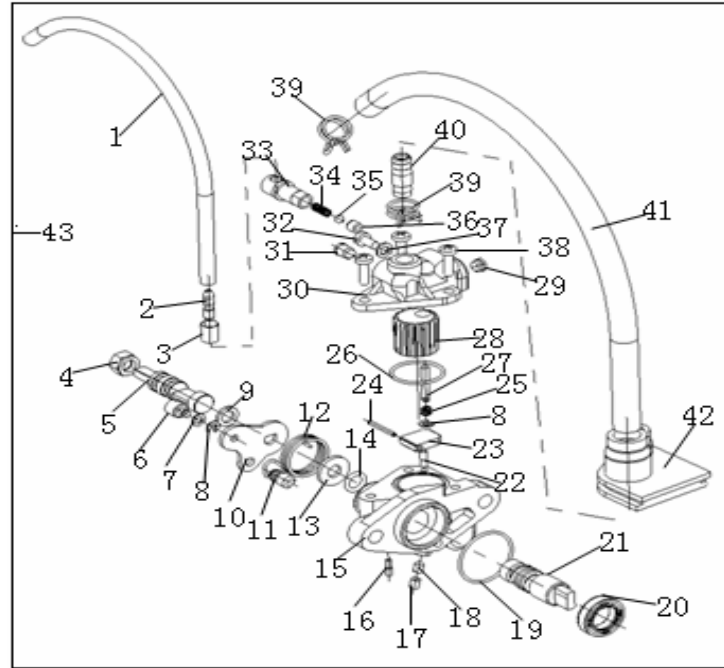
TRIGGER 50 SM



NO.	PART NO.	DESCRIPTION	QTY	DESIGN CHANGE	DATE	APPLY	REMARK
1	38000002B15F000	OIL OUTLEAK TUBE	1				
2	38000005B15F000	CLIP, OIL OUTLEAK PIPE	1				
3	38110017B15F000	NUT	1				
4	38110018B15F000	CAMSHAFT	1				
5	38111004B15F000	SHAFT,	1				
6	38111003B15F000	WASHER, PLAIN	1				
7	B08100020000	CIRCLIP (OUTER) ϕ 2	2				
8	B07000005000	CIRCLIP	1				
9	38111001B15F000	PAN,	1				
10	38111002B15F000	SPRING FIXING SHAFT	1				
11	38110015B15F000	SPRING	1				
12	38110016B15F000	WASHER, PLAIN	1				
14	B150200530D0	O-RING 5.3X1.8	1				
15	38110001B15F000	OIL PUMP BODY	1				
16	38110005B15F000	PIN C, DOWEL	1				
17	38110013B15F000	PLUG	1				
18	38110012B15F000	ADJUSTMENT BOLT	1				
19	38110002B15F000	O-RING 19.5X1	1				
20	38110003B15F000	OIL SEAL	1				
21	38110004B15F000	GEAR	1				
22	38110019B15F000	PIN C, DOWEL	1				
23	38110010B15F000	FLUX ADJUSTMENT BOARD	1				

E 07-2 OIL PUMP

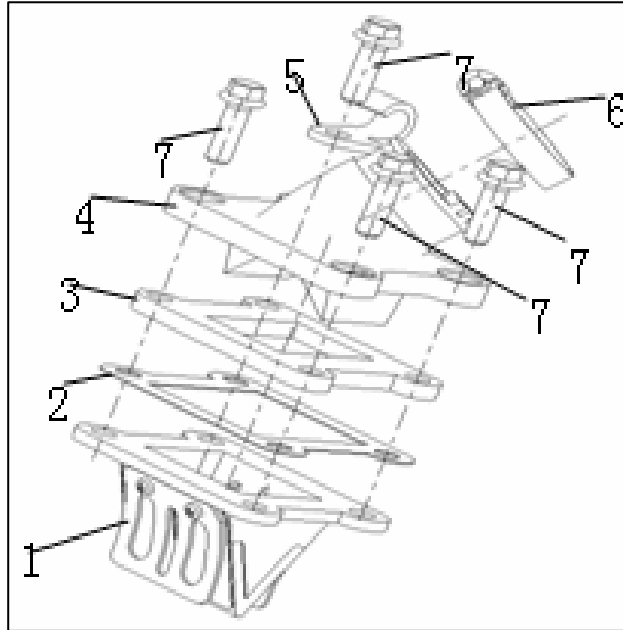
TRIGGER 50 SM



NO.	PART NO.	DESCRIPTION	QTY	DESIGN CHANGE	DATE	APPLY	REMARK
25	38110009B15F000	SPRING	1				
2	38110008B15F000	PLUG	1				
3	38110007B15F000	SHAFT, OIL PUMP	1				
4	38120003B15F000	PLUG I	1				
5	38120001B15F000	COVER, OIL PUMP	1				
6	38120005B15F000	PLUG II	1				
7	B02000500685	BOLT M5X6	1				
8	38121002B15F000	VALVE BODY	1				
9	38121003B15F000	SPRING	1				
10	B06010090000	STEEL BALL ϕ 3.175	1				
11	38121004B15F000	PLUG	1				
12	38120004B15F000	WASHER, SEALING	1				
38	B02210301020	BOLT M3X10	3				
39	38000005B15F000	CLIP, TUBE	2				
40	38120002B15F000	JOINT	1				
41	38000004B15F000	TUBE	1				
42	38000003B15F000	JACKET, OIL PIPE	1				
43	38000000B15F000	OIL PUMP ASSY	1				

E08 REED VALVE AND AIR DUCT COMPONENTS

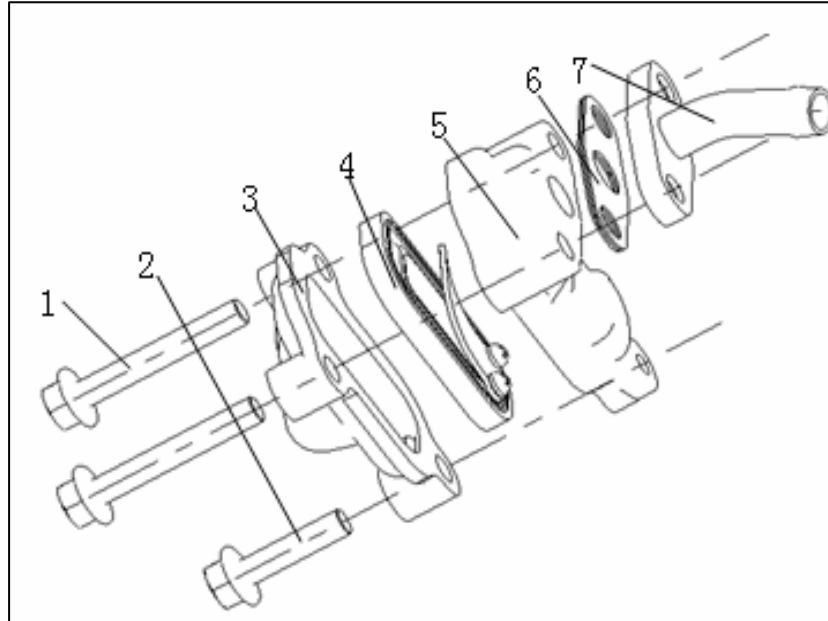
TRIGGER 50 SM



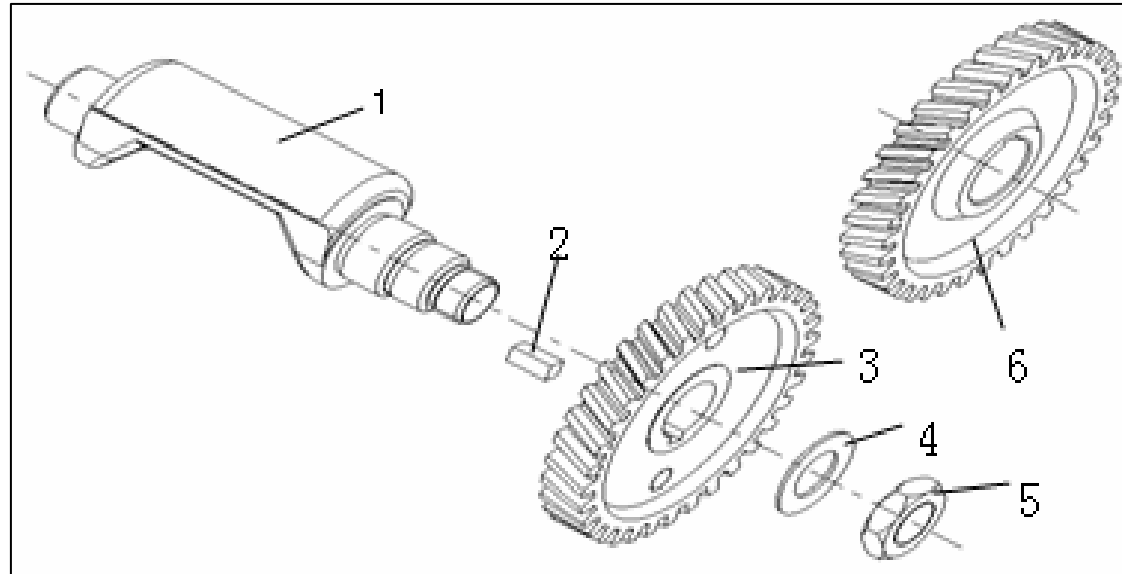
NO.	PART NO.	DESCRIPTION	QTY	DESIGN CHANGE	DATE	APPLY	REMARK
1	32102B20F000	REED VALVE COMPONENT	1				
2	32100002B15F000	AIR DUCT CORE	1				
3	32100001B15F000	AIR DUCT SHELL	1				
4	219237.001000	CLIP, OIL PUMP TUBE	1				
5	32116B20F000	BAND, WIRE	1				
6	301310602000	BOLT M6X20	4				
7							
8							
9							
10							
11							
12							

E09 SECONDARY AIR ASSY

TRIGGER 50 SM



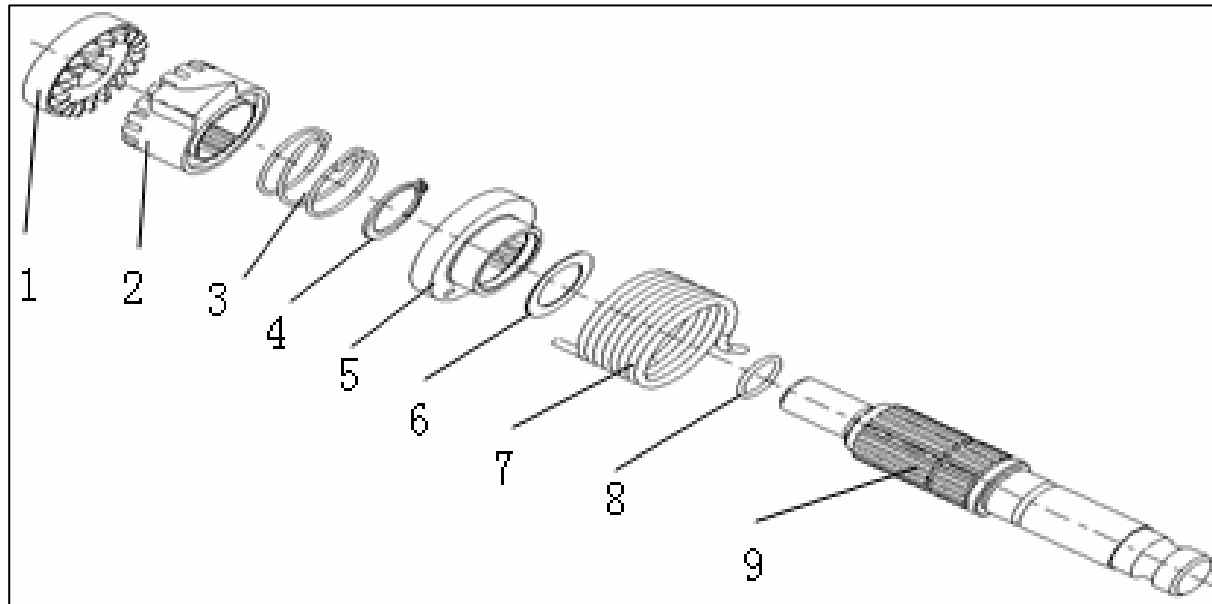
NO.	PART NO.	DESCRIPTION	QTY	DESIGN CHANGE	DATE	APPLY	REMARK
1	301310604000	BOLT M6X40	2				
2	201302.002000	CASE, REED VALVE	1				
3	32102B20F000	VALVE, REED	1				
4	33108J01F000	COVER, REED VALVE	1				
5	229107.001000	GASKET, AIR FEED PIPE	1				
6	229106.007000	PIPE, AIR FEED	1				
7							
8							
9							
10							
11							
12							



NO.	PART NO.	DESCRIPTION	QTY	DESIGN CHANGE	DATE	APPLY	REMARK
1	208400.017000	SHAFT,BALANCER	1				
2	208401.008000	DRIVEN GEAR,BALANCER	1				
3	208427.009000	LOCK WASHER,BALANCER	1				
4	208228.010000	LOCK NUT,BALANCER	1				
5	208220.013000	DRIVE GEAR,BALANCER	1				
6							
7							
8							
9							
10							
11							
12							

E11 KICK STARTER ASSY

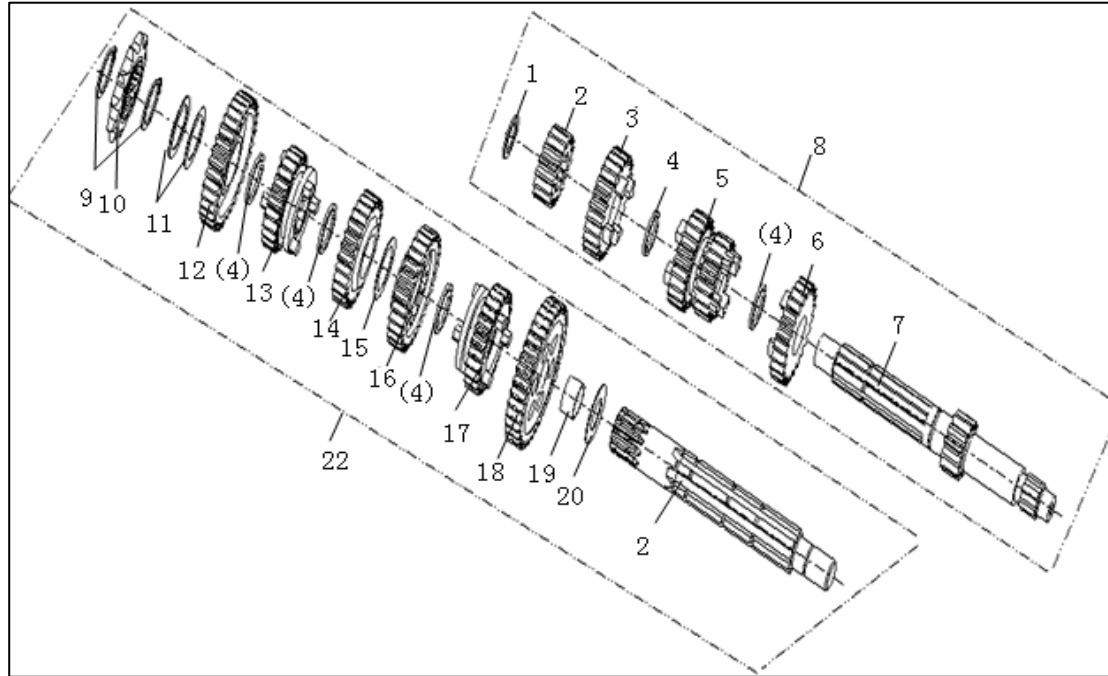
TRIGGER 50 SM



NO.	PART NO.	DESCRIPTION	QTY	DESIGN CHANGE	DATE	APPLY	REMARK
1	17600001B15F000	GEAR,KICK STARTER	1				
2	17600002B15F000	RATCHET	1				
3	17600003B15F000	SPRING,RATCHET	1				
4	B08080180000	CIRCLIP(18)	1				
5	17600004B15F000	SEAT,KICK STARTER SPRING	1				
6	216409.001000	WASHER XI	1				
7	17600005B15F000	SPRING,KICK STARTER	1				
8	17600007B15F000	O RING(12.5X1.5)	1				
9	17600008B15F000	SHAFT,KICK STARTER	1				

E12 DRIVE&DRIVEN SHAFT ASSY.

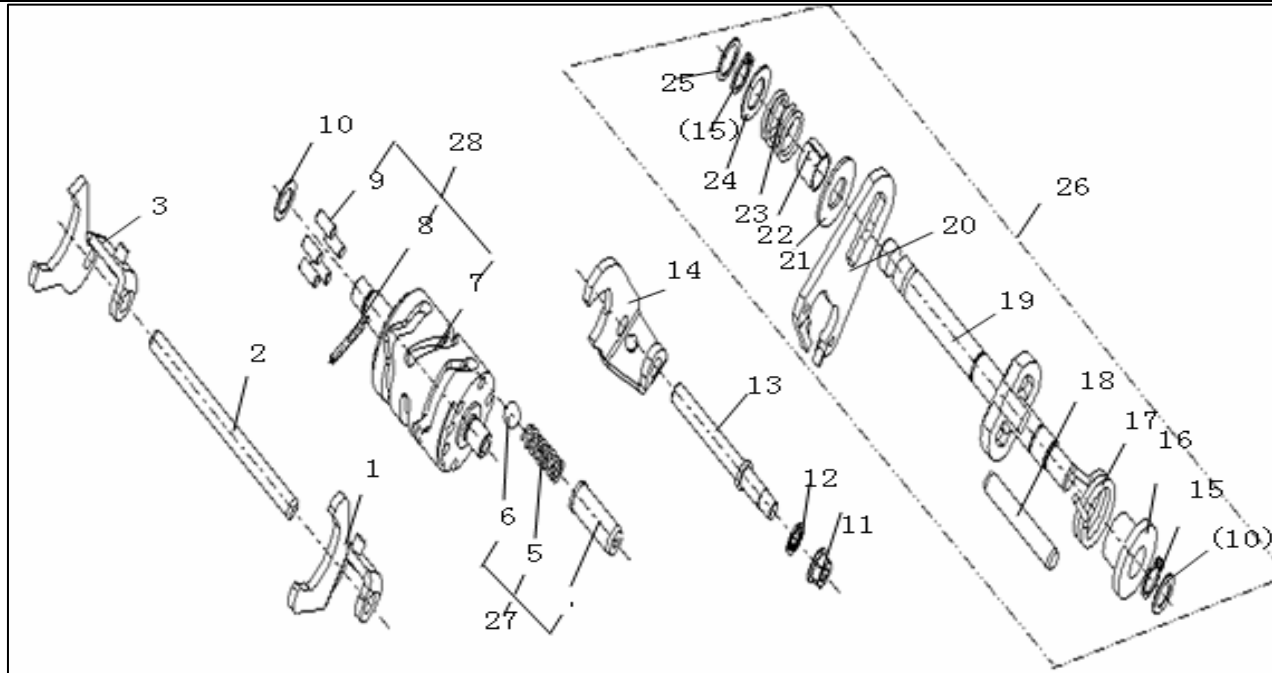
TRIGGER 50 SM



NO.	PART NO.	DESCRIPTION	QTY	DESIGN CHANGE	DATE	APPLY	REMARK
1	17100001B15F000	CIRCLIP(14)	1				
2	17100002B15F000	GEAR,2ND DRIVE	1				
3	17100003B15F000	GEAR,6TH DRIVE	1				
4	17100004B15F000	CIRCLIPφ18	5				
5	17100005B15F000	GEAR,3RD&4TH DRIVE	1				
6	17100006B15F000	GEAR,5TH DRIVE	1				
7	17100007B15F000	SHAFT,DRIVE	1				
8	209101.024000	DRIVE SHAFT ASSY.	1				
9	B08080200000	CIRCLIP(20)	2				
10	17200015B15F000	SPROCKET	1				
11	17200006B15F000	WASHER II	2				
12	17200003B15F000	GEAR,2ND DRIVEN	1				
13	17200004B15F000	GEAR,6TH DRIVEN	1				
14	17200005B15F000	GEAR,4TH DRIVEN	1				
15	17200012B15F000	WASHER V	1				
16	17200011B15F000	GEAR,3RD DRIVEN	1				
17	17200007B15F000	GEAR,5TH DRIVEN	1				
18	17200008B15F000	GEAR,1ST DRIVEN	1				
19	17200013B15F000	BUSH II	1				
20	17200009B15F000	WASHER III	1				
21	17200001B15F000	SHAFT,DRIVEN	1				
22	209102.022000	DRIVEN SHAFT ASSY.	1				

E13 GEARSHIFT MECHANISM

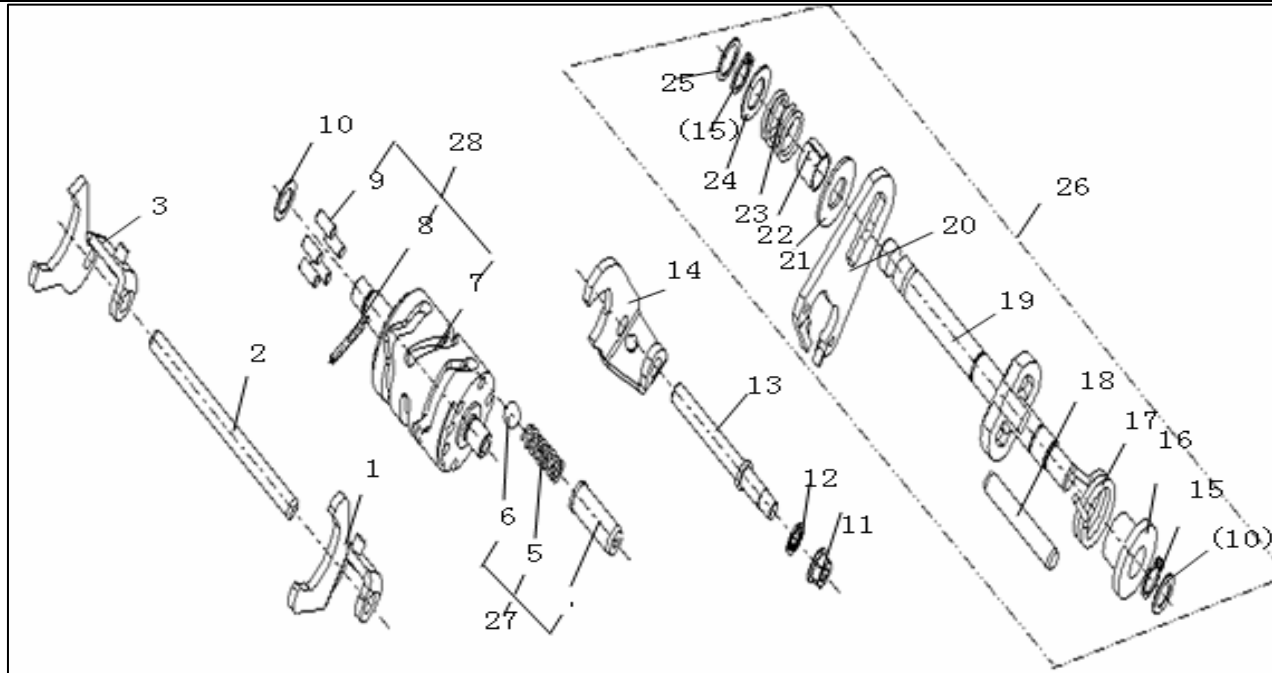
TRIGGER 50 SM



NO.	PART NO.	DESCRIPTION	QTY	DESIGN CHANGE	DATE	APPLY	REMARK
1	210302.029000	FORK,RIGHT GEARSHIFT	1				
2	210303.012000	SHAFT,DRIVEN FORK	1				
3	210302.030000	FORK,LEFT GEARSHIFT	1				
4	17500002B15F000	COVER, DRUM STOPPER	1				
5	17500001B15F000	SPRING,DRUM STOPPER	1				
6	B06010300000	BALL(SD9)	1				
7	17310002B15F000	DRUM,GEARSHIFT	1				
8	B09080302200	PIN	1				
9	17310001B15F000	PIN, GEARSHIFT DRUM	5				
10	210230.007000	WASHER X	2				
11	441031C03000	NUT,FLANGE(M6)	1				
12	210230.008000	WASHER,LOCK	1				
13	210303.013000	SHAFT,DRIVE FORK	1				
14	210302.031000	FORK,CENTER GEARSHIFT	1				
15	B08010001200	CIRCLIPφ12	2				
16	17400004B15F000	COVER,SPRING I	1				
17	17400003B15F000	SPRING I	1				
18	17400008B15F000	PIN,RETURN SPRING	1				
19	17420000B15F000	SHAFT,GEARSHIFT	1				
20	17410000B15F000	PLATE,GRARSHIFT	1				
21	17400001B15F000	WASHER I,GEARSHIFT	1				
22	17400005B15F000	COVER,SPRING II	1				
23	17400006B15F000	SPRING II	1				

E13-2 GEARSHIFT MECHANISM

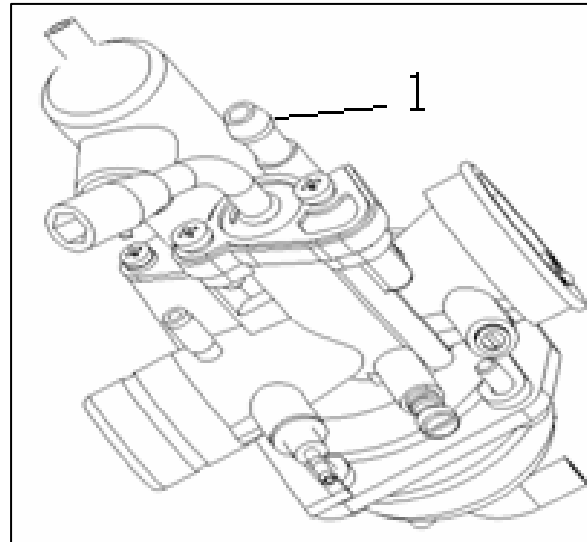
TRIGGER 50 SM



NO.	PART NO.	DESCRIPTION	QTY	DESIGN CHANGE	DATE	APPLY	REMARK
26	210100.017000	SHAFT ASSY.,GEARSHIFT	1				
27	17500000B15F000	DRUM STOPPER ASSY.	1				
28	210109.011000	DRUM ASSY.,GEARSHIFT	1				

E14 CARBURETOR ASSY

TRIGGER 50 SM

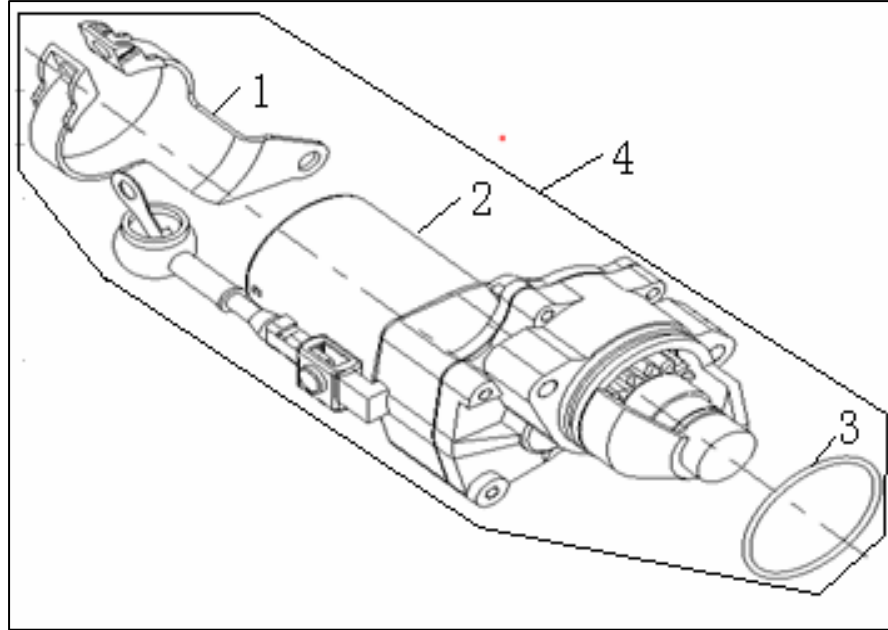


NO.	PART NO.	DESCRIPTION	QTY	DESIGN CHANGE	DATE	APPLY	REMARK
-----	----------	-------------	-----	---------------	------	-------	--------

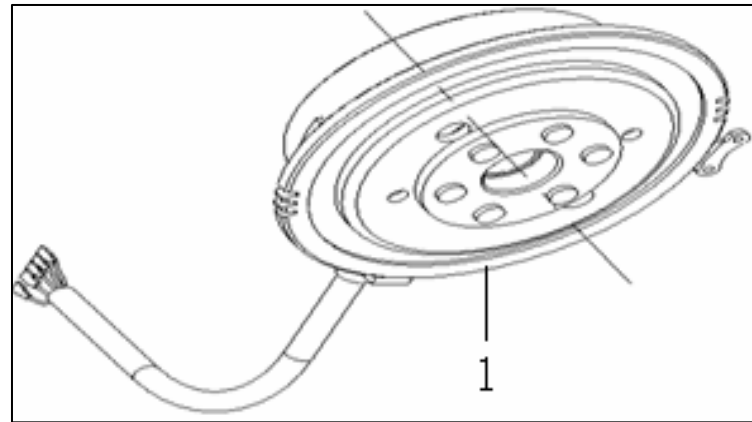
1	32100000B15F000	CARBURETOR	1				
---	-----------------	------------	---	--	--	--	--

E15 STARTING MOTOR

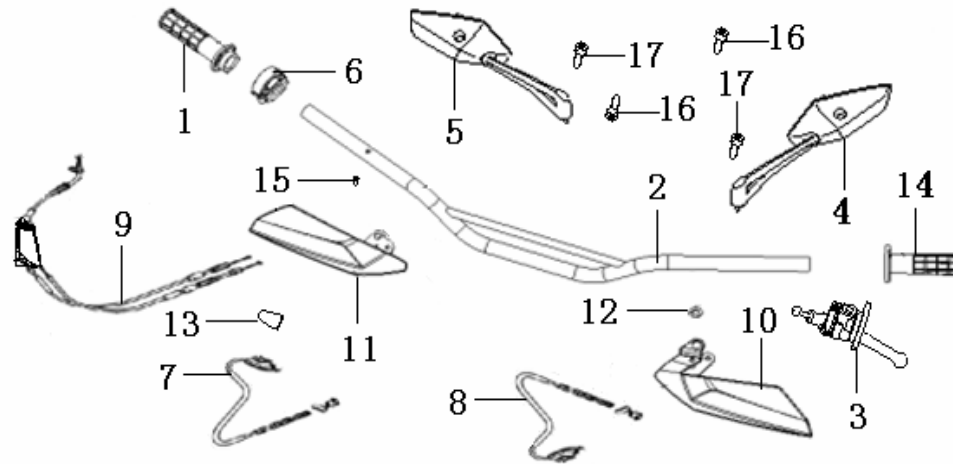
TRIGGER 50 SM



NO.	PART NO.	DESCRIPTION	QTY	DESIGN CHANGE	DATE	APPLY	REMARK
1	218422.001000	MOTOR FIXER	1				
2	218100.031000	STARTING MOTOR	1				
3	315138718000	O RING(38.7X1.8)	1				
4	218000.001000	STARTING MOTOR	1				



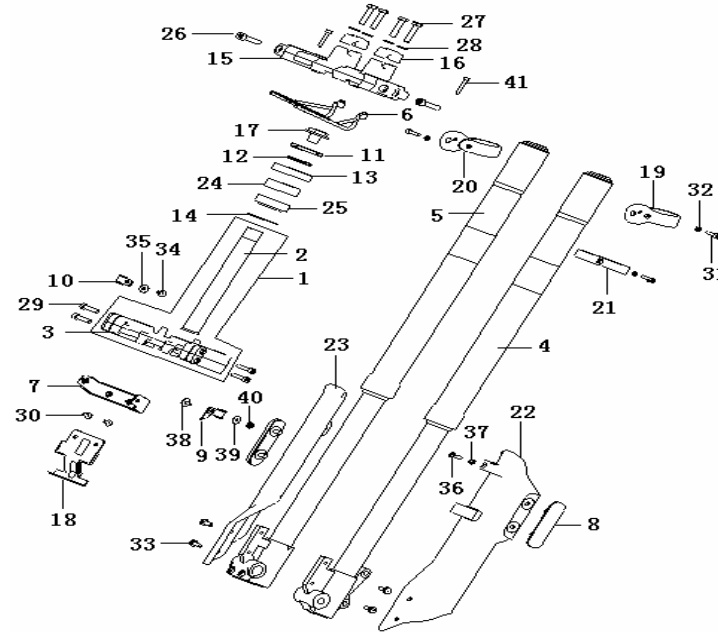
NO.	PART NO.	DESCRIPTION	QTY	DESIGN CHANGE	DATE	APPLY	REMARK
1	223100.005000	GENERATOR	1				



NO.	PART NO.	DESCRIPTION	QTY	DESIGN CHANGE	DATE	APPLY	REMARK
1	40210BP0Y000	R GRIP ASSY	1				
2	40100BP0Y000	HANDLE COMP	1				
3	40080BP0Y000	LEVER ASSY ,L	1				
4	40460BP0Y000	BACK MIRROR ASSY ,LEFT	1				
5	40470BP0Y000	BACK MIRROR ASSY ,RIGHT	1				
6	40320BP0Y000	CAP THROTTLE	1				
7	40400BP0Y000	CLUTCH CABLE	1				
8	40350BP0Y000	CHOKE CABLE	1				
9	40300BP0Y000	THROTTLE CABLE	1				
10	65003BP0Y000	COVER,HANDLE,LH	1				
11	65004BP0Y000	COVER,HANDLE,RH	1				
12	65006BP0Y000	SPACER	1				
13	40017BP0Y000	JACKET, CLUTCH CABLE	1				
14	40001BP0Y000	GRIP,LH	1				
15	B02000501025	SCREW M5×10MM	1				
16	B02050802565	SCREW M8×25MM	2				
17	40011BP0Y000	COVER	2				

F02 FRONT FORK

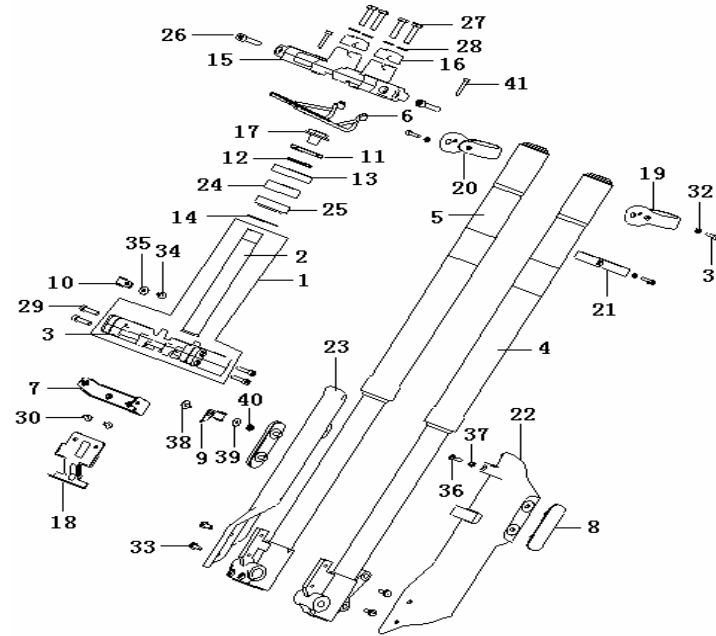
TRIGGER 50 SM



NO.	PART NO.	DESCRIPTION	QTY	DESIGN CHANGE	DATE	APPLY	REMARK
1	43100BP0Y000	UNDER BRACKET COMP.	1				
2	43101BP0Y000	DIRECTION MAST	1				
3	43102BP0Y000	UNDER BRACKET	1				
4	43200BPAY000	F.L. FORK ASSY.	1				
5	43300BPAY000	F.R. FORK ASSY.	1				
6	65490BP0Y000	METER SUPPORT COMP	1				
7	65550BP0Y000	BLEED COVER INSTALL PLANK	1				
8	86300BP0Y000	SIDE REFLECTOR	2				
9	43061BP0Y000	CLIP	1				
10	43071BP0Y000	CLIP	1				
11	43008BP0Y000	NUT	1				
12	43022BP0Y000	BALL RACE COVER II	1				
13	43005BP0Y000	BALL RACE COVER I	1				
14	43018BP0Y000	WASHER, DIRECTION MAST	1				
15	43011BP0Y000	UPPER BRACKET	1				
16	43014BP0Y000	CAP,HANDLE UPPER	2				
17	43049BP0Y000	BOLT,STEERING STEM	1				
18	65541BP0Y000	BLEED COVER SUPPORT	1				
19	81106BP0Y000	F.L.TURN SIGNAL SEAT	1				
20	81306BP0Y000	F.R.TURN SIGNAL SEAT	1				

F02-2 FRONT FORK

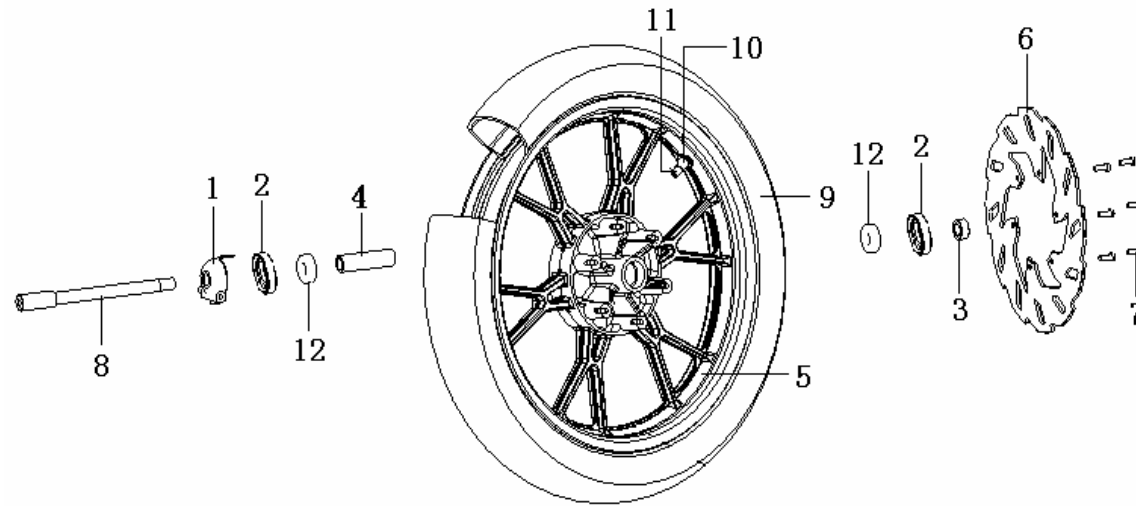
TRIGGER 50 SM



NO.	PART NO.	DESCRIPTION	QTY	DESIGN CHANGE	DATE	APPLY	REMARK
21	43035BP0Y000	BRAKE HOSE HOLDER	1				
22	43053BP0Y000	COVER, F.L. FORK ASSY.	1				
23	43054BP0Y000	COVER, F.R. FORK ASSY.	1				
24	B12016020500	BEARING 6205-2RS	1				
25	B12133020500	BEARING 30205	1				
26	B02050804065	SCREW M8×40MM	2				
27	B02050803565	SCREW M8×35MM	4				
28	B07030000805	WASHER 8MM	4				
29	B02050603064	SCREW M6×30MM	4				
30	B13010501205	SCREW M5×12MM	2				
31	B02050502565	SCREW M5×25MM	3				
32	B04020500015	NUT M5MM	3				
33	B13010601605	SCREW M6×16MM	4				
34	B01090501265	BOLT M5×12MM	1				
35	B07020000505	WASHER 5MM	1				
36	B02000502025	SCREW M5×20MM	1				
37	B04000500055	NUT M5MM	1				
38	B13060501205	SCREW M5×12MM	1				
39	B07020000505	WASHER 5MM	1				
40	B04070500055	NUT M5MM	1				
41	B02050503065	SCREW M5×30MM	2				

F03 FRONT WHEEL

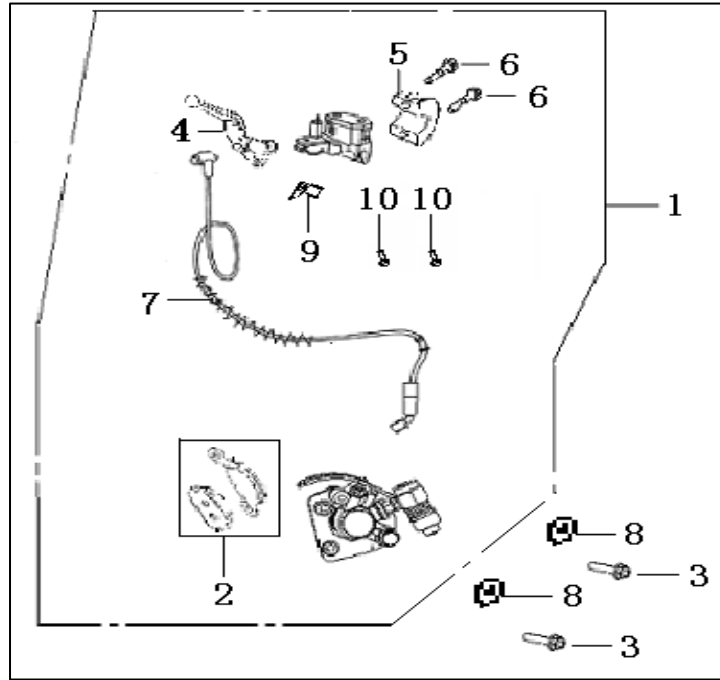
TRIGGER 50 SM



NO.	PART NO.	DESCRIPTION	QTY	DESIGN CHANGE	DATE	APPLY	REMARK
1	44200BPAY000	SEAT ASSY., GEAR	1				
2	44300BM0T000	DUST SEAL ASSY	2				
3	44005BP0Y000	BUSH, FRONT WHEEL	1				
4	44006BP0Y000	SPACER,CENTER ASSY	1				
5	44101BPAY000	RIM, FRONT WHEEL	1				
6	45033BPAY000	FRONT BRAKE DISK	1				
7	45036BP0Y000	BOLT, BRAKE DISK	6				
8	44004BP0Y000	AXIL,FRONT WHEEL	1				
9	B140105E17AB	TUBE 100/80-17	1				
10	B1403Z201100	VALVE Z2-01-1	1				
11	B1404Z2011A0	CAP, VALVE A	1				
12	B12016020200	BEARING 6202-2RS	2				

F04 DISC BRAKE

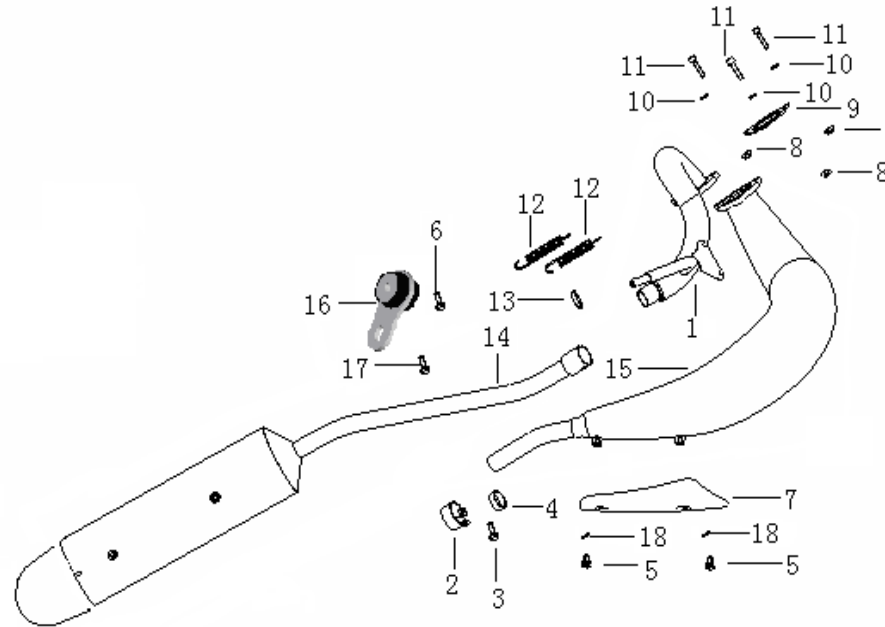
TRIGGER 50 SM



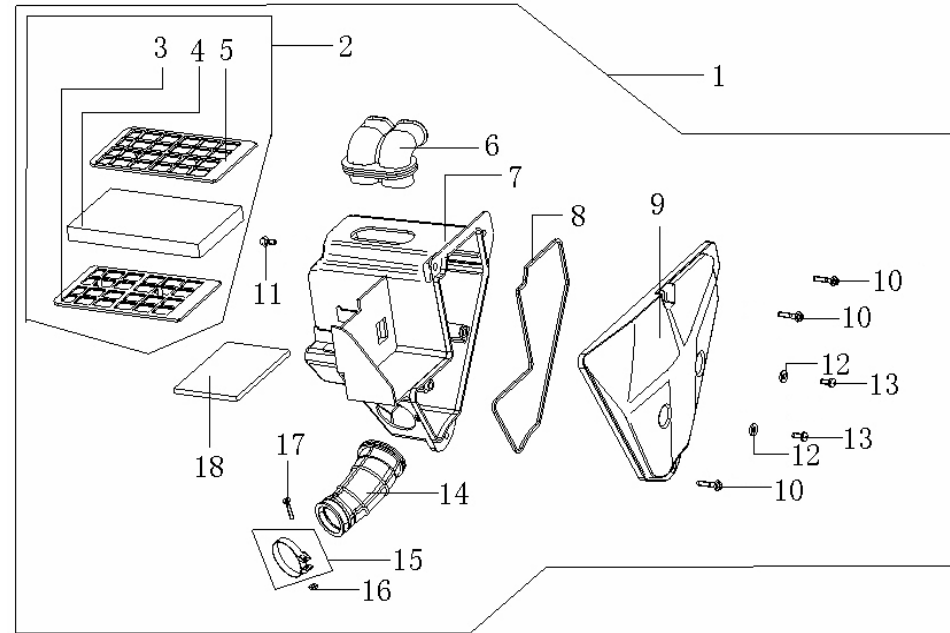
NO.	PART NO.	DESCRIPTION	QTY	DESIGN CHANGE	DATE	APPLY	REMARK
1	45000BPAY000	DISK BRAKE ASSY.	1				
2	45110BP0Y000	BRAKE SHOE ASSY	1				
3	45039BM0T000	BOLT M8×34MM	2				
4	45022BP0Y000	LEVER, DISK BRAKE	1				
5	45023BP0Y000	COVER	1				
6	B02050602565	SCREW M6×25MM	2				
7	45200BPAY000	BRAKE TUBE ASSY	1				
8	B07030000804	WASHER 8MM	2				
9	45300BP0Y000	BRAKE SWITCH ASSY	1				
10	B02000201225	SCREW M2×12MM	2				

F05 MUFFLER

TRIGGER 50 SM



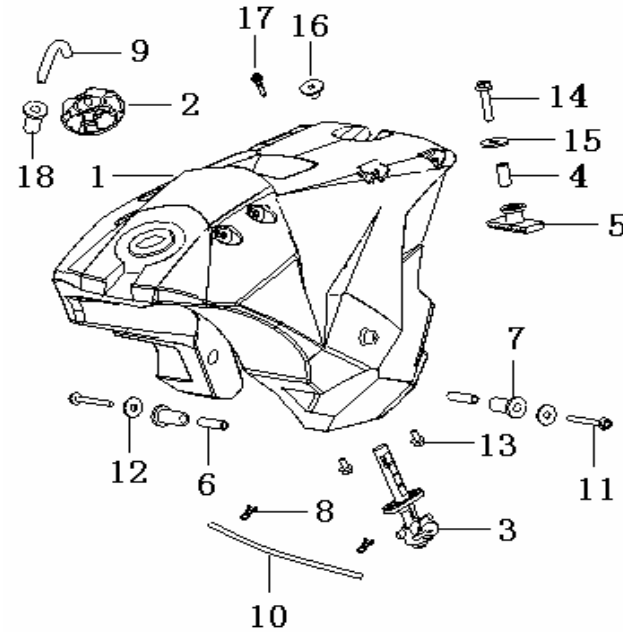
NO.	PART NO.	DESCRIPTION	QTY	DESIGN CHANGE	DATE	APPLY	REMARK
1	47500BP0Y000	EXHAUST PIPE,ASSY	1				
2	47150BP0Y000	CLAMP,ASSY	1				
3	B13010602505	SCREW M6×25MM	1				
4	47035BP0Y000	SPACE	1				
5	B02000601025	SCREW M6×10MM	2				
6	B01090602065	BOLT M6×20MM	1				
7	47009BP0Y000	COVER, PROTECTOR	1				
8	B04070600055	NUT M6MM	3				
9	47121BP0Y000	GASKET, MUFFLER	1				
10	B07030000605	WASHER 6MM	3				
11	B02050602565	SCREW M6×25MM	3				
12	47041BP0Y000	SPRING	2				
13	47811BP0Y000	GASKET	1				
14	48200BP0Y000	MUFFLER COMP,BACK	1				
15	47200BP0Y000	MUFFLER COMP,FRONT	1				
16	47600B0GY000	RUBBER CUSHION ASSY	1				
17	B01090601265	BOLT M6×12MM	1				
18	B07030000605	WASHER 6MM	2				



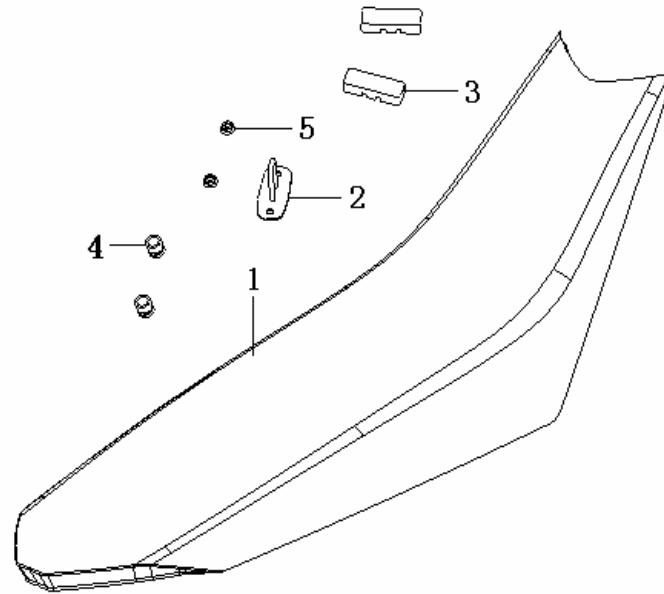
NO.	PART NO.	DESCRIPTION	QTY	DESIGN CHANGE	DATE	APPLY	REMARK
1	49000BP0Y000	AIR CLEANER ASSY.	1				
2	49200BP0Y000	AIR ELEMENT ASSY.	1				
3	49204BP0Y000	FILTRATE1	1				
4	49202BP0Y000	SPONGE AIR ELEMENT	1				
5	49207BP0Y000	FILTRATE2	1				
6	49002BP0Y000	GUIDE PIPE	1				
7	49100BP0Y000	CASE, AIR CLEANER ASSY	1				
8	49013BP0Y000	SEAL GASKET	1				
9	49001BP0Y000	COVER, AIR CLEANER	1				
10	B13060502505	BOLT M5×25MM	3				
11	B02000501625	BOLT M5×16MM	1				
12	49022BP0Y000	GROMMET	2				
13	B13060501205	SCREW M5×12MM	2				
14	49005BP0Y000	CONNECTTING PIPE	1				
15	49350J00P000	CLIP	1				
16	B04270400035	NUT M4MM	1				
17	B02000402525	SCREW M4×25MM	1				
18	49003BP0Y000	SPONGE	1				

F07 FUEL TANK

TRIGGER 50 SM



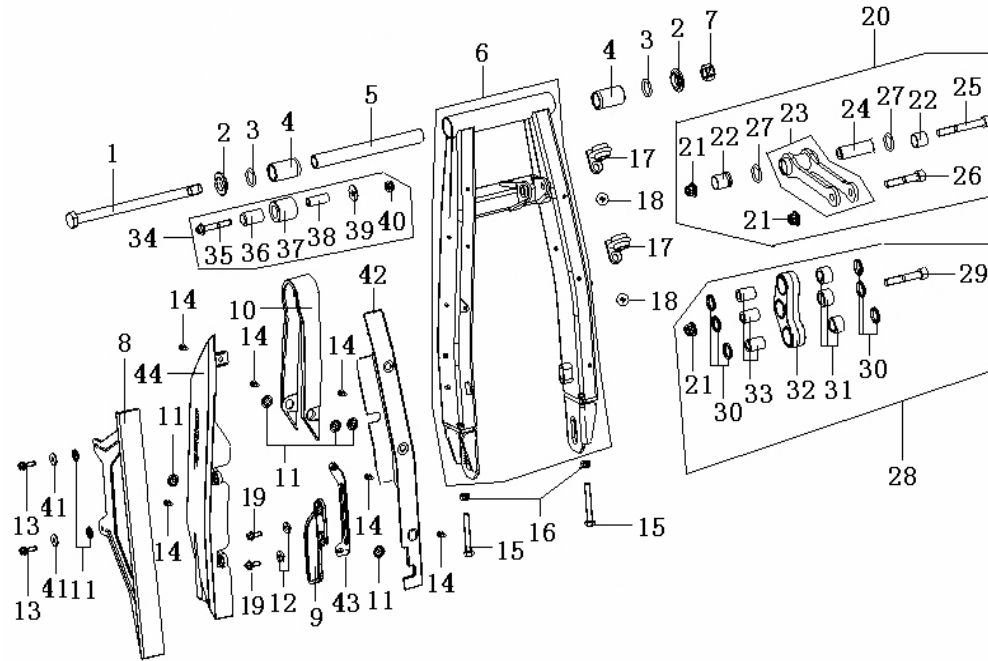
NO.	PART NO.	DESCRIPTION	QTY	DESIGN CHANGE	DATE	APPLY	REMARK
1	50100BP0Y000	FUEL TANK ASSY	1				
2	50200BP0Y000	CAP,FULE TANK	1				
3	50300BP0Y000	STRAINERCOMPASSY,FUEL	1				
4	50025BP0Y000	GASKET II	1				
5	50005BP0Y000	BACK FIXING MAT,FUEL	1				
6	50027BP0Y000	GASKET I	2				
7	50026BP0Y000	FRONT FIXING MAT,FUEL	2				
8	50307J00P000	CLAMP	2				
9	B16010522001	PIPE Ø5×Φ9×200	1				
10	B16010521901	HOSE, FUEL Ø5×Φ9×190	1				
11	B01090605565	BOLT M6×55MM	2				
12	B07090000605	WASHER 6MM	2				
13	B01090601265	BOLT M6×12MM	2				
14	B01090804065	BOLT M8×40MM	1				
15	B07090000805	WASHER 8MM	1				
16	50031BP0Y000	SPACE	1				
17	B01090502565	BOLT M5×25MM	1				
18	50400G0AS000	UNILATERALISM VALVE ASSY	1				



NO.	PART NO.	DESCRIPTION	QTY	DESIGN CHANGE	DATE	APPLY	REMARK
1	51100BP0Y000	SEAT ASSY	1				
2	51150BP0Y000	CATCH COMP LOCK ASSY	1				
3	51103J00P000	RUBBER CUSHION	2				
4	51104K00P000	RUBBER CUSHION	2				
5	B04070600055	NUT M6MM	2				

F09 REAR SWINGING ARM

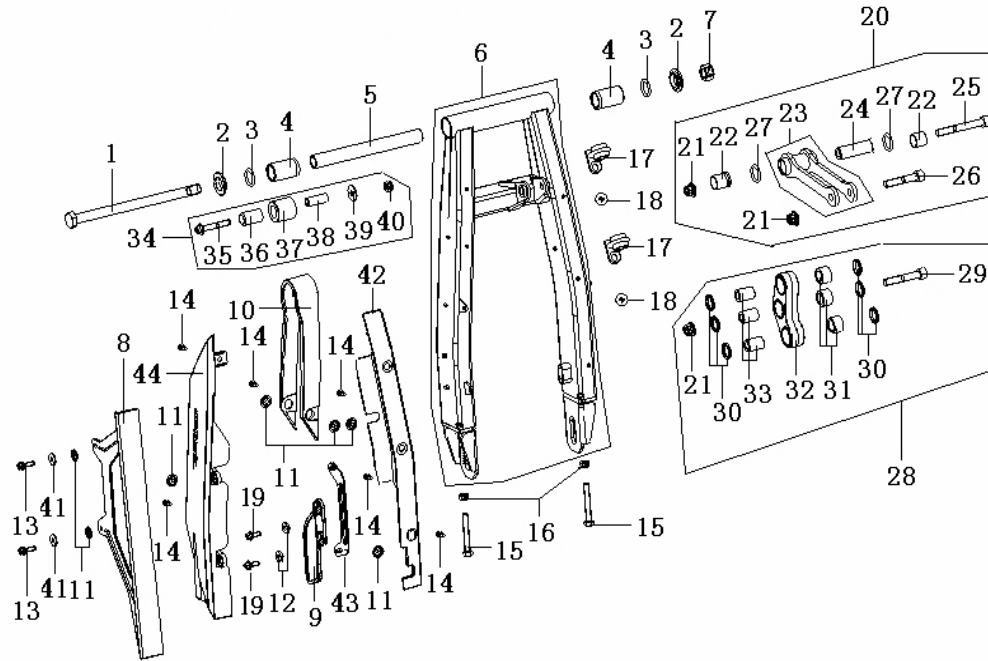
TRIGGER 50 SM



NO.	PART NO.	DESCRIPTION	QTY	DESIGN CHANGE	DATE	APPLY	REMARK
1	53001BP0Y000	SHAFT	1				
2	53017BP0Y000	REAR SWINGING ARM SIDE COVER	2				
3	B190102000C0	O -SEAL RING 20×3.55	2				
4	53006BP0Y000	SPACER	2				
5	53005BP0Y000	INSIDE COLLAR	1				
6	53100BP0Y000	REAR SWINGING BODY	1				
7	B04171415054	NUT M14×1.5MM	1				
8	53053BP0Y000	TOP PROTECTOR COVER CHAIN	1				
9	53054BP0YW50	BELOW PROTECTOR COVER CHAIN	1				
10	53004BP0Y000	CHAIN PROTECTOR BOARD	1				
11	53056BP0Y000	SPACER 2	7				
12	53055BP0Y000	SPACER 1	2				
13	B01090502065	BOLT M5×20MM	2				
14	B02000501225	SCREW M5×12MM	6				
15	B01010806025	BOLT M8×60MM	2				
16	B04000800055	NUT M8MM	2				
17	53009NOJP000	BRAKE HOSE HOLDER	2				
18	B02010601623	SCREW M6×16MM	2				
19	B01090601665	BOLT M6×16MM	2				
20	53300BP0Y000	ARM JOIN ASSY	1				

F09-2 REAR SWINGING ARM

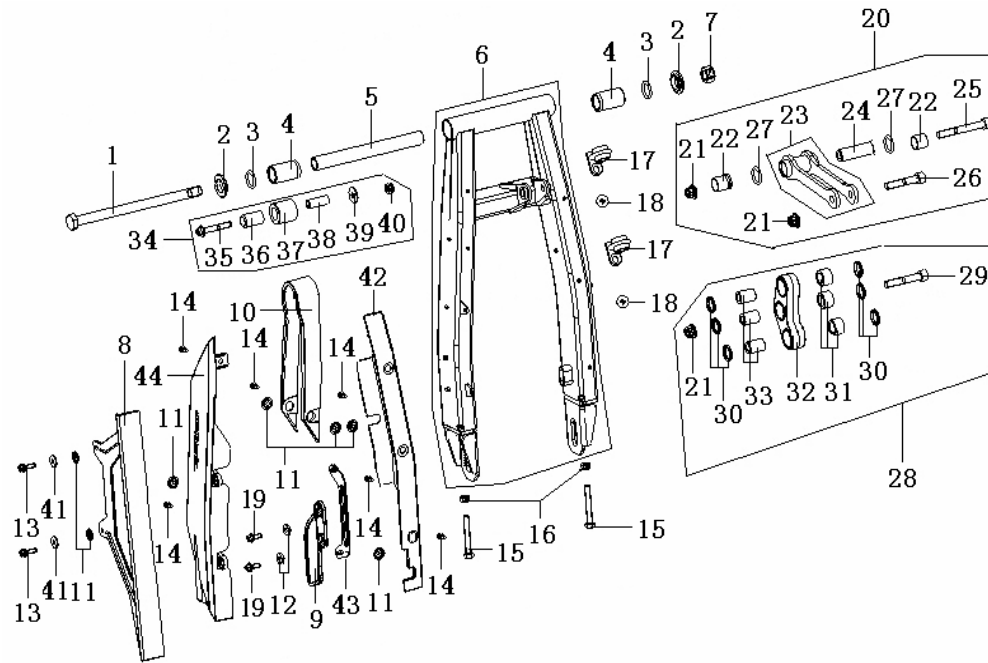
TRIGGER 50 SM



NO.	PART NO.	DESCRIPTION	QTY	DESIGN CHANGE	DATE	APPLY	REMARK
21	B04171012555	NUT M10×1.25MM	3				
22	53301BP0Y000	INSIDE BUSH	2				
23	53310BP0Y000	ARM JOIN COMP	1				
24	53302BP0Y000	COLLAR	1				
25	B02551008565	SCREW M10×1.25×85MM	1				
26	B02551005565	SCREW M10×1.25×55MM	1				
27	53303BP0Y000	O-SEAL RING 18×2.5	2				
28	53240BP0Y000	REAR ABSORBER SWINGING ARM	1				
29	B02551006065	SCREW M10×1.25×60MM	1				
30	53250BP0Y000	DUSTPROOF COVER	6				
31	B1210K161600	BEARING NK16/16	3				
32	53241BP0Y000	REAR ABSORBER SWINGING ARM	1				
33	53242BP0Y000	BUSH	3				
34	53040BP0Y000	CHAIN ADJUST WHEEL ASSY.	1				
35	B01090805065	BOLT M8×50MM	1				
36	53019BP0Y000	BUSH	1				
37	53018BP0Y000	CHAIN ADJUST WHEEL	1				
38	53021BP0Y000	BUSH	1				
39	B07020000805	WASHER 8MM	2				
40	B04070800055	NUT M8MM	1				

F09-3 REAR SWINGING ARM

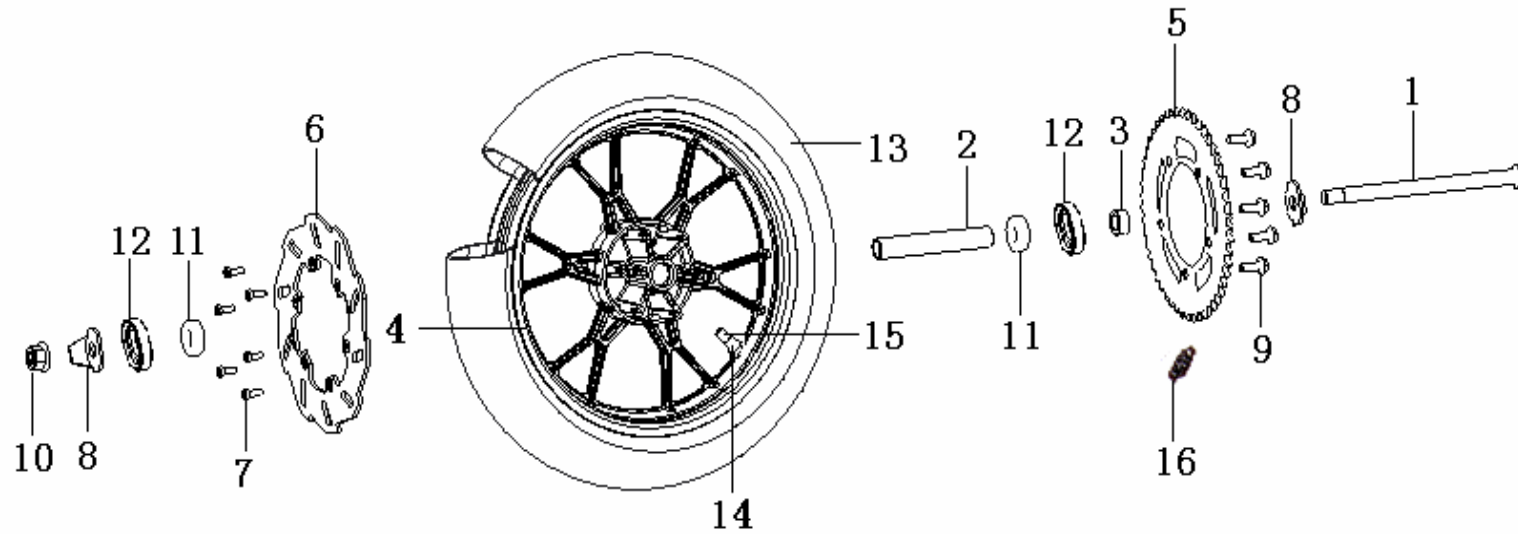
TRIGGER 50 SM



NO.	PART NO.	DESCRIPTION	QTY	DESIGN CHANGE	DATE	APPLY	REMARK
41	B07020000505	WASHER 5MM	2				
42	53052BP0Y000	DECORATE, R, REAR SWINGING ARM	1				
43	53060BP0Y000	STRENGTHEN COMP.	1				
44	53051BP0Y000	DECORATE, L, REAR SWINGING ARM	1				

F10 REAR WHEEL

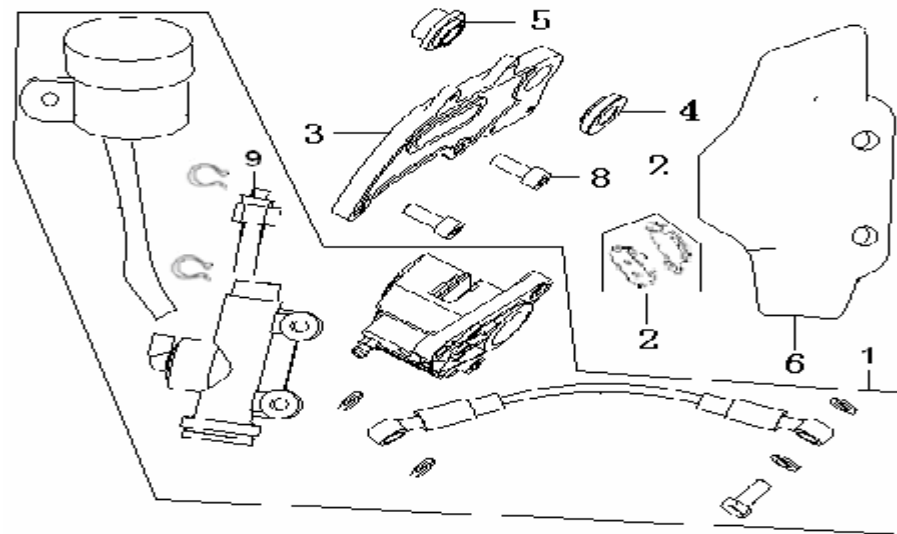
TRIGGER 50 SM



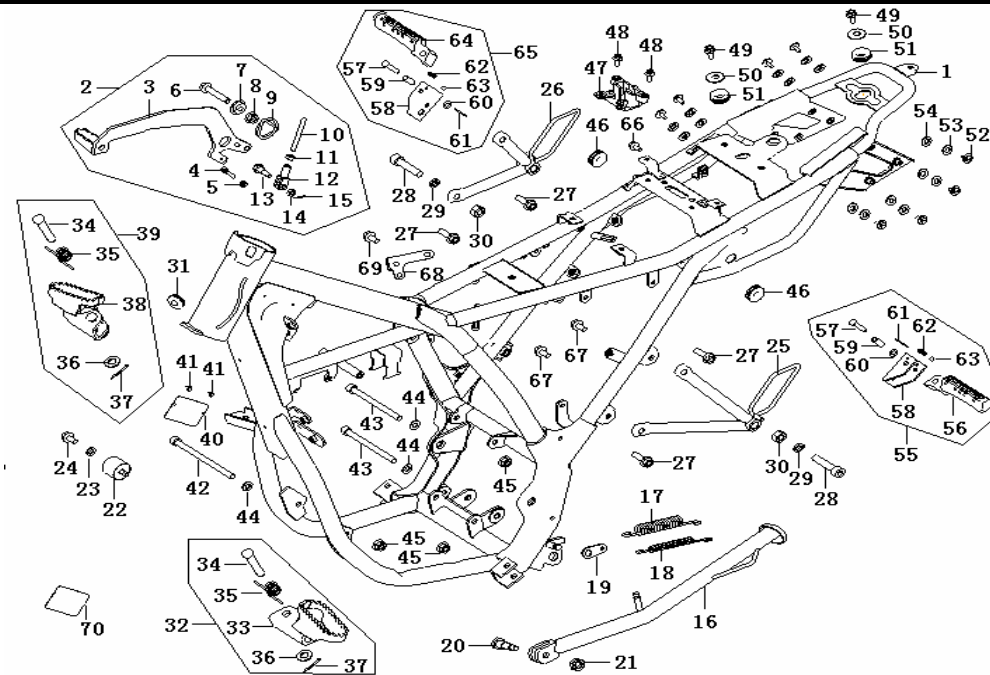
NO.	PART NO.	DESCRIPTION	QTY	DESIGN CHANGE	DATE	APPLY	REMARK
1	54004BP0Y000	AXLE, REAR WHEEL	1				
2	54006BP0Y000	BEARING BUSH	1				
3	54016BP0Y000	SPACER, RR. WHEEL,L.	1				
4	54101BPAY000	RIM, REAR WHEEL	1				
5	60002BP0Y000	SPROKET, CHAIN	1				
6	55033BP0Y000	REAR BRAKE DISK	1				
7	45036BP0Y000	BOLT, BRAKE DISK	6				
8	54032BP0Y000	REAR PRESS BOARD	2				
9	60015BP0Y000	BOLT, SPROKET	5				
10	B04171415054	NUT M14×1.5MM	1				
11	B12016020200	BEARING 6202-2RS	2				
12	44300BM0T000	DUST SEAL ASSY	2				
13	B140108E17AB	TUBE 130/80-17	1				
14	B1403Z201100	VALVE Z2-01-1	1				
15	B1404Z2011A0	CAP, VALVE A	1				
16	B1502V1128B0	DRIVE CHAIN 420DX-1×128	1				

F11 REAR DISC BRAKE

TRIGGER 50 SM



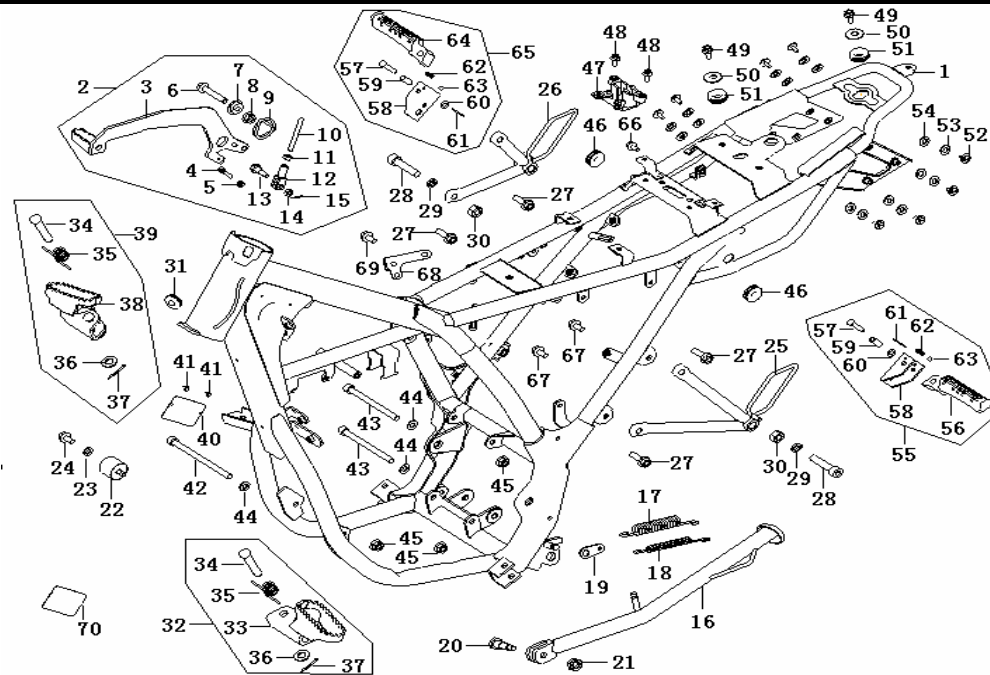
NO.	PART NO.	DESCRIPTION	QTY	DESIGN CHANGE	DATE	APPLY	REMARK
1	55000BP0Y000	BACK DISK BRAKE	1				
2	55110BP0Y000	BRAKE SHOE ASSY	1				
3	55025BP0Y000	BRACKET	1				
4	55049BP0Y000	BUSH I	1				
5	55095BP0Y000	BUSH II	1				
6	55041BP0Y000	DECORATE BOARD	1				
7	55042BP0Y000	BUSH	2				
8	B02050802065	SCREW M8×20MM	2				
9	55300BP0Y000	PRESSURE SENDER ASSY	1				



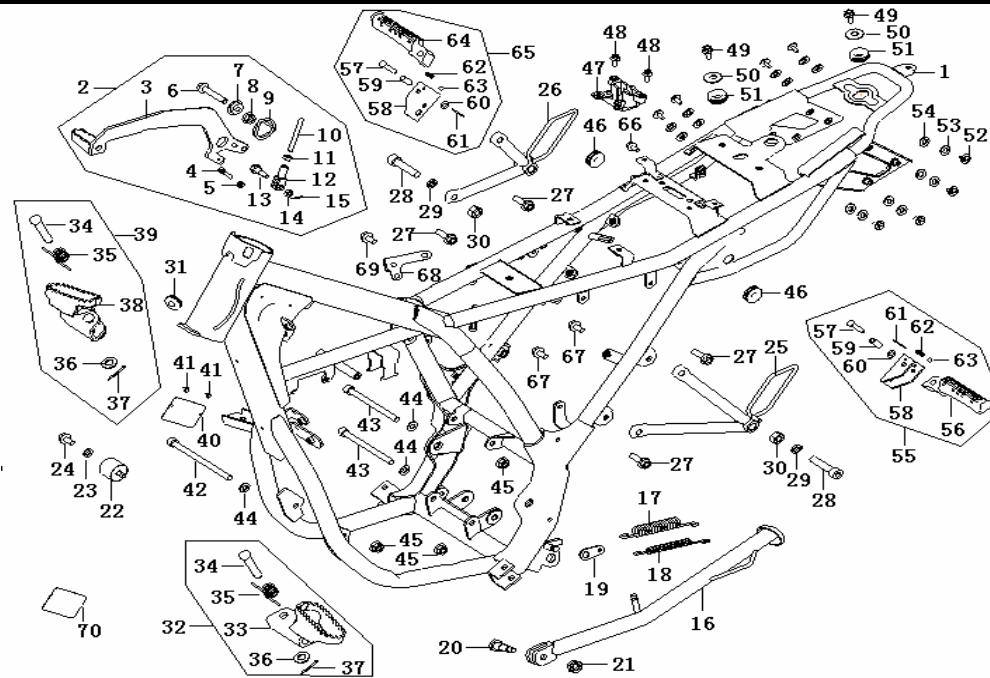
NO.	PART NO.	DESCRIPTION	QTY	DESIGN CHANGE	DATE	APPLY	REMARK
1	57100BP0Y000	FRAME JOINTING ASSY	1				
2	40700BP0Y000	PEDAL ASSY,BRAKE	1				
3	40710BP0Y000	PEDAL JOINTING ASSY,BRAKE	1				
4	B02050603065	SCREW M6×30MM	1				
5	B04000600055	NUT M6MM	1				
6	40718BP0Y000	BOLT	1				
7	40705BP0Y000	SPACER	1				
8	B04080800055	NUT M8MM	1				
9	40709BP0Y000	SPRING	1				
10	40715BP0Y000	PULL ROD	1				
11	B04000600055	NUT M6MM	1				
12	40716BP0Y000	PULL HANDLE	1				
13	40717BP0Y000	BOLT	1				
14	B04000600055	NUT M6MM	1				
15	B090002018A3	SPLIT PIN 2×18MM	1				
16	58700BP0Y000	SIDE STAND	1				
17	57004BP0Y000	SPRING	1				
18	57003BP0Y000	SPRING	1				
19	57006BP0Y000	SPRING PLATE	1				
20	57005BP0Y000	BOLT	1				

F12-2 FRAME

TRIGGER 50 SM



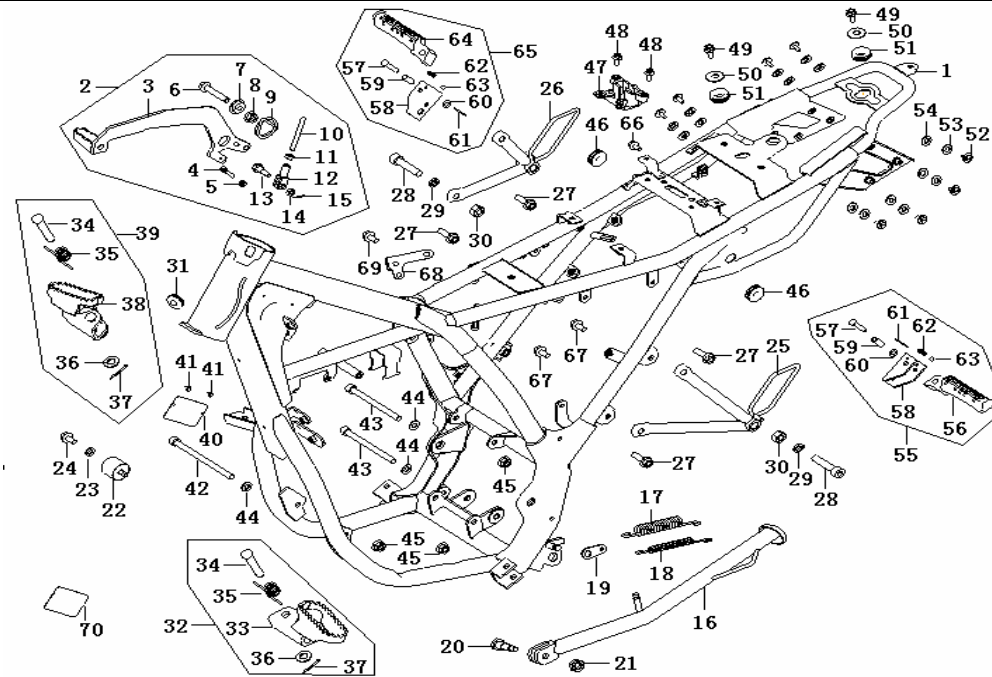
NO.	PART NO.	DESCRIPTION	QTY	DESIGN CHANGE	DATE	APPLY	REMARK
21	B04011012555	NUT M10×1.25MM	1				
22	58920BP0Y000	RUBBER MAT COMP	1				
23	B07030000605	WASHER 6MM	1				
24	B01090601265	BOLT M6×12MM	1				
25	58270BP0Y000	CANAL PEDAL COMP REAR LH	1				
26	58290BP0Y000	CANAL PEDAL COMP REAR RH	1				
27	B01090802565	BOLT M8×25MM	4				
28	B02051004565	SCREW M10×45MM	2				
29	B07000001005	WASHER 10MM	2				
30	B04051000065	NUT M10MM	2				
31	65705J00P000	WASHER	1				
32	58220BP0Y000	PANEL FLOOR COMP LH	1				
33	58250BP0Y000	PANEL FLOOR JOINTING COMP LH	1				
34	57024BP0Y000	PIN	2				
35	58202BP0Y000	SPRING	2				
36	B07030000805	WASHER 8MM	2				
37	B090002018A3	SPLIT PIN 2×18MM	2				
38	58230BP0Y000	PANEL FLOOR JOINTING COMP RH	1				
39	58240BP0Y000	PANEL FLOOR COMP RH	1				
40	57001BPAY000	PLATE,VIN	1				



NO.	PART NO.	DESCRIPTION	QTY	DESIGN CHANGE	DATE	APPLY	REMARK
41	B10000300600	RIVET 3×6MM	2				
42	B02050812065	SCREW M8×120MM	1				
43	B02050810065	SCREW M8×100MM	2				
44	B07030000805	WASHER 8MM	3				
45	B04170800055	NUT M8MM	3				
46	65618J00P000	CUSHION	2				
47	88500BP0Y000	LOCK	1				
48	B01090601265	BOLT M6×12MM	2				
49	B01090801665	BOLT M8×16MM	2				
50	57206BP0Y000	BUSH, MUFFER	2				
51	57209BP0Y000	CUSHION, MUFFER	2				
52	57032BP0Y000	CUSHION	8				
53	B07030000805	WASHER 8MM	8				
54	B13060501205	SCREW M5×12MM	8				
55	58260BP0Y000	PEDAL COMP REAR LH	1				
56	58266BP0Y000	ROD LH	1				
57	58265BP0Y000	PIN	2				
58	58287BP0Y000	MAT FLOOR	2				
59	58284BP0Y000	REAR SPACER PEDAL	2				
60	58263BP0Y000	WASHER	2				

F12-4 FRAME

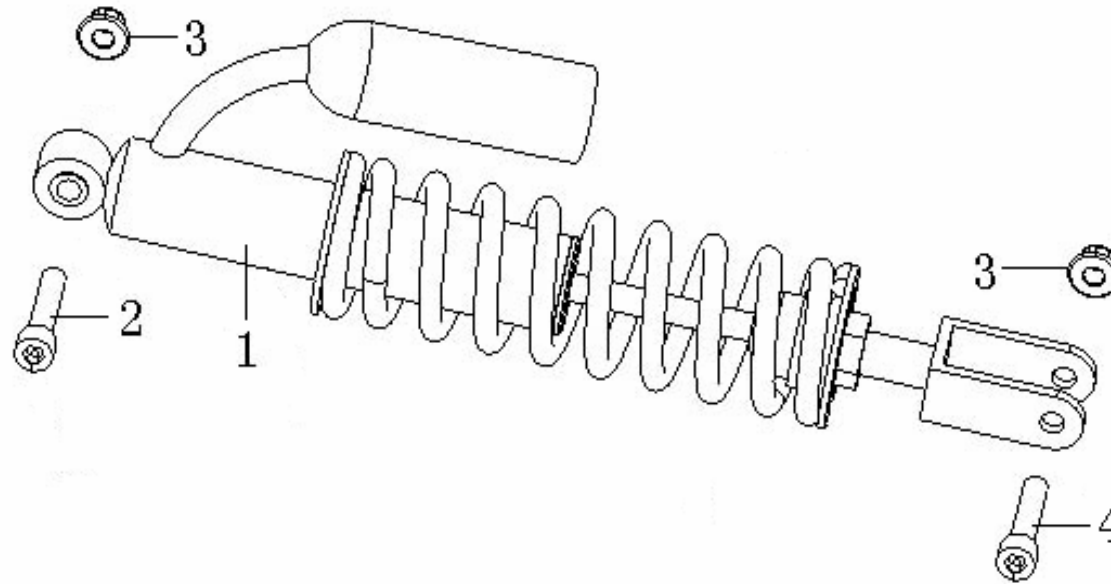
TRIGGER 50 SM



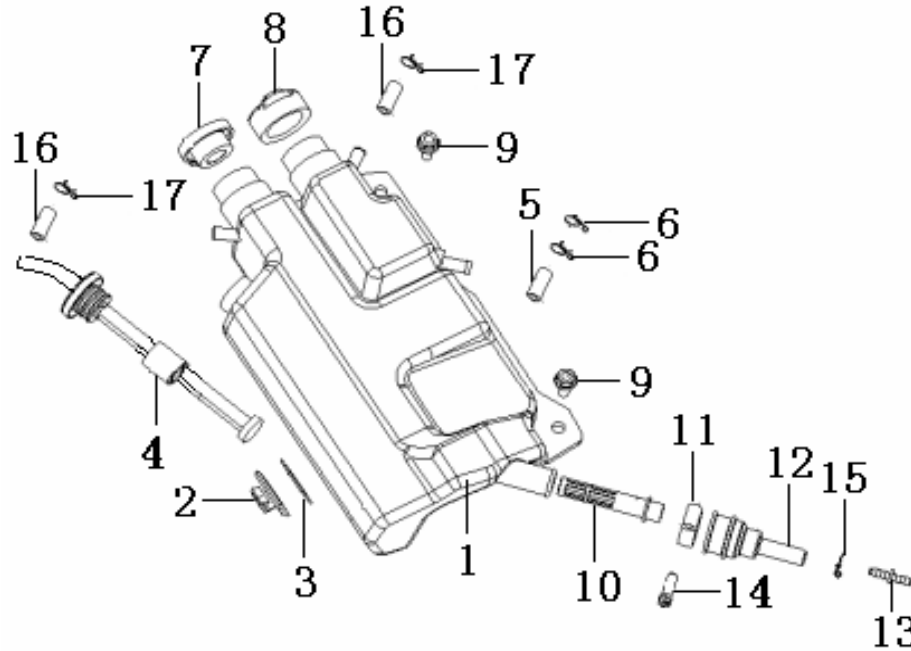
NO.	PART NO.	DESCRIPTION	QTY	DESIGN CHANGE	DATE	APPLY	REMARK
61	B09001602010	SPLIT PIN 1.6×20MM	2				
62	58282BP0Y000	SPRING	2				
63	B06010190000	STEEL BALL 6MM	2				
64	58286BP0Y000	PEDAL ROD RH	1				
65	58280BP0Y000	PEDAL COMP REAR RH	1				
66	B01090601265	BOLT M6×12MM	1				
67	B01090602065	BOLT M6×20MM	2				
68	57173BP0Y000	ENHANCE BOARD, VALVE	1				
69	B01090601265	BOLT M6×12MM	1				
70	57002BP0Y000	PLATE,VIN	1				
71	B07000000805	WASHER 8MM	1				
72	B07030000805	WASHER 8MM	1				
73	B090002018A3	SPLIT PIN 2×18MM	1				

F13 REAR ABSORBER

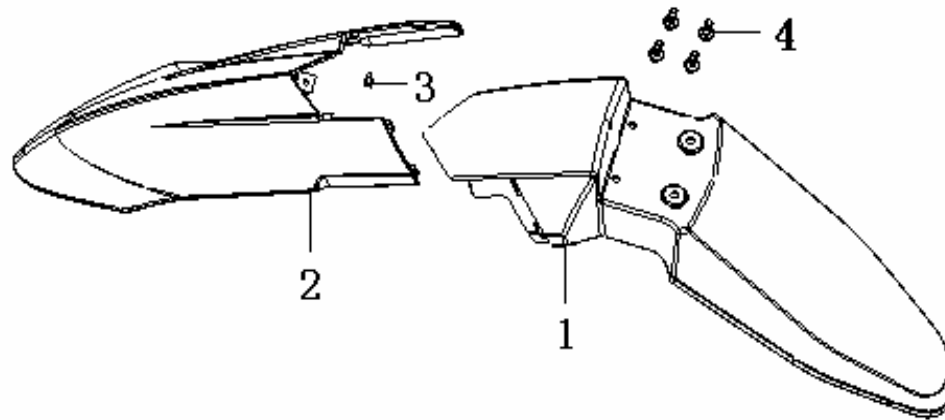
TRIGGER 50 SM



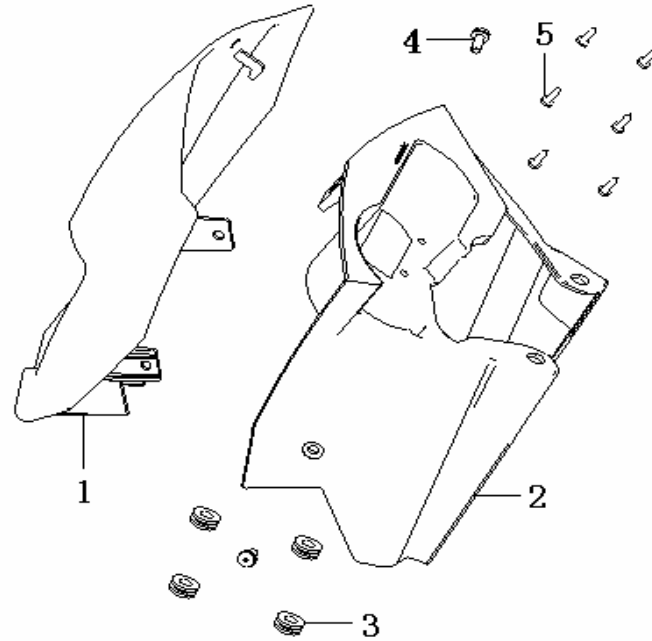
NO.	PART NO.	DESCRIPTION	QTY	DESIGN CHANGE	DATE	APPLY	REMARK
1	63100BP0Y000	RR. ABSORBER COMP	1				
2	B02551005065	BOLT M10×1.25×50MM	1				
3	B04171012555	NUT M10×1.25MM	2				
4	B02551005565	BOLT M10×1.25×55MM	1				



NO.	PART NO.	DESCRIPTION	QTY	DESIGN CHANGE	DATE	APPLY	REMARK
1	64001BP0Y000	OIL TANK	1				
2	64071BP0Y000	HOLDER	1				
3	64072BP0Y000	FILM	1				
4	64100BP0Y000	OIL SENSOR ASSY	1				
5	20603N0TF000	HOSE	1				
6	225234.001000	CLIP 10-16 MM	2				
7	64091BP0Y000	OIL TANK CAP	1				
8	64031BP0Y000	WATER TANK CAP	1				
9	B01090601665	BOLT M6×16MM	2				
10	64050BP0Y000	FILTER ASSY	1				
11	64060BP0Y000	CLIP ASSY	1				
12	64004BP0Y000	OIL TANK PIPE	1				
13	64008BP0Y000	CONNECTOR	1				
14	B02000401625	SCREW M4×16MM	1				
15	B17010080000	CLIP, STEEL WIRE 8MM	1				
16	B16010722501	PIPE Φ7×Φ11×250MM	2				
17	B17010100000	CLIP, STEEL WIRE 10MM	2				



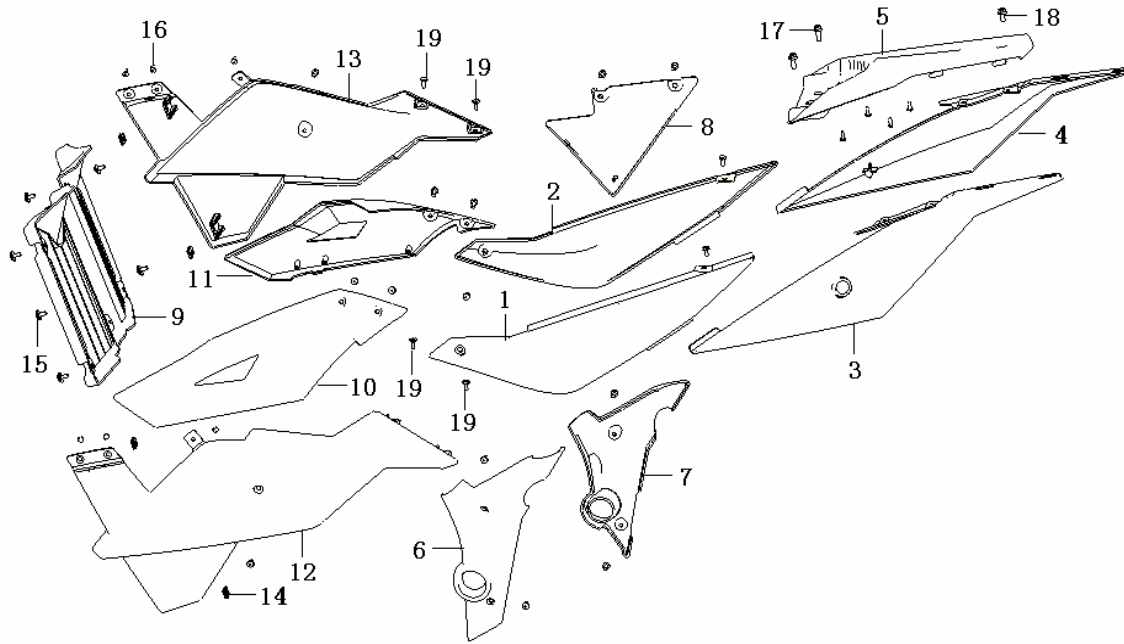
NO.	PART NO.	DESCRIPTION	QTY	DESIGN CHANGE	DATE	APPLY	REMARK
1	65106BP0Y000	FRONT FENDER II	1				
2	65101BPAYBU0	FRONT FENDER I	1				
2	65101BPAYGS0	FRONT FENDER I	1				
3	B05004201305	SCREW ST4.2×13MM	1				
4	B01090601665	BOLT M6×16MM	4				



NO.	PART NO.	DESCRIPTION	QTY	DESIGN CHANGE	DATE	APPLY	REMARK
1	65501BP0YBU0	COWLING	1				
2	65483BP0Y000	BRACKET, SPEEDOMETER	1				
3	65502J00P001	CUSHION	6				
4	B13010501205	SCREW M5x12MM	2				
5	B05074001605	SCREW ST4x16MM	6				

F17 FRAME COVER

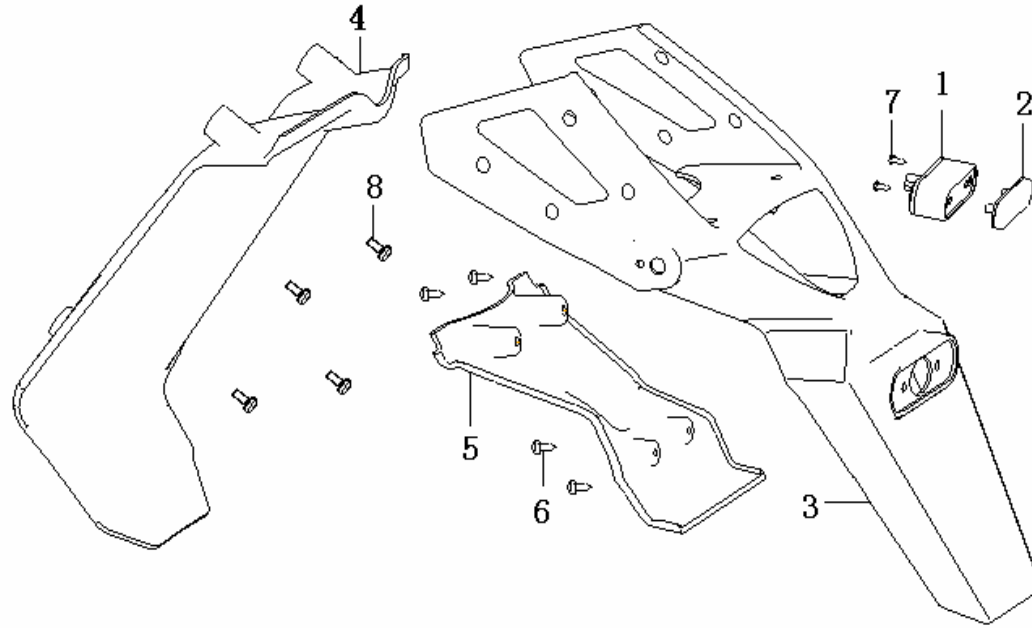
TRIGGER 50 SM



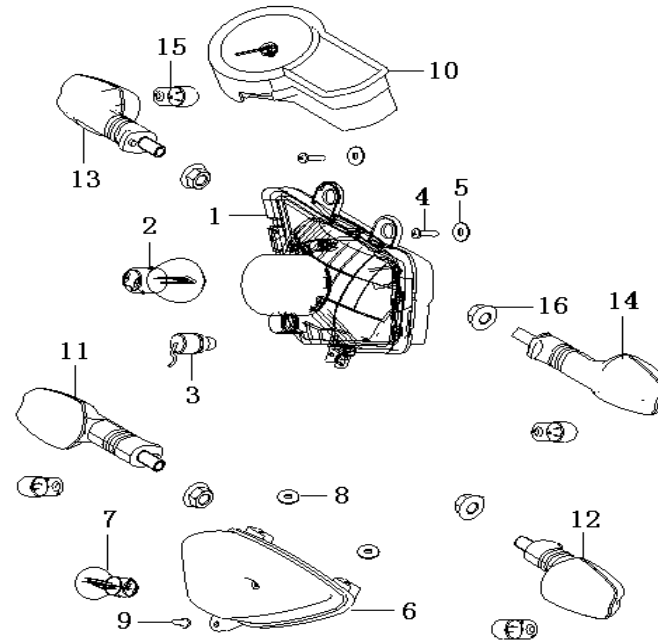
NO.	PART NO.	DESCRIPTION	QTY	NO.	PART NO.	DESC.	QTY
1	65601BP0Y000	LEFT COVER	1	19	B13060501205	SCREW	4
2	65602BP0Y000	RIGHT COVER	1	20	B05004201305	SCREW	4
3	65603BP0YBU0	REAR COVER, LH	1				
3	65603BP0YGS0	REAR COVER, LH	1				
4	65604BP0YBU0	REAR COVER, RH	1				
4	65604BP0YGS0	REAR COVER, RH	1				
5	65605BP0YBU0	JOIN BOARD	1				
5	65605BP0YGS0	JOIN BOARD	1				
6	65001BP0Y000	FRAME COVER, LH	1				
7	65002BP0Y000	FRAME COVER, RH	1				
8	65005BP0Y000	COVER, RH	1				
9	65502BP0Y000	BELOW COWLING	1				
10	65671BP0YBU0	FRONT UP COVER,LH	1				
10	65671BP0YGS0	FRONT UP COVER,LH	1				
11	65681BP0YBU0	FRONT UP COVER,RH	1				
11	65681BP0YGS0	FRONT UP COVER,RH	1				
12	65672BP0YBU0	FORNT DOWN COVER,LH	1				
13	65682BP0YBU0	FRONT DOWN COVER,RH	1				
14	08051J0ET005	NUT	4				
15	B13010501205	SCREW M5×12MM	18				
16	B05004201305	SCREW ST4.2×13MM	14				
17	B01090801665	BOLT M8×16MM	2				
18	B01090601265	BOLT M6×12MM	1				

F18 REAR FENDER

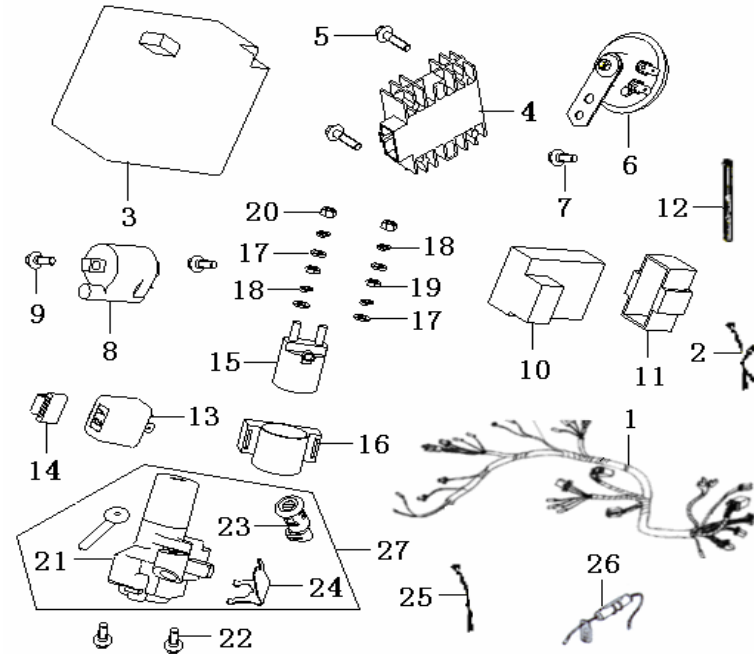
TRIGGER 50 SM



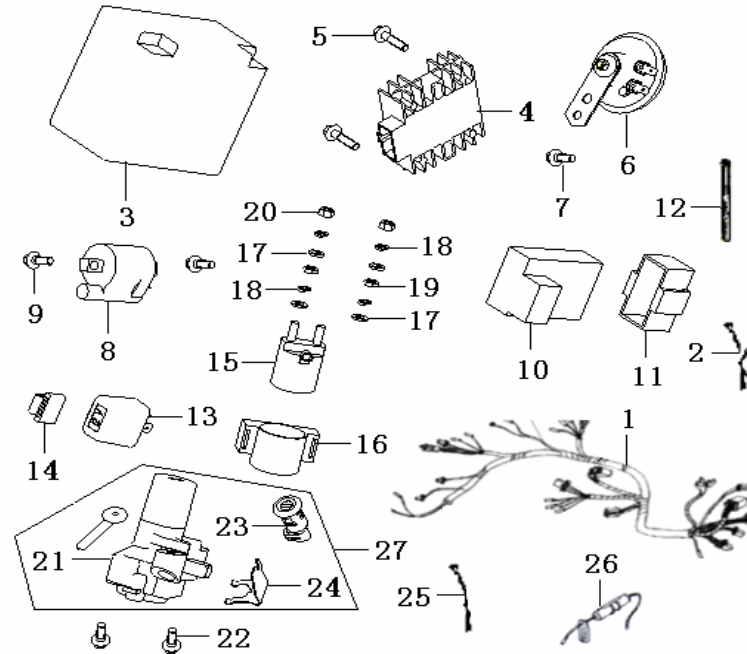
NO.	PART NO.	DESCRIPTION	QTY	DESIGN CHANGE	DATE	APPLY	REMARK
1	82900GB0T000	LAMP ,LICENSE PLATE	1				
2	86500BN0T000	REAR REFLECTOR	1				
3	65701BP0Y000	REAR FENDER I	1				
4	65761BP0Y000	FENDER,REAR	1				
5	65709BP0Y000	REAR FENDER II	1				
6	B05004001205	SCREW ST4×12MM	4				
7	B05004201305	SCREW ST4.2×13MM	2				
8	B13010501205	SCREW M5×12MM	4				



NO.	PART NO.	DESCRIPTION	QTY	DESIGN CHANGE	DATE	APPLY	REMARK
1	80000BP0Y000	HEAD LAMP ASSY.	1				
2	80002BP0Y000	BULB 12V/35W	1				
3	80023BP0Y000	BULB 12V/5W	1				
4	B05004201605	SCREW ST4.2×16MM	2				
5	B07020000505	WASHER 5MM	2				
6	82000BP0Y000	TAIL LAMP ASSY.	1				
7	82005BP0Y000	BULB, TAIL LIGHT 12V21W/5W	1				
8	B07020000405	WASHER 4MM	2				
9	B05004201305	SCREW ST4.2×13MM	1				
10	70000BPAY000	SPEEDOMETER ASSY.	1				
11	81100BP0Y000	LAMP ASSY., FR. TURN SIGNAL, L.	1				
12	81300BP0Y000	LAMP ASSY., FR. TURN SIGNAL, R.	1				
13	81500BP0Y000	LAMP ASSY., RR. TURN SIGNAL, L.	1				
14	81700BP0Y000	LAMP ASSY., RR. TURN SIGNAL, R.	1				
15	81004BP0Y000	BULB, 12V/10W	4				
16	B04071000053	NUT M10MM	4				



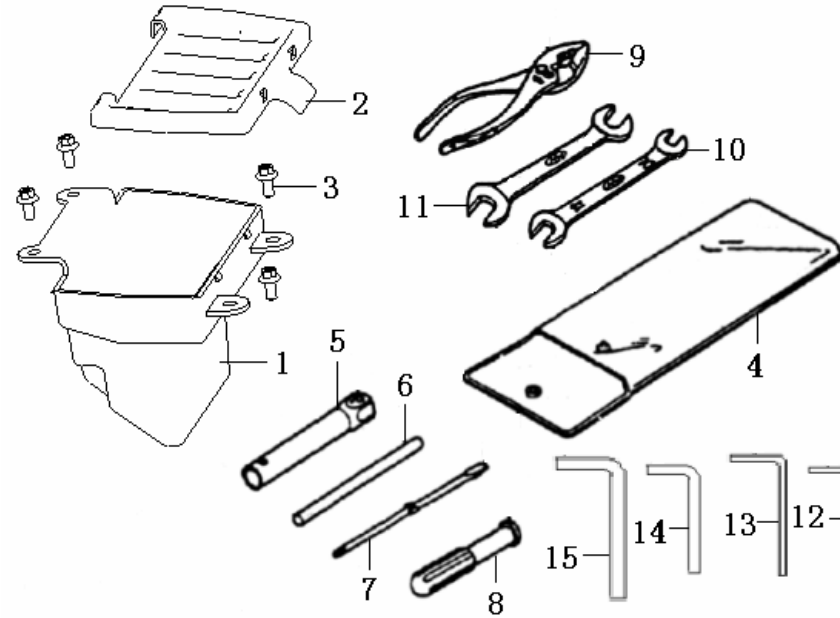
NO.	PART NO.	DESCRIPTION	QTY	DESIGN CHANGE	DATE	APPLY	REMARK
1	92000BP0Y000	HARNES, WIRING	1				
2	96900BP0Y000	WIRE, EARTH	1				
3	96100BP0Y000	BATTERY	1				
4	98801BP0Y000	RECTIFIER	1				
5	B01090602565	BOLT M6×25MM	2				
6	95000BSAT000	HORN ASSY.	1				
7	B01090601265	BOLT M6×12MM	1				
8	96200BP0Y000	COIL ASSY., IGNITION	1				
9	B01090501665	BOLT M5×16MM	2				
10	97701BP0Y000	C.D.I	1				
11	96007K00P000	COVER, C.D.I	1				
12	96003BP0Y000	BAND 3×80MM	2				
13	96400B20T000	RELAY, TURN SIGNAL	1				
14	96401B20T000	COVER, RELAY, TURN SIGNAL	1				
15	94000BP0Y000	RELAY, KICK STARTER	1				
16	94008BP0Y000	COVER, RELAY, KICK STARTER	1				
17	B07030000603	WASHER 6MM	4				
18	B07000000603	WASHER 6MM	4				
19	B04020600013	NUT M6MM	2				
20	B04000600053	NUT M6MM	2				



NO.	PART NO.	DESCRIPTION	QTY	DESIGN CHANGE	DATE	APPLY	REMARK
21	88100BP0Y000	LOCK ASSY.	1				
22	B02050602065	SCREW M6×20MM	2				
23	88801B0DT000	LOCK ASSY.	1				
24	88802B0DT000	FIXTURE	1				
25	58900BP0Y000	CABLE ASSY, SEAT	1				
26	96830J00P000	FUSE COMP.	1				
27	88000BP0Y000	LOCK ASSY.	1				

F21 TOOL KIT

TRIGGER 50 SM



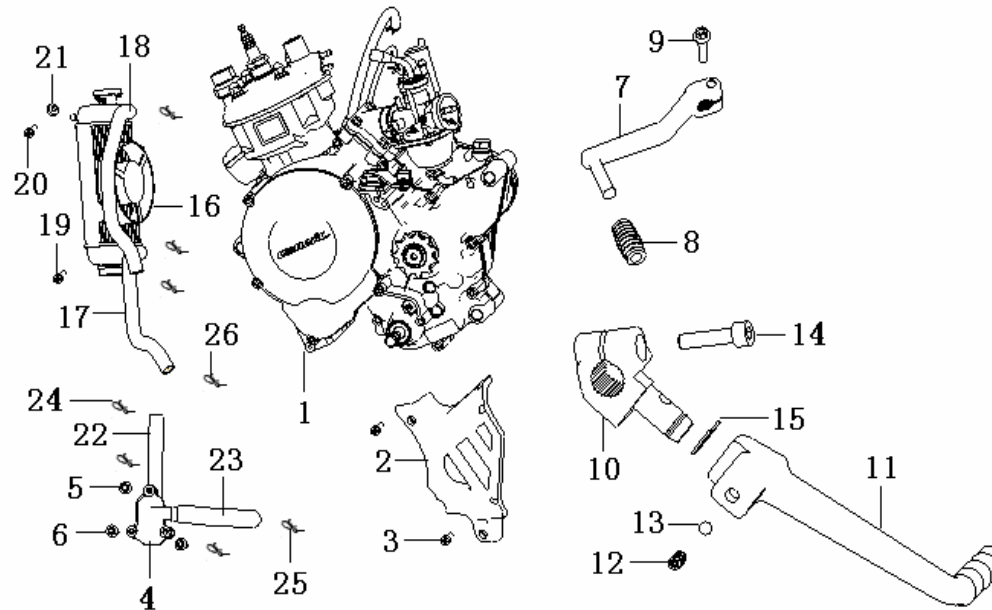
NO.	PART NO.	DESCRIPTION	QTY	DESIGN CHANGE	DATE	APPLY	REMARK
1	02131BP0Y000	TOOL KIT	1				
2	02132BP0Y000	COVER, TOOL KIT	1				
3	B01090601265	BOLT M6×12MM	4				
4	02110BMBT000	TOOL BAG	1				
5	02102BM0T000	SOCKET, SPARK PLUG	1				
6	02101BM0T000	SPANNER, SPARK PLUG	1				
7	02103BM0T000	SCREW DRIVER, DOUBLE-HEADED	1				
8	02104BM0T000	HANDLE	1				
9	02112BMBT000	PLIERS	1				
10	B20011001203	DOUBLE-ENDED SPANNER10-12MM	1				
11	B20011301603	DOUBLE-ENDED SPANNER13-16MM	1				
12	B20020400003	HEXAGON RING WRENCH 4MM	1				
13	B20020500003	HEXAGON RING WRENCH 5MM	1				
14	B20020600003	HEXAGON RING WRENCH 6MM	1				
15	B20020800003	HEXAGON RING WRENCH 8MM	1				
16	02114BM0T000	FILTER, OIL TANK					



NO.	PART NO.	DESCRIPTION	QTY	DESIGN CHANGE	DATE	APPLY	REMARK
1	05511BPAY000	DECAL, FRAME COVER R.R	1				
2	05511BPAY001	DECAL, FRAME COVER R.R	1				
3	05512BPAY000	DECAL, FRAME COVER R.R	1				
4	05512BPAY001	DECAL, FRAME COVER R.R	1				
5	05513BPAY000	DECAL, FRAME COVER F.R.D	1				
6	05513BPAY001	DECAL, FRAME COVER F.R.D	1				
7	05514BPAY000	DECAL, FRAME COVER F.L.D	1				
8	05514BPAY001	DECAL, FRAME COVER F.L.D	1				
9	05515BPAY000	DECAL, FRAME COVER F.U	2				
10	05515BPAY001	DECAL, FRAME COVER F.U	2				

F23 ENGINE ATTACHMENT

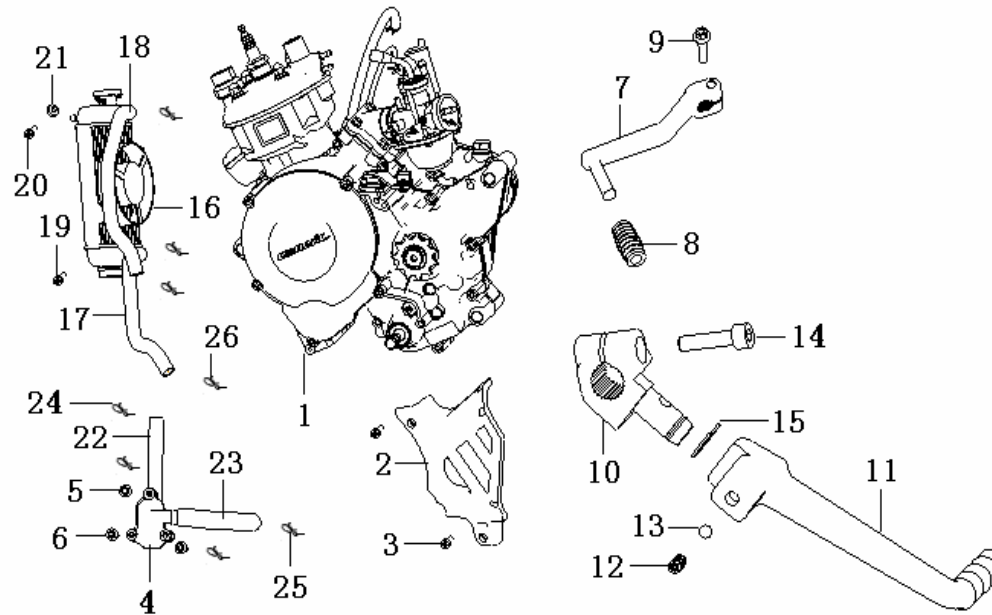
TRIGGER 50 SM



NO.	PART NO.	DESCRIPTION	QTY	DESIGN CHANGE	DATE	APPLY	REMARK
1	10000B15F000	ENGIN ASSY	1				
2	207201.051000	SIDE COVER, L.R	1				
3	B02050502064	SCREW M5×20MM	2				
4	49800BP0Y000	UNILATERALISM VALVE ASSY	1				
5	B01090603065	BOLT M6×30MM	1				
6	B01090604065	BOLT M6×40MM	2				
7	08383BP0Y000	ROCKERARM,LEVEL ASSY	1				
8	08372BP0Y000	RUBBER, GEAR SHIFT	1				
9	B01090602565	BOLT M6×25MM	1				
10	08353BP0Y000	CONNECTOR,MULTIPLE SPLINE	1				
11	08351BP0Y000	LEVER ASSY, KICK STARTER	1				
12	08354J00P000	SPRING,LEVEL ASSY KICK STARTER	1				
13	B06010160000	FRICTION BALI 5.5MM	1				
14	B02050602565	SCREW M6×25MM	1				
15	B08030000905	CHECK ROD 9MM	1				
16	QJIE40MB-2.09	CONDENSER ASSY	1				
17	QJIE40MB-2.09-02	OUT HOSE	1				
18	QJIE40MB-2.09-01	INTO HOSE	1				
19	B01090601665	BOLT M6×16MM	1				
20	B01090601265	BOLT M6×12MM	1				

F23-2 ENGINE ATACHMENT

TRIGGER 50 SM



NO.	PART NO.	DESCRIPTION	QTY	DESIGN CHANGE	DATE	APPLY	REMARK
21	B07090000605	WASHER 6MM	1				
22	B160113B1451	PIPE $\Phi 13 \times \Phi 18 \times 145\text{mm}$	1				
23	B16010945001	PIPE $\Phi 9 \times \Phi 17 \times 500\text{mm}$	1				
24	49804BP0Y000	CLIP 17.5MM	2				
25	49805BP0Y000	CLIP 16.5MM	2				
26	225234.003000	CLIP 16-25MM	4				
27	08350BP0Y000	LEVER ASSY, KICK STARTER ASSY	1				