

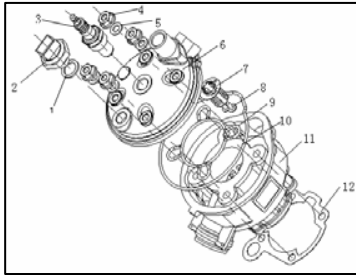
TRIGGERX

&

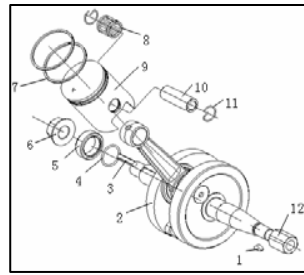
TRIGGER SM

INDEX - ENGINE Vers. 2007.01

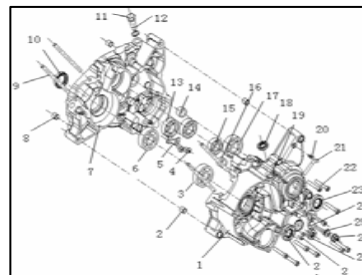
E01 CYLINDER HEAD ASSY



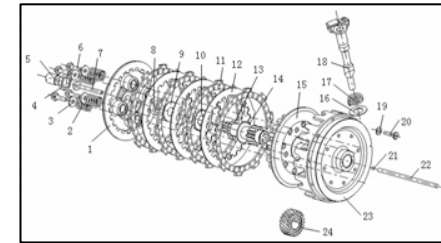
E02 PISTON,CONNECTING ROD & CRANKSHAFT ASSY



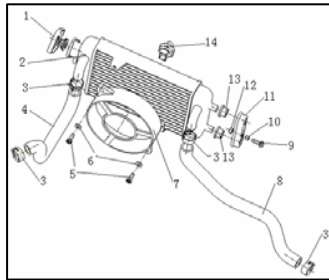
E03 CRANKCASE ASSY



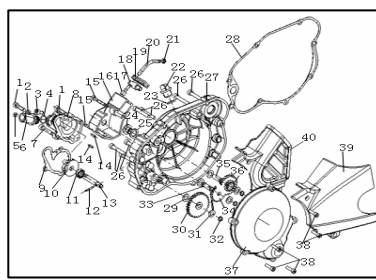
E04 CLUTCH



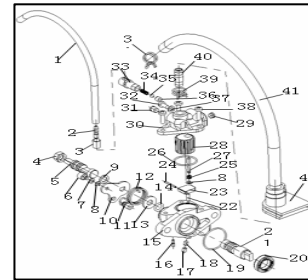
E05 RADIATOR



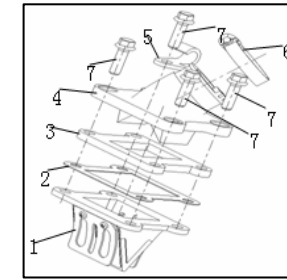
E06 CRANKCASE COVER



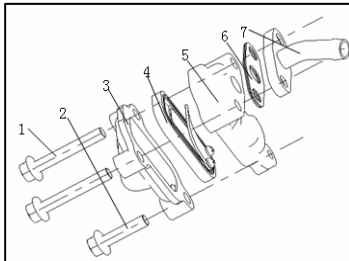
E07 OIL PUMP



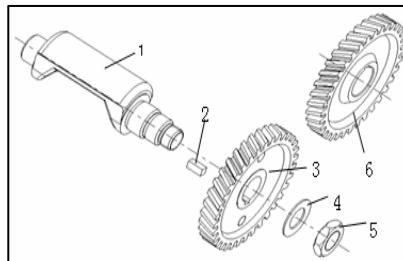
E08 REED VALVE AND AIR DUCT COMPONENTS



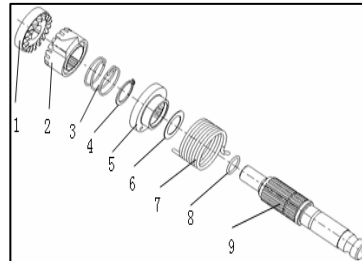
E09 SECONDARY AIR ASSY



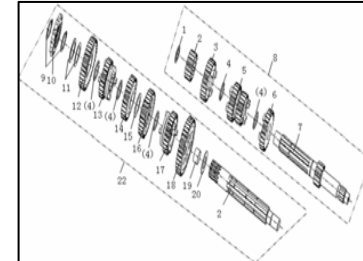
E10 SHAFT ASSY.,BALANCER



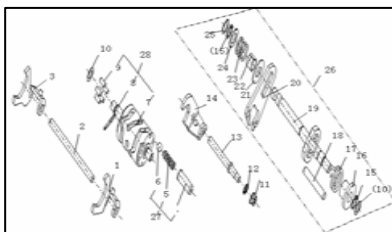
E11 KICK STARTER ASSY



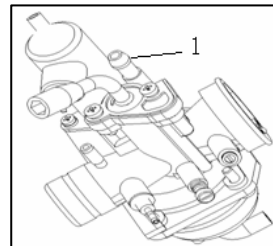
E12 DRIVE&DRIVEN SHAFT ASSY.



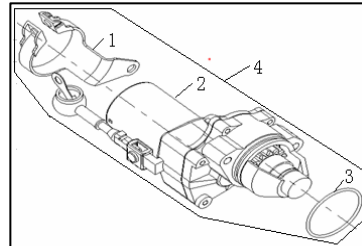
E13 GEARSHIFT MECHANISM



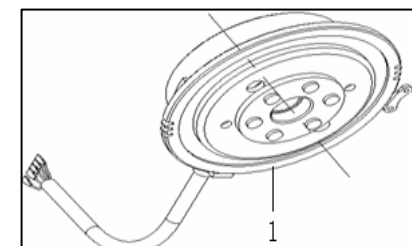
E14 CARBURETOR ASSY



E15 STARTING MOTOR

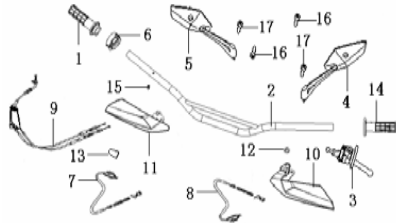


E1& GENERATOR

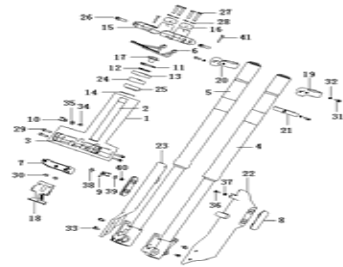


INDEX - FRAME 1 Vers. 2007.01

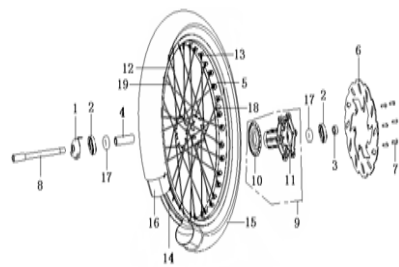
F01 STEERING



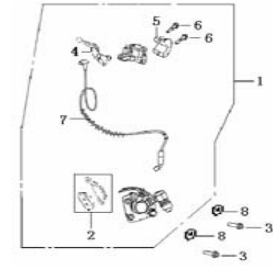
F02 FRONT FORK



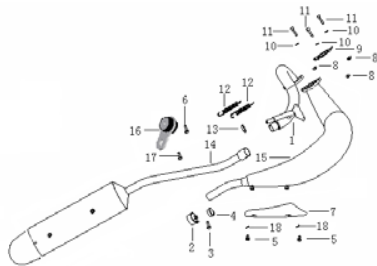
F03 FRONT WHEEL



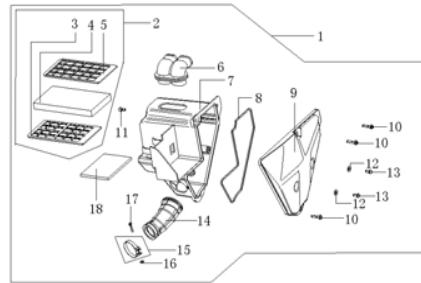
F04 FRONT DISC BRAKE



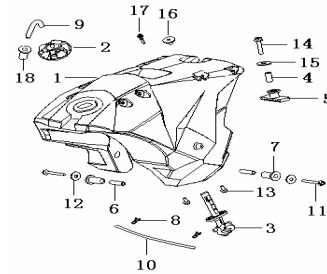
F05 MUFFLER



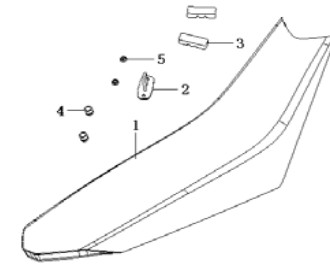
F06 AIR CLEANER



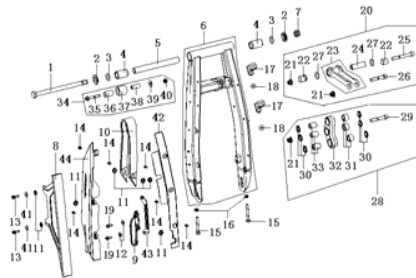
F07 FUEL TANK



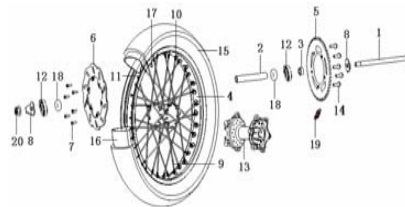
F08 SEAT



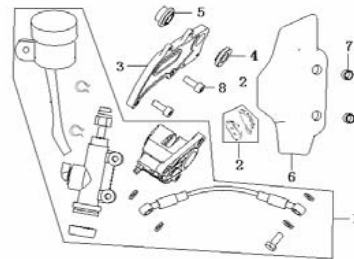
F09 REAR SWINGING ARM



F10 REAR WHEEL



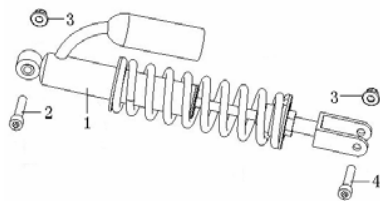
F11 REAR DISC BRAKE



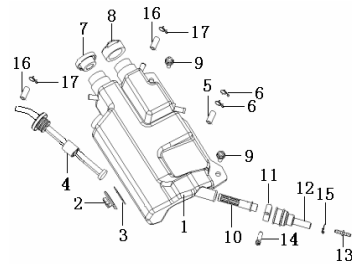
F12 FRAME



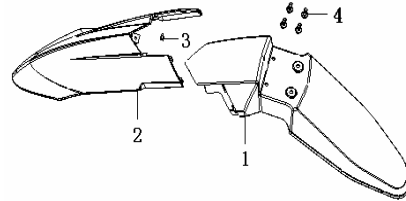
F13 REAR SHOCK ABSORBER



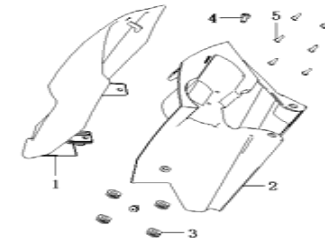
F14 OIL TANK



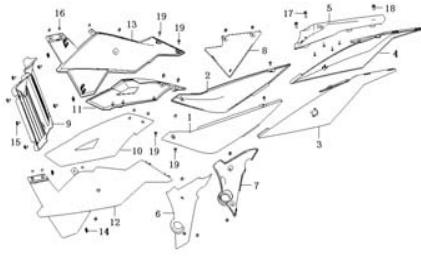
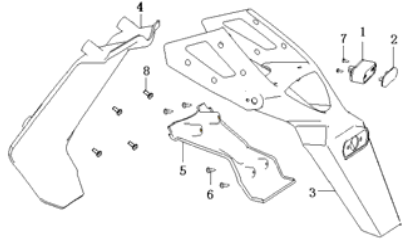
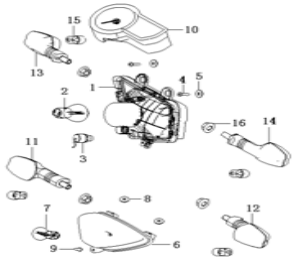
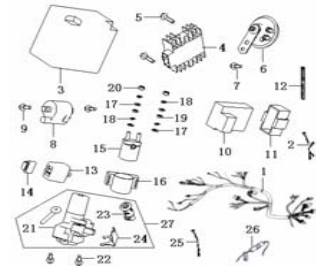
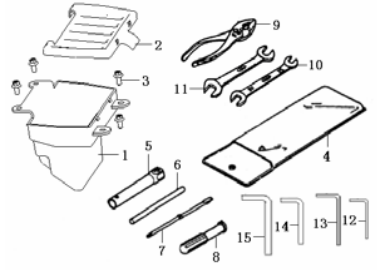
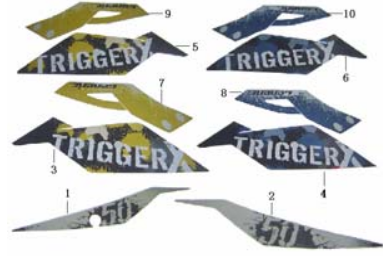
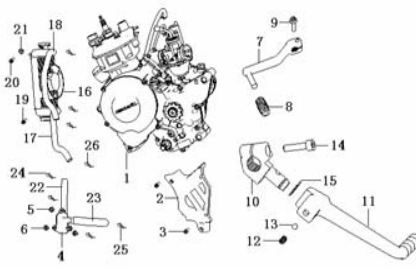
F15 FRONT FENDER



F16 COWLING

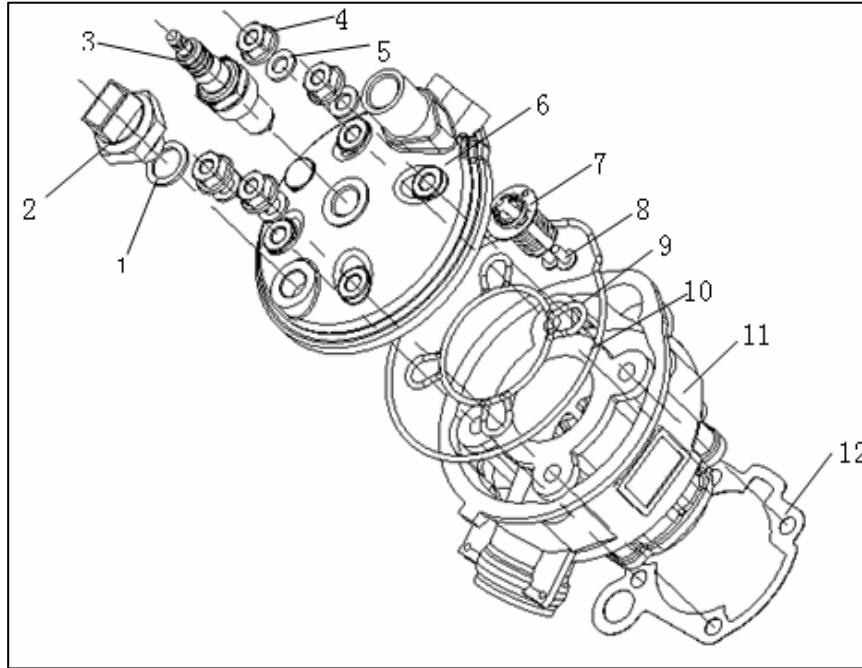


INDEX - FRAME 2 Vers. 2007.01

| F17 FRAME COVER | F18 REAR FENDER | F19 ELECTRIC 1 | F20 ELECTRIC 2 |
|---|--|---|---|
|  |  |  |  |
| F21 TOOL KIT | F22 STICKER | F23 ENGINE ATTACHMENT | |
|  |  |  | |
| | | | |
| | | | |

E01 CYLINDER HEAD ASSY

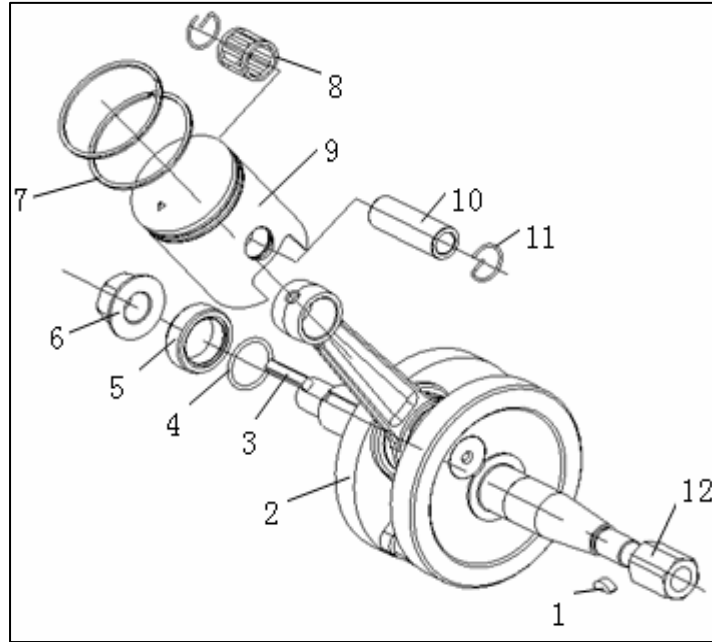
TRIGGER 50 X



| NO. | PART NO. | DESCRIPTION | QTY | DESIGN CHANGE | DATE | APPLY | REMARK |
|-----|-----------------|-----------------------------|-----|---------------|------|-------|--------|
| 1 | 307991500320 | WASHER | 1 | | | | |
| 2 | 31200000B15F000 | COVER, THERMOSTAT | 1 | | | | |
| 3 | 31100000B15F000 | SPARK PLUG | 1 | | | | |
| 4 | 304290700068 | HEXAGON NUT WITH FLANGE | 4 | | | | |
| 5 | 31000006B15F000 | WASHER, PLAIN | 4 | | | | |
| 6 | 201200.087000 | CYLINDER HEAD | 1 | | | | |
| 7 | 31300000B15F000 | WATER TEMPERATURE REGULATOR | 1 | | | | |
| 8 | 313050401065 | SCREW M4X10 | 2 | | | | |
| 9 | 31000003B15F000 | SMALL SEAL RING | 1 | | | | |
| 10 | 31000004B15F000 | BIG SEAL RING | 1 | | | | |
| 11 | 25000002B15F000 | CYLINDER | 1 | | | | |
| 12 | 25000001B15F000 | GASKER CYLINDER | 1 | | | | |

E02 PISTON,CONNECTING ROD & CRANKSHAFT ASSY

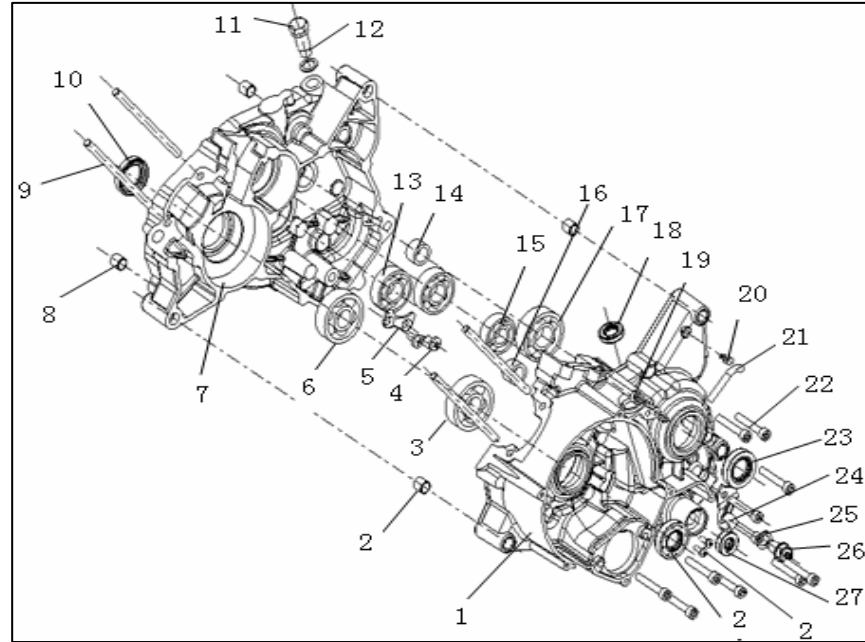
TRIGGER 50 X



| NO. | PART NO. | DESCRIPTION | QTY | DESIGN CHANGE | DATE | APPLY | REMARK |
|-----|-----------------|----------------------------|-----|---------------|------|-------|--------|
| 1 | 208421.003000 | KEY | 1 | | | | |
| 2 | 208100.026000 | CRANKSHAFT & CONROD ASSY | 1 | | | | |
| 3 | 208421.006000 | KEY B4X20 | 1 | | | | |
| 4 | 15000002B15F000 | RING 15.5X1.5 | 1 | | | | |
| 5 | 208413.009000 | CRANKSHAFT OIL SEALED BUSH | 1 | | | | |
| 6 | 208228.008000 | HEXAGON NUT WITH FLANGE | 1 | | | | |
| 7 | 15100001B15F000 | RING | 2 | | | | |
| 8 | 15100006B15F000 | BEARING | 1 | | | | |
| 9 | 15100003B15F000 | PISTON | 1 | | | | |
| 10 | 15100004B15F000 | PIN,PISTON | 1 | | | | |
| 11 | 15100005B15F000 | CIRCLIP | 2 | | | | |
| 12 | 208228.009000 | NUT,LOCK | 1 | | | | |

E03 CRANKCASE ASSY

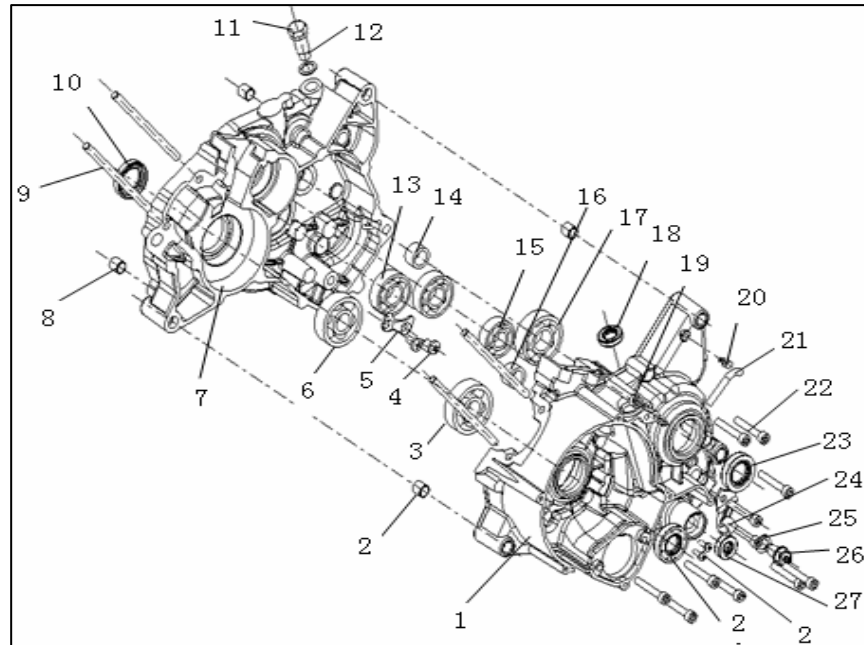
TRIGGER 50 X



| NO. | PART NO. | DESCRIPTION | QTY | DESIGN CHANGE | DATE | APPLY | REMARK |
|-----|-----------------|------------------------|-----|---------------|------|-------|--------|
| 1 | 26100007B15F000 | CRANKCASE,LEFT | 1 | | | | |
| 2 | 206505.010000 | PIN,DOWEL | 2 | | | | |
| 3 | B12060303N64 | BEARING,RADIAL BALL | 1 | | | | |
| 4 | 302220601262 | SCREW M6X12 | 2 | | | | |
| 5 | 206228.003000 | BEARING PRESSURE PLATE | 1 | | | | |
| 6 | B12060303N64 | BEARING,RADIAL BALL | 1 | | | | |
| 7 | 206300.078000 | CRANKCASE,RIGHT | 1 | | | | |
| 8 | 320070080121 | PIN,DOWEL | 2 | | | | |
| 9 | 206226.012000 | STUDBOLT,CYLINDER | 4 | | | | |
| 10 | 206243.001000 | OIL SEAL II | 1 | | | | |
| 11 | 26000005B15F000 | LOCATING SCREW | 1 | | | | |
| 12 | 206238.001000 | WASHER | 1 | | | | |
| 13 | B12060203N70 | BEARING,RADIAL BALL | 2 | | | | |
| 14 | 312914201200 | BEARING | 1 | | | | |
| 15 | B12060202N70 | BEARING,RADIAL BALL | 1 | | | | |
| 16 | 312914201200 | BEARING | 1 | | | | |
| 17 | B12060204N70 | BEARING,RADIAL BALL | 1 | | | | |
| 18 | 317313524051 | SEAL 13.7X24X5 | 1 | | | | |
| 19 | 302040605000 | SCREW M6X50 | 1 | | | | |
| 20 | 26100006B15F000 | HOSE,BREATHER | 1 | | | | |
| 21 | 206208.018000 | HOSE,BREATHER | 1 | | | | |
| 22 | B02040604085 | | 12 | | | | |
| 23 | 206243.002000 | OIL SEAL | 1 | | | | |

E03-2 CRANKCASE ASSY

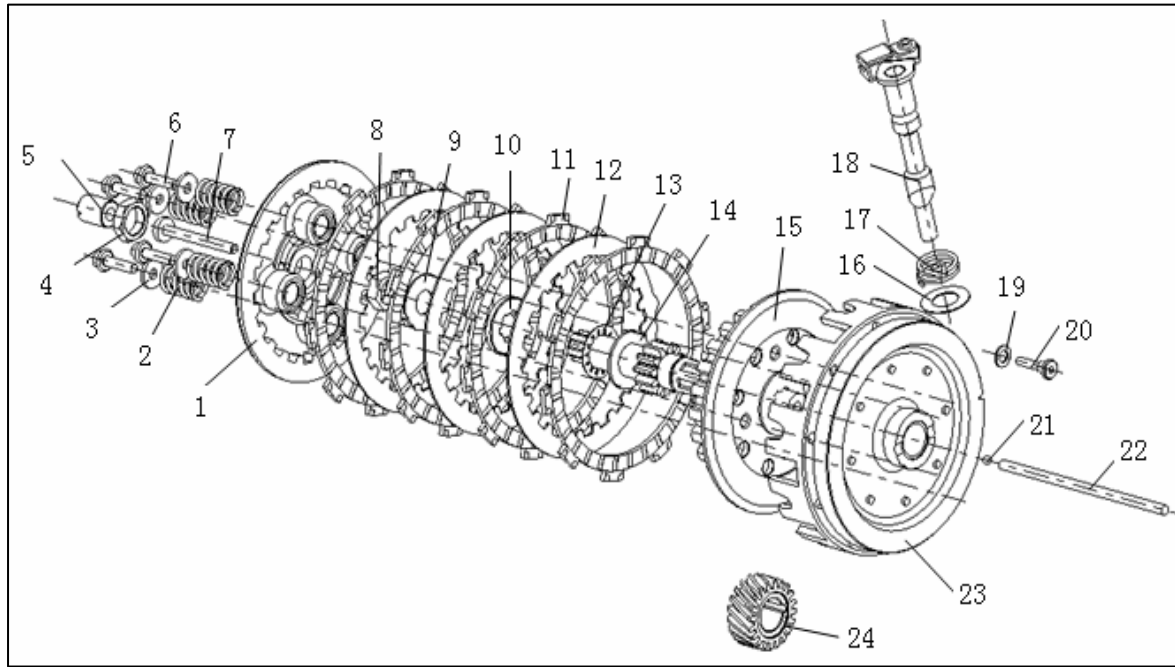
TRIGGER 50 X



| NO. | PART NO. | DESCRIPTION | QTY | DESIGN CHANGE | DATE | APPLY | REMARK |
|-----|---------------|-----------------------------------|-----|---------------|------|-------|--------|
| 1 | 202307.001000 | CLUTCH STAY WIRE CLIP | 1 | | | | |
| 2 | 206321.003000 | WITHOUT ASBESTOS PAPER PAD | 1 | | | | |
| 3 | 210112.021000 | SHIFT SENOR | 1 | | | | |
| 4 | 210341.002000 | OIL SEAL | 1 | | | | |
| 5 | 302210401200 | CROSS RECESS PAN HEAD SCREW M4X12 | 2 | | | | |
| 6 | 206243.003000 | OIL SEAL I | 1 | | | | |

E04 CLUTCH

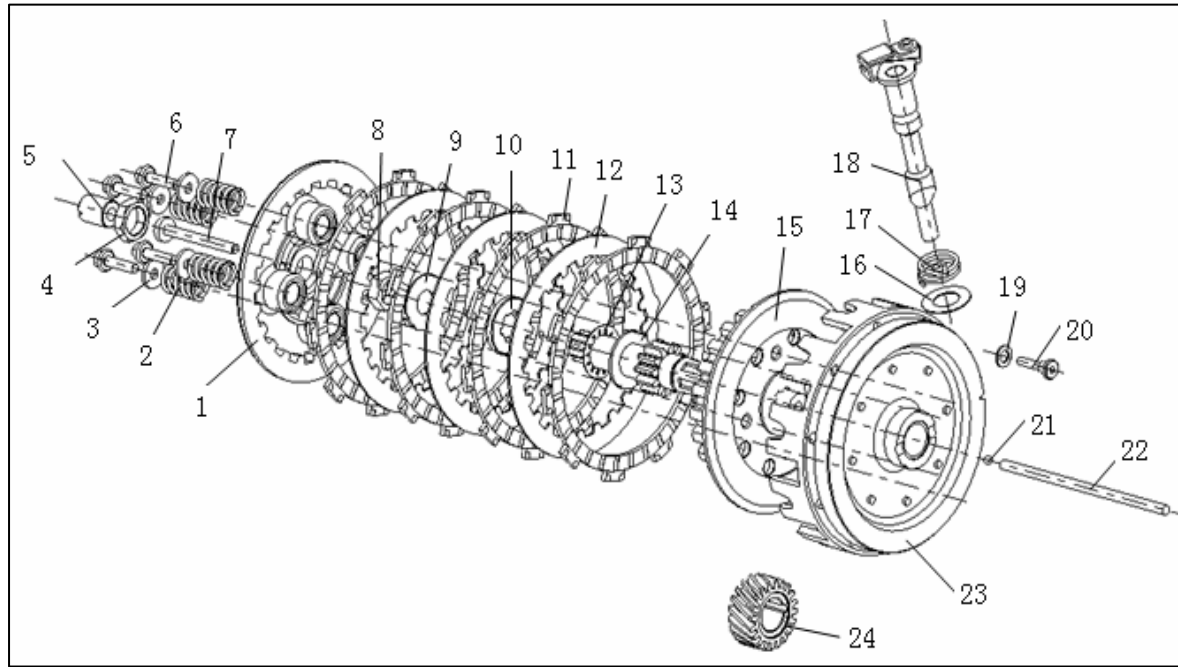
TRIGGER 50 X



| NO. | PART NO. | DESCRIPTION | QTY | DESIGN CHANGE | DATE | APPLY | REMARK |
|-----|-----------------|--------------------------------------|-----|---------------|------|-------|--------|
| 1 | 24000009B15F000 | HUB,CLUTCHSLEEVE | 1 | | | | |
| 2 | 24000010B15F000 | SPRING,CLUTCH | 4 | | | | |
| 3 | 24000011B15F000 | WASHER | 4 | | | | |
| 4 | 24000013B15F000 | NUT,LOCK | 1 | | | | |
| 5 | 24000014B15F000 | SCREW,LOCK | 1 | | | | |
| 6 | 301310502000 | HEXAGON BOLT WITH FLANGE | 4 | | | | |
| 7 | 24000015B15F000 | EXTERIOR SEPARATED CARRIER ROD | 1 | | | | |
| 8 | 24000012B15F000 | NUT,LOCK | 1 | | | | |
| 9 | 24000008B15F000 | WASHER,thust | 1 | | | | |
| 10 | 24000004B15F000 | INNER GEAR GASKER | 1 | | | | |
| 11 | 24300000B15F000 | FRICITION PLATE | 4 | | | | |
| 12 | 24000007B15F000 | PRESSURE PLATE | 3 | | | | |
| 13 | 24000002B15F000 | DISC GASKER | 1 | | | | |
| 14 | 24000003B15F000 | WASHER, PLAIN | 1 | | | | |
| 15 | 24000006B15F000 | CENTER,CLUTCH | 1 | | | | |
| 16 | 24100006B15F000 | WASHER | 1 | | | | |
| 17 | 24100005B15F000 | SPRING | 1 | | | | |
| 18 | 212114.001000 | SEPERATE PULL ROD WIELDING COMPONENT | 1 | | | | |
| 19 | 307992012120 | WASHER | 1 | | | | |
| 20 | 24100007B15F000 | LOCATING SCREWW | 1 | | | | |
| 21 | B06010130000 | STELL BALL | 1 | | | | |
| 22 | 24000001B15F000 | INNER SEPARATED CARRIER ROD | 1 | | | | |
| 23 | 24200000B15F000 | CLUTCH DRUM COMP. | 1 | | | | |

E04-2 CLUTCH

TRIGGER 50 X

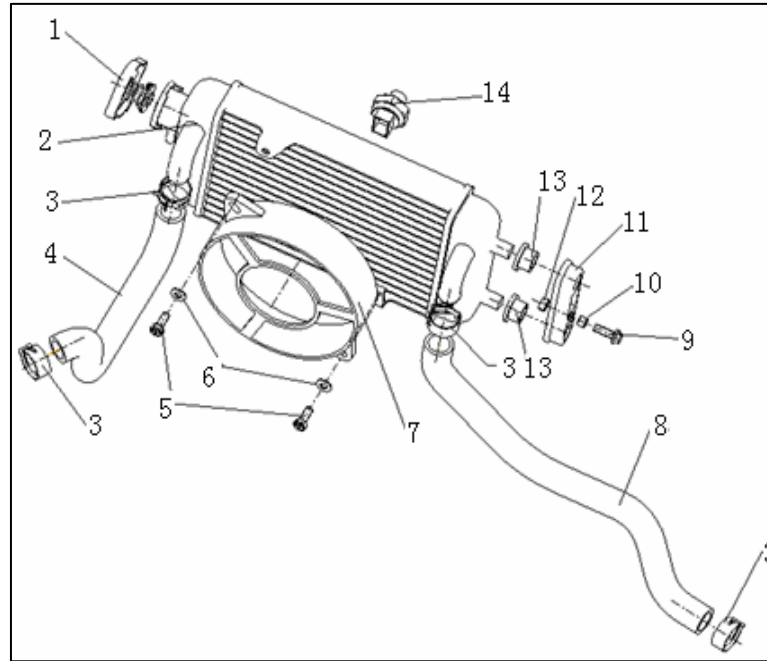


| NO. | PART NO. | DESCRIPTION | QTY | DESIGN CHANGE | DATE | APPLY | REMARK |
|-----|----------|-------------|-----|---------------|------|-------|--------|
|-----|----------|-------------|-----|---------------|------|-------|--------|

| | | | | | | | |
|----|-----------------|------------|---|--|--|--|--|
| 24 | 24000005B15F000 | GEAR,DRIVE | 1 | | | | |
|----|-----------------|------------|---|--|--|--|--|

E05 RADIATOR ASSY

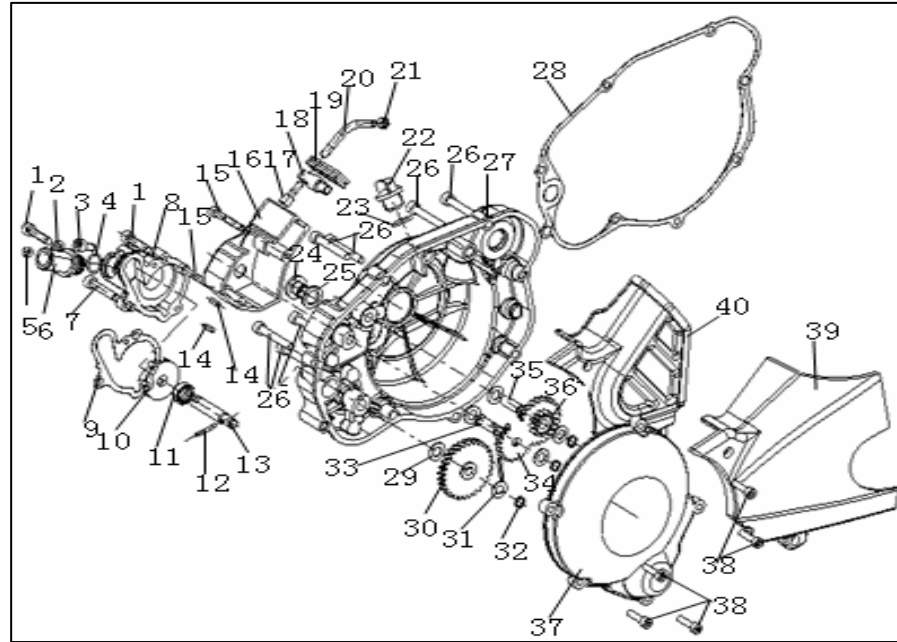
TRIGGER 50 X



| NO. | PART NO. | DESCRIPTION | QTY | DESIGN CHANGE | DATE | APPLY | REMARK |
|-----|-----------------|--------------------------|-----|---------------|------|-------|--------|
| 1 | 21111000B15F000 | WATER MACHINE COMPONENT | 1 | | | | |
| 2 | 222225.001000 | RADIATOR | 1 | | | | |
| 3 | 221218.006000 | CLIP, TUBE | 4 | | | | |
| 4 | 221219.008000 | HOSE D, WATER | 1 | | | | |
| 5 | B02040602063 | BOLT M6X20 | 2 | | | | |
| 6 | B07010008002 | WASHER, PLAIN | 2 | | | | |
| 7 | 221108.003000 | FAN ASSEMBLY | 1 | | | | |
| 8 | 221219.009000 | HOSE C, WATER | 1 | | | | |
| 9 | B02040601085 | BOLT M6X18 | 2 | | | | |
| 10 | 221312.001000 | BUSH | 1 | | | | |
| 11 | 221311.001000 | FIXING SEAT, RADIATOR | 1 | | | | |
| 12 | 304210600000 | NUT M6 | 1 | | | | |
| 13 | 21000005B15F000 | RUBBER, RADIATOR SETTING | 2 | | | | |
| 14 | 222120.002000 | THERMOSTAT | 1 | | | | |

E06 CRANKCASE COVER

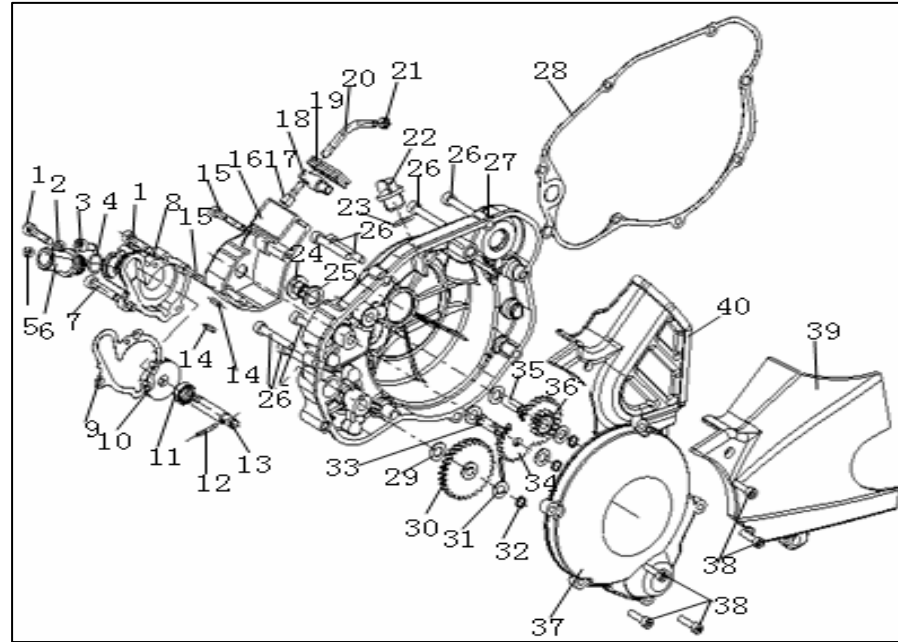
TRIGGER 50 X



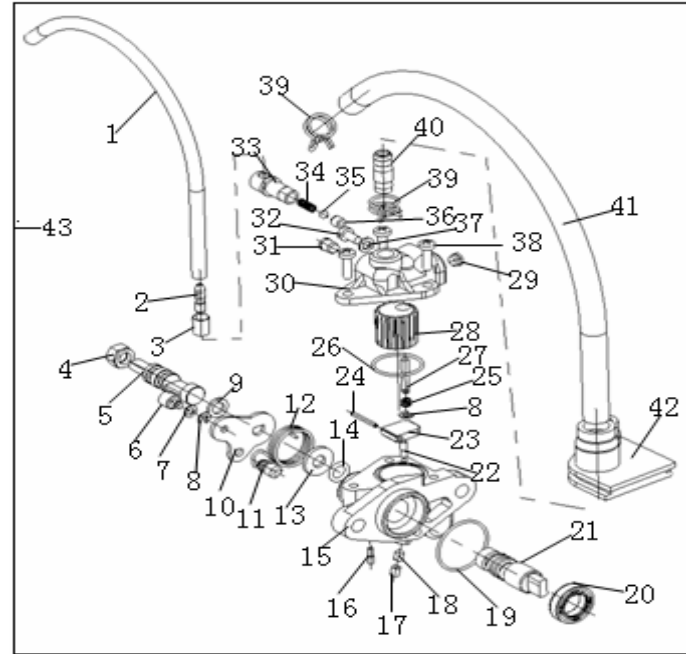
| NO. | PART NO. | DESCRIPTION | QTY | DESIGN CHANGE | DATE | APPLY | REMARK |
|-----|------------------|---------------------------------------|-----|---------------|------|-------|--------|
| 1 | B02040602585 | BOLT M6X25 | 2 | | | | |
| 2 | 14000021B15F000 | WASHER 6 | 1 | | | | |
| 3 | B02040601285 | BOLT M6X12 | 1 | | | | |
| 4 | 315114819010 | O-RING | 1 | | | | |
| 5 | 207234.006000 | BUSH | 1 | | | | |
| 6 | 14000020B15F000 | WATER OUTLET SEAT, WATER PUMP | 1 | | | | |
| 7 | B02040605585 | BOLT M6X55 | 1 | | | | |
| 8 | 14000006B15F000 | COVER, WATER PUMP | 1 | | | | |
| 9 | 14000019B15F000 | PAD, COVER, WATER PUMP | 1 | | | | |
| 10 | 14200002B15F000 | IMPELLER | 1 | | | | |
| 11 | 14300000B15F000 | MECHANICAL SEAL | 1 | | | | |
| 12 | 14000023B15F000 | DRIVE PIN | 2 | | | | |
| 13 | 14200001B15F000 | SHAFT, WATER PUMP | 1 | | | | |
| 14 | 309040401010 | PIN, DOWEL, WATER PUMP | 2 | | | | |
| 15 | B02040503585 | BOLT M5X35 | 2 | | | | |
| 16 | 14000022B15F000 | COVER, OIL PUMP | 1 | | | | |
| 17 | B02040602585 | BOLT M6X25 | 2 | | | | |
| 18 | 14000013B15F000 | OIL PUMP STEEL WIRE FIXING LEG | 1 | | | | |
| 19 | 14000024B15F000 | RUBBER PLUG | 1 | | | | |
| 20 | 14000014B15F000 | OIL PUMP STEEL WIRE REGULATING SLEEVE | 1 | | | | |
| 21 | 30426060000 | NUT M6 | 1 | | | | |
| 22 | 14000016B15F000 | CAP, OIL FILLER | 1 | | | | |
| 23 | PS2000G-321802A7 | O-RING 13.3X2.65 | 1 | | | | |

E06-2 CRANKCASE COVER

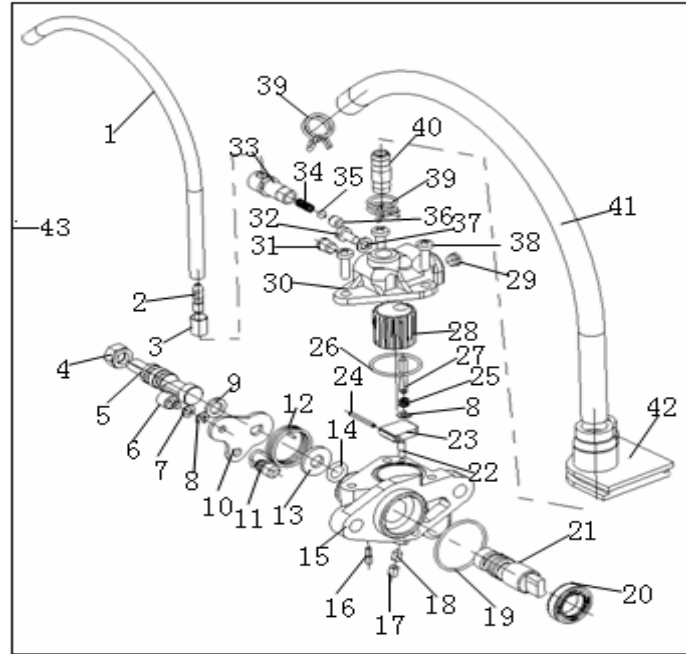
TRIGGER 50 X



| NO. | PART NO. | DESCRIPTION | QTY | DESIGN CHANGE | DATE | APPLY | REMARK |
|-----|-----------------|---------------------------|-----|---------------|------|-------|--------|
| 24 | 14100000B15F000 | BOLT M8X8 | 1 | | | | |
| 25 | 207316.005000 | WASHER PLAIN 8.5X12.5X1.5 | 1 | | | | |
| 26 | B02040603063 | BOLT M6X30 | 7 | | | | |
| 27 | 14000003B15F000 | COVER, R.CRANKCASE | 1 | | | | |
| 28 | 14000002B15F000 | PAD, COVER, R.CRANKCASE | 1 | | | | |
| 29 | 14000007B15F000 | WASHER, PLAIN X III | 3 | | | | |
| 30 | 14000005B15F000 | GEAR, WATER PUMP | 1 | | | | |
| 31 | 14000004B15F000 | WASHER, PLAIN XII | 3 | | | | |
| 32 | B08080080000 | CIRCLIP 8 | 3 | | | | |
| 33 | 14000008B15F000 | JOINT SHAFT, OIL PUMP | 1 | | | | |
| 34 | 14000018B15F000 | DRIVE GEAR, OIL PUMP | 1 | | | | |
| 35 | 14000009B15F000 | MIDDLE SHAFT | 1 | | | | |
| 36 | 14000011B15F000 | MIDDLE GEAR | 1 | | | | |
| 37 | 14000001B15F000 | COVER, L.CRANKCASE | 1 | | | | |
| 38 | B02040502085 | BOLT M5X20 | 7 | | | | |
| 39 | 207201.051000 | LEFT REAR COVER | 1 | | | | |
| 40 | 207201.055000 | LEFT REAR COVER | 1 | | | | |



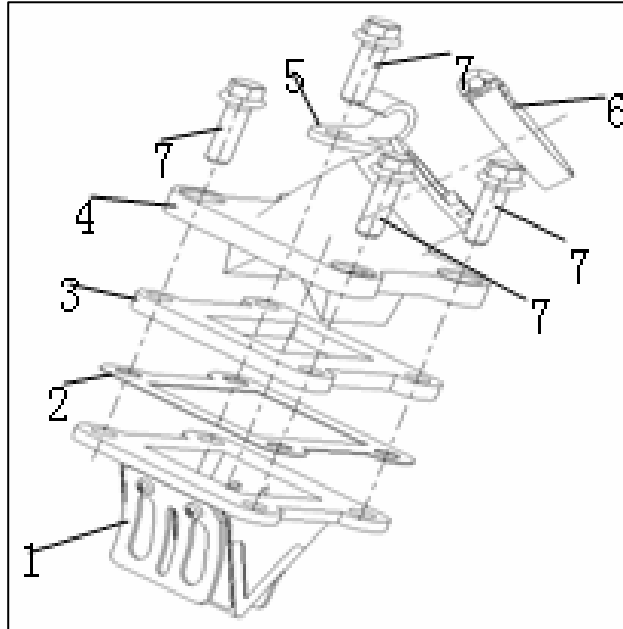
| NO. | PART NO. | DESCRIPTION | QTY | DESIGN CHANGE | DATE | APPLY | REMARK |
|-----|-----------------|--------------------------|-----|---------------|------|-------|--------|
| 1 | 38000002B15F000 | OIL OUTLEAK TUBE | 1 | | | | |
| 2 | 38121001B15F000 | JOINT, OIL OUTLEAK PIPE | 1 | | | | |
| 3 | 38000005B15F000 | CLIP, OIL OUTLEAK PIPE | 1 | | | | |
| 4 | 38110017B15F000 | NUT | 1 | | | | |
| 5 | 38110018B15F000 | CAMSHAFT | 1 | | | | |
| 6 | 38111004B15F000 | SHAFT, | 1 | | | | |
| 7 | 38111003B15F000 | WASHER, PLAIN | 1 | | | | |
| 8 | B08100020000 | CIRCLIP (OUTER) ϕ 2 | 2 | | | | |
| 9 | B07000005000 | CIRCLIP | 1 | | | | |
| 10 | 38111001B15F000 | PAN, | 1 | | | | |
| 11 | 38111002B15F000 | SPRING FIXING SHAFT | 1 | | | | |
| 12 | 38110015B15F000 | SPRING | 1 | | | | |
| 13 | 38110016B15F000 | WASHER, PLAIN | 1 | | | | |
| 14 | B150200530D0 | O-RING 5.3X1.8 | 1 | | | | |
| 15 | 38110001B15F000 | OIL PUMP BODY | 1 | | | | |
| 16 | 38110005B15F000 | PIN C, DOWEL | 1 | | | | |
| 17 | 38110013B15F000 | PLUG | 1 | | | | |
| 18 | 38110012B15F000 | ADJUSTMENT BOLT | 1 | | | | |
| 19 | 38110002B15F000 | O-RING 19.5X1 | 1 | | | | |
| 20 | 38110003B15F000 | OIL SEAL | 1 | | | | |
| 21 | 38110004B15F000 | GEAR | 1 | | | | |
| 22 | 38110019B15F000 | PIN C, DOWEL | 1 | | | | |
| 23 | 38110010B15F000 | FLUX ADJUSTMENT BOARD | 1 | | | | |



| NO. | PART NO. | DESCRIPTION | QTY | DESIGN CHANGE | DATE | APPLY | REMARK |
|-----|-----------------|-------------------------|-----|---------------|------|-------|--------|
| 25 | 38110009B15F000 | SPRING | 1 | | | | |
| 26 | 38110006B15F000 | O-RING, SEALING | 1 | | | | |
| 27 | 38110008B15F000 | PLUG | 1 | | | | |
| 28 | 38110007B15F000 | SHAFT, OIL PUMP | 1 | | | | |
| 29 | 38120003B15F000 | PLUG I | 1 | | | | |
| 30 | 38120001B15F000 | COVER, OIL PUMP | 1 | | | | |
| 31 | 38120005B15F000 | PLUG II | 1 | | | | |
| 32 | B02000500685 | BOLT M5X6 | 1 | | | | |
| 33 | 38121002B15F000 | VALVE BODY | 1 | | | | |
| 34 | 38121003B15F000 | SPRING | 1 | | | | |
| 35 | B06010090000 | STEEL BALL ϕ 3.175 | 1 | | | | |
| 36 | 38121004B15F000 | PLUG | 1 | | | | |
| 37 | 38120004B15F000 | WASHER, SEALING | 1 | | | | |
| 38 | B02210301020 | BOLT M3X10 | 3 | | | | |
| 39 | 38000005B15F000 | CLIP, TUBE | 2 | | | | |
| 40 | 38120002B15F000 | JOINT | 1 | | | | |
| 41 | 38000004B15F000 | TUBE | 1 | | | | |
| 42 | 38000003B15F000 | JACKET, OIL PIPE | 1 | | | | |
| 43 | 38000000B15F000 | OIL PUMP ASSY | 1 | | | | |

E08 REED VALVE AND AIR DUCT COMPONENTS

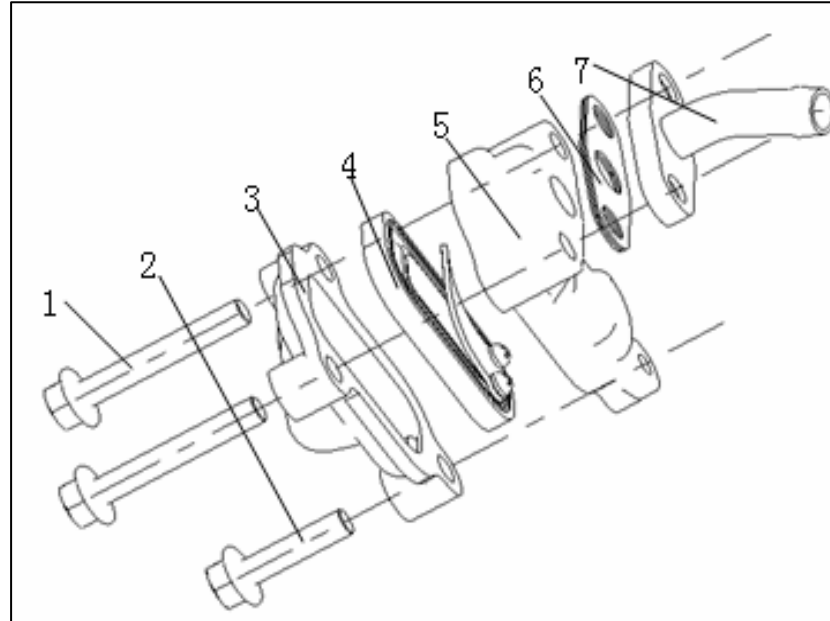
TRIGGER 50 X



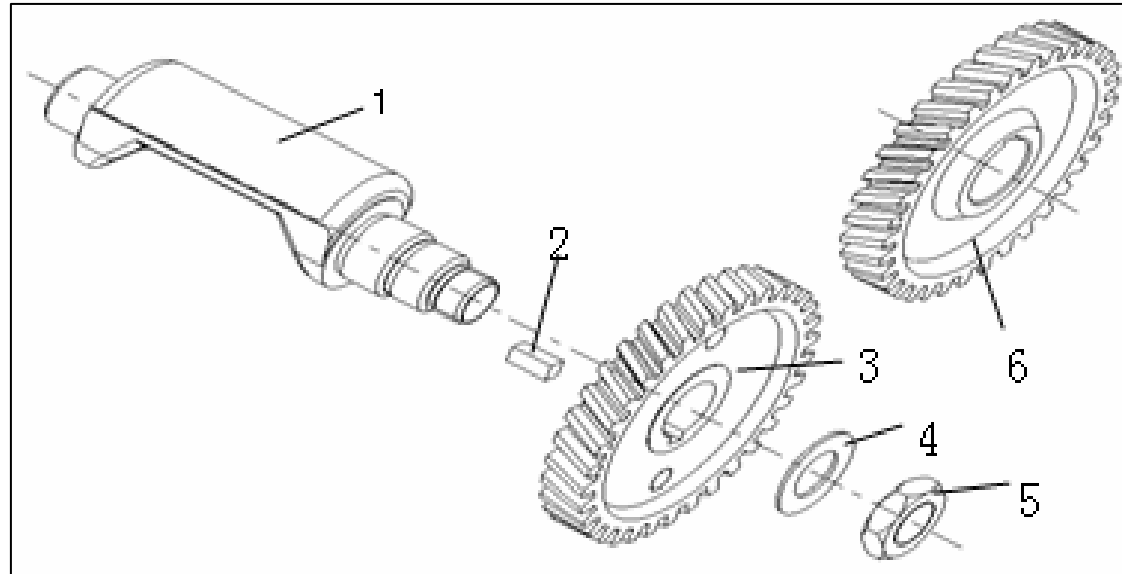
| NO. | PART NO. | DESCRIPTION | QTY | DESIGN CHANGE | DATE | APPLY | REMARK |
|-----|-----------------|----------------------|-----|---------------|------|-------|--------|
| 1 | 32102B20F000 | REED VALVE COMPONENT | 1 | | | | |
| 2 | 32101B20F000 | PAD, REED VALVE | 1 | | | | |
| 3 | 32100002B15F000 | AIR DUCT CORE | 1 | | | | |
| 4 | 32100001B15F000 | AIR DUCT SHELL | 1 | | | | |
| 5 | 219237.001000 | CLIP, OIL PUMP TUBE | 1 | | | | |
| 6 | 32116B20F000 | BAND, WIRE | 1 | | | | |
| 7 | 301310602000 | BOLT M6X20 | 4 | | | | |

E09 SECONDARY AIR ASSY

TRIGGER 50 X



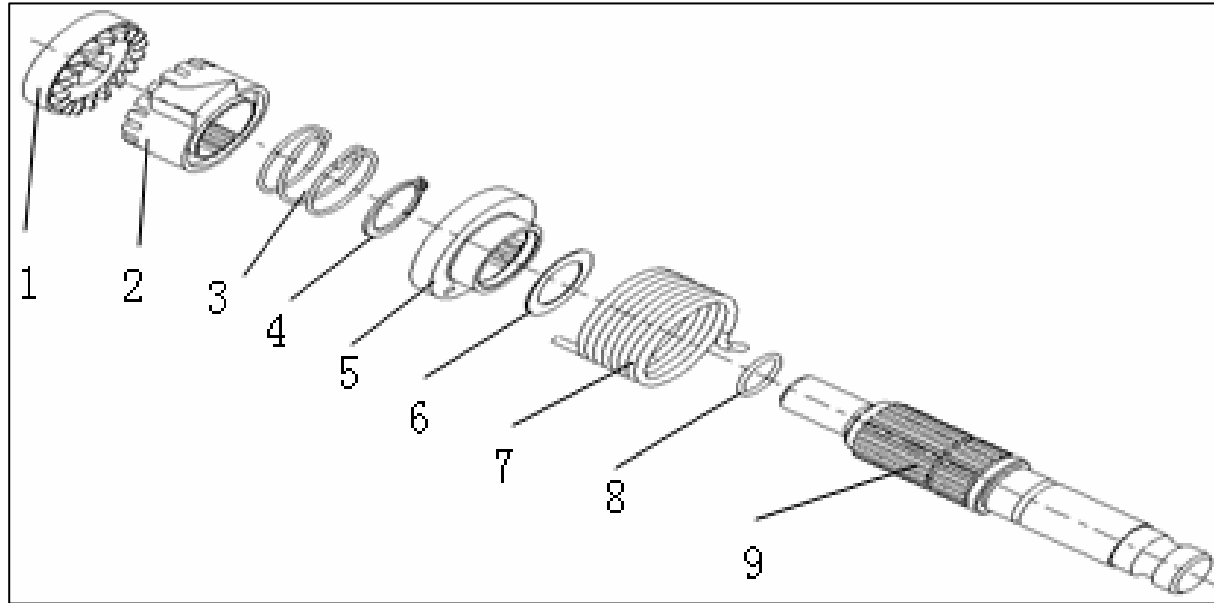
| NO. | PART NO. | DESCRIPTION | QTY | DESIGN CHANGE | DATE | APPLY | REMARK |
|-----|---------------|-----------------------|-----|---------------|------|-------|--------|
| 1 | 301310604000 | BOLT M6X40 | 2 | | | | |
| 2 | 301310602500 | BOLT M6X25 | 1 | | | | |
| 3 | 201302.002000 | CASE, REED VALVE | 1 | | | | |
| 4 | 32102B20F000 | VALVE, REED | 1 | | | | |
| 5 | 33108J01F000 | COVER, REED VALVE | 1 | | | | |
| 6 | 229107.001000 | GASKET, AIR FEED PIPE | 1 | | | | |
| 7 | 229106.007000 | PIPE, AIR FEED | 1 | | | | |



| NO. | PART NO. | DESCRIPTION | QTY | DESIGN CHANGE | DATE | APPLY | REMARK |
|-----|---------------|----------------------|-----|---------------|------|-------|--------|
| 1 | 208400.017000 | SHAFT,BALANCER | 1 | | | | |
| 2 | 311730040008 | KEY(B4X8) | 1 | | | | |
| 3 | 208401.008000 | DRIVEN GEAR,BALANCER | 1 | | | | |
| 4 | 208427.009000 | LOCK WASHER,BALANCER | 1 | | | | |
| 5 | 208228.010000 | LOCK NUT,BALANCER | 1 | | | | |
| 6 | 208220.013000 | DRIVE GEAR,BALANCER | 1 | | | | |

E11 KICK STARTER ASSY

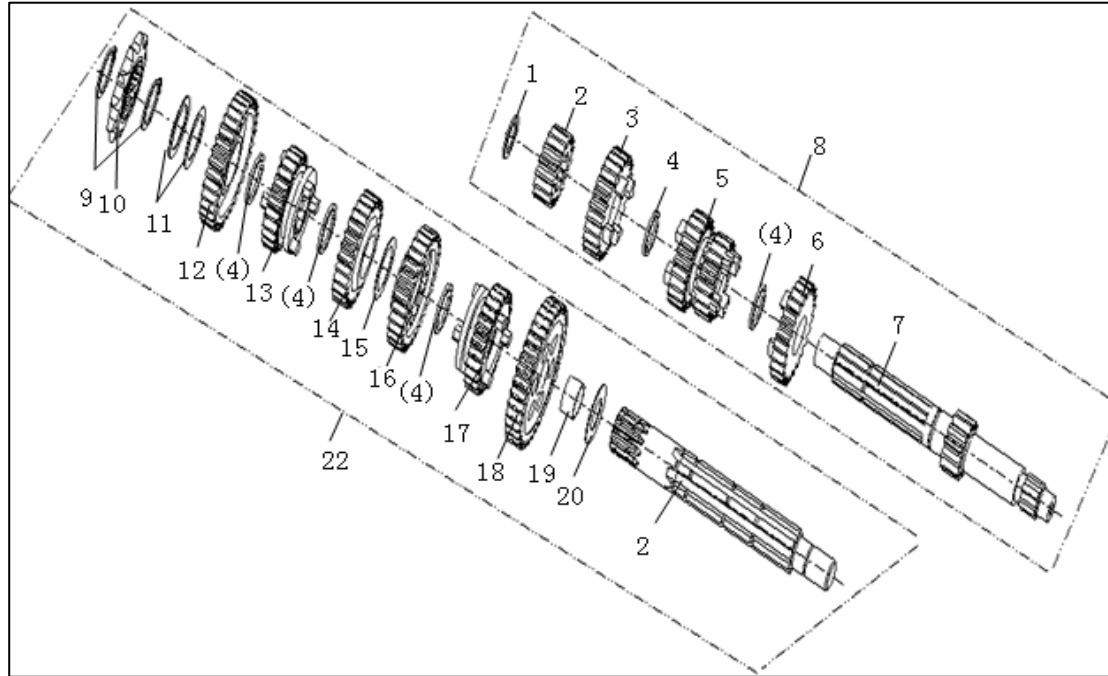
TRIGGER 50 X



| NO. | PART NO. | DESCRIPTION | QTY | DESIGN CHANGE | DATE | APPLY | REMARK |
|-----|-----------------|--------------------------|-----|---------------|------|-------|--------|
| 1 | 17600001B15F000 | GEAR,KICK STARTER | 1 | | | | |
| 2 | 17600002B15F000 | RATCHET | 1 | | | | |
| 3 | 17600003B15F000 | SPRING,RATCHET | 1 | | | | |
| 4 | B08080180000 | CIRCLIP(18) | 1 | | | | |
| 5 | 17600004B15F000 | SEAT,KICK STARTER SPRING | 1 | | | | |
| 6 | 216409.001000 | WASHER XI | 1 | | | | |
| 7 | 17600005B15F000 | SPRING,KICK STARTER | 1 | | | | |
| 8 | 17600007B15F000 | O RING(12.5X1.5) | 1 | | | | |
| 9 | 17600008B15F000 | SHAFT,KICK STARTER | 1 | | | | |

E12 DRIVE&DRIVEN SHAFT ASSY.

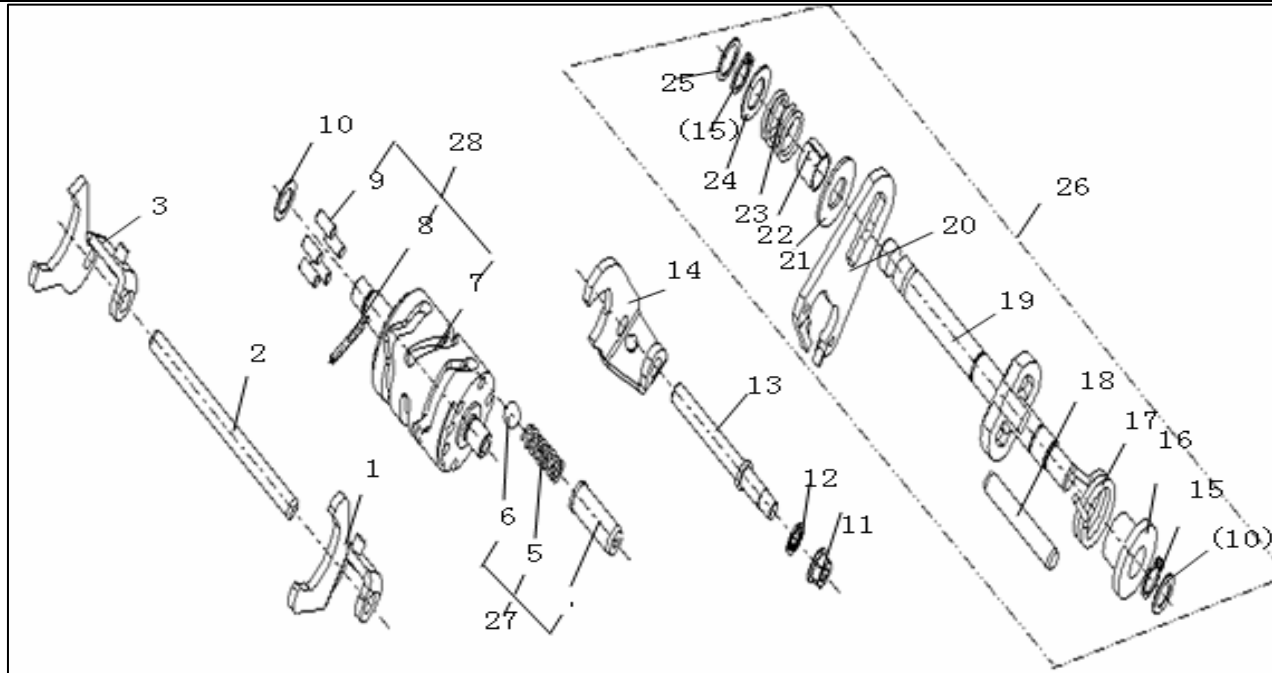
TRIGGER 50 X



| NO. | PART NO. | DESCRIPTION | QTY | DESIGN CHANGE | DATE | APPLY | REMARK |
|-----|-----------------|--------------------|-----|---------------|------|-------|--------|
| 1 | 17100001B15F000 | CIRCLIP(14) | 1 | | | | |
| 2 | 17100002B15F000 | GEAR,2ND DRIVE | 1 | | | | |
| 3 | 17100003B15F000 | GEAR,6TH DRIVE | 1 | | | | |
| 4 | 17100004B15F000 | CIRCLIPφ18 | 5 | | | | |
| 5 | 17100005B15F000 | GEAR,3RD&4TH DRIVE | 1 | | | | |
| 6 | 17100006B15F000 | GEAR,5TH DRIVE | 1 | | | | |
| 7 | 17100007B15F000 | SHAFT,DRIVE | 1 | | | | |
| 8 | 209101.024000 | DRIVE SHAFT ASSY. | 1 | | | | |
| 9 | B08080200000 | CIRCLIP(20) | 2 | | | | |
| 10 | 17200015B15F000 | SPROCKET | 1 | | | | |
| 11 | 17200006B15F000 | WASHER II | 2 | | | | |
| 12 | 17200003B15F000 | GEAR,2ND DRIVEN | 1 | | | | |
| 13 | 17200004B15F000 | GEAR,6TH DRIVEN | 1 | | | | |
| 14 | 17200005B15F000 | GEAR,4TH DRIVEN | 1 | | | | |
| 15 | 17200012B15F000 | WASHER V | 1 | | | | |
| 16 | 17200011B15F000 | GEAR,3RD DRIVEN | 1 | | | | |
| 17 | 17200007B15F000 | GEAR,5TH DRIVEN | 1 | | | | |
| 18 | 17200008B15F000 | GEAR,1ST DRIVEN | 1 | | | | |
| 19 | 17200013B15F000 | BUSH II | 1 | | | | |
| 20 | 17200009B15F000 | WASHER III | 1 | | | | |
| 21 | 17200001B15F000 | SHAFT,DRIVEN | 1 | | | | |
| 22 | 209102.022000 | DRIVEN SHAFT ASSY. | 1 | | | | |

E13 GEARSHIFT MECHANISM

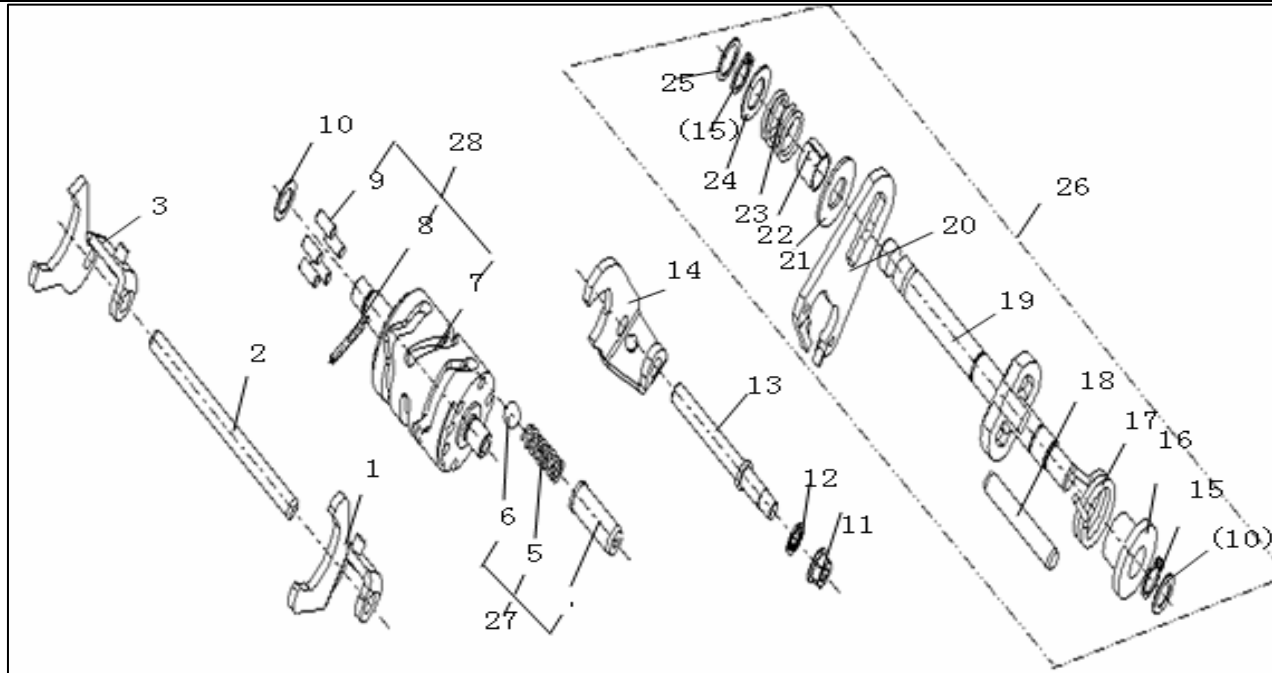
TRIGGER 50 X



| NO. | PART NO. | DESCRIPTION | QTY | DESIGN CHANGE | DATE | APPLY | REMARK |
|-----|-----------------|-----------------------|-----|---------------|------|-------|--------|
| 1 | 210302.029000 | FORK,RIGHT GEARSHIFT | 1 | | | | |
| 2 | 210303.012000 | SHAFT,DRIVEN FORK | 1 | | | | |
| 3 | 210302.030000 | FORK,LEFT GEARSHIFT | 1 | | | | |
| 4 | 17500002B15F000 | COVER, DRUM STOPPER | 1 | | | | |
| 5 | 17500001B15F000 | SPRING,DRUM STOPPER | 1 | | | | |
| 6 | B06010300000 | BALL(SD9) | 1 | | | | |
| 7 | 17310002B15F000 | DRUM,GEARSHIFT | 1 | | | | |
| 8 | B09080302200 | PIN | 1 | | | | |
| 9 | 17310001B15F000 | PIN, GEARSHIFT DRUM | 5 | | | | |
| 10 | 210230.007000 | WASHER X | 2 | | | | |
| 11 | 441031C03000 | NUT,FLANGE(M6) | 1 | | | | |
| 12 | 210230.008000 | WASHER,LOCK | 1 | | | | |
| 13 | 210303.013000 | SHAFT,DRIVE FORK | 1 | | | | |
| 14 | 210302.031000 | FORK,CENTER GEARSHIFT | 1 | | | | |
| 15 | B08010001200 | CIRCLIPφ12 | 2 | | | | |
| 16 | 17400004B15F000 | COVER,SPRING I | 1 | | | | |
| 17 | 17400003B15F000 | SPRING I | 1 | | | | |
| 18 | 17400008B15F000 | PIN,RETURN SPRING | 1 | | | | |
| 19 | 17420000B15F000 | SHAFT,GEARSHIFT | 1 | | | | |
| 20 | 17410000B15F000 | PLATE,GRARSHIFT | 1 | | | | |
| 21 | 17400001B15F000 | WASHER I,GEARSHIFT | 1 | | | | |
| 22 | 17400005B15F000 | COVER,SPRING II | 1 | | | | |
| 23 | 17400006B15F000 | SPRING II | 1 | | | | |

E13-2 GEARSHIFT MECHANISM

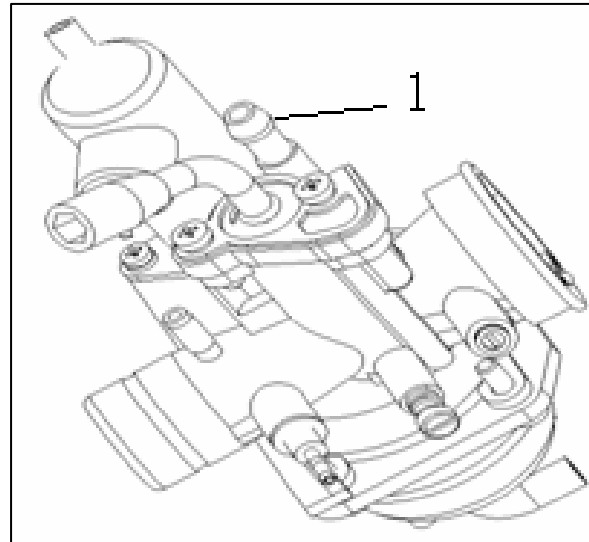
TRIGGER 50 X



| NO. | PART NO. | DESCRIPTION | QTY | DESIGN CHANGE | DATE | APPLY | REMARK |
|-----|-----------------|-----------------------|-----|---------------|------|-------|--------|
| 26 | 210100.017000 | SHAFT ASSY.,GEARSHIFT | 1 | | | | |
| 27 | 17500000B15F000 | DRUM STOPPER ASSY. | 1 | | | | |
| 28 | 210109.011000 | DRUM ASSY.,GEARSHIFT | 1 | | | | |

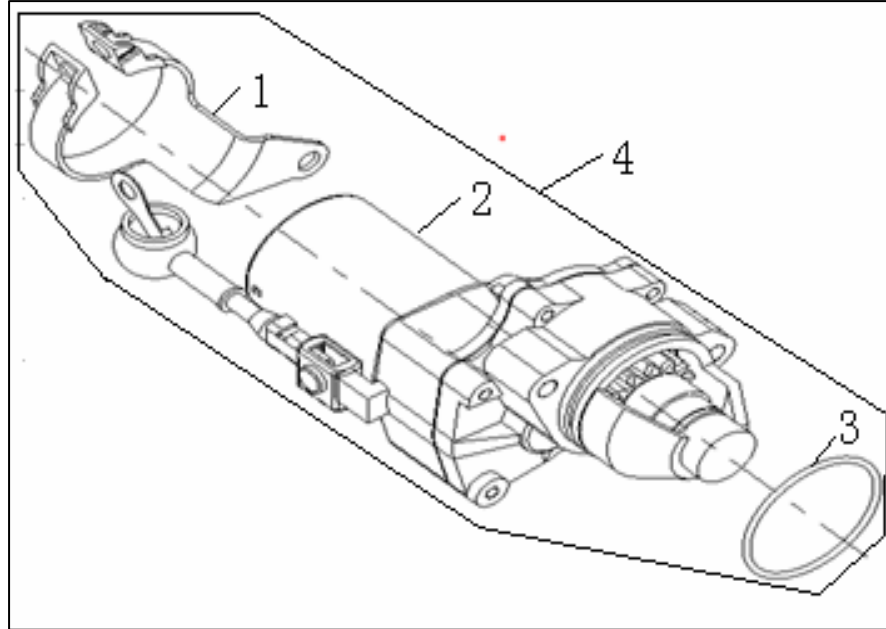
E14 CARBURETOR ASSY

TRIGGER 50 X

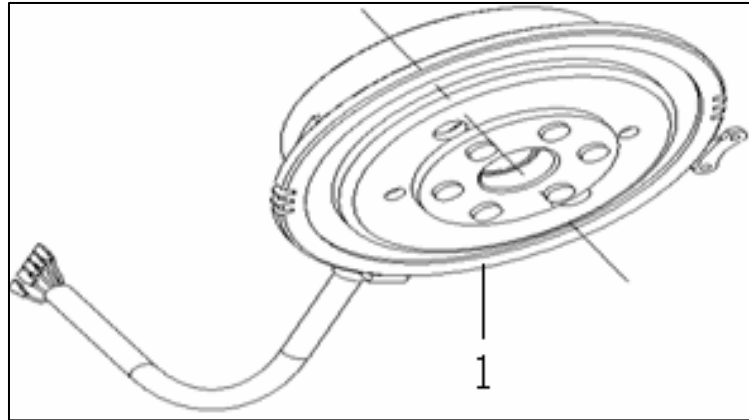


| NO. | PART NO. | DESCRIPTION | QTY | DESIGN CHANGE | DATE | APPLY | REMARK |
|-----|----------|-------------|-----|---------------|------|-------|--------|
|-----|----------|-------------|-----|---------------|------|-------|--------|

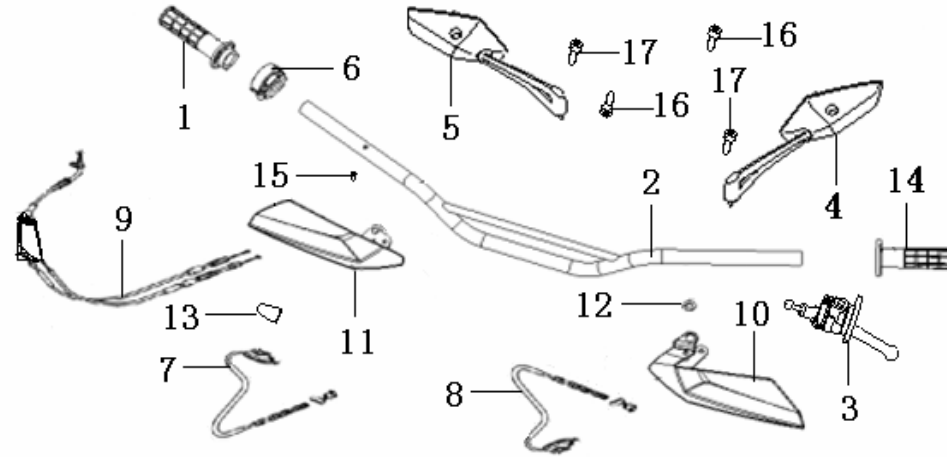
| | | | | | | | |
|---|-----------------|------------|---|--|--|--|--|
| 1 | 32100000B15F000 | CARBURETOR | 1 | | | | |
|---|-----------------|------------|---|--|--|--|--|



| NO. | PART NO. | DESCRIPTION | QTY | DESIGN CHANGE | DATE | APPLY | REMARK |
|-----|---------------|------------------|-----|---------------|------|-------|--------|
| 1 | 218422.001000 | MOTOR FIXER | 1 | | | | |
| 2 | 218100.031000 | STARTING MOTOR | 1 | | | | |
| 3 | 315138718000 | O RING(38.7X1.8) | 1 | | | | |
| 4 | 218000.001000 | STARTING MOTOR | 1 | | | | |



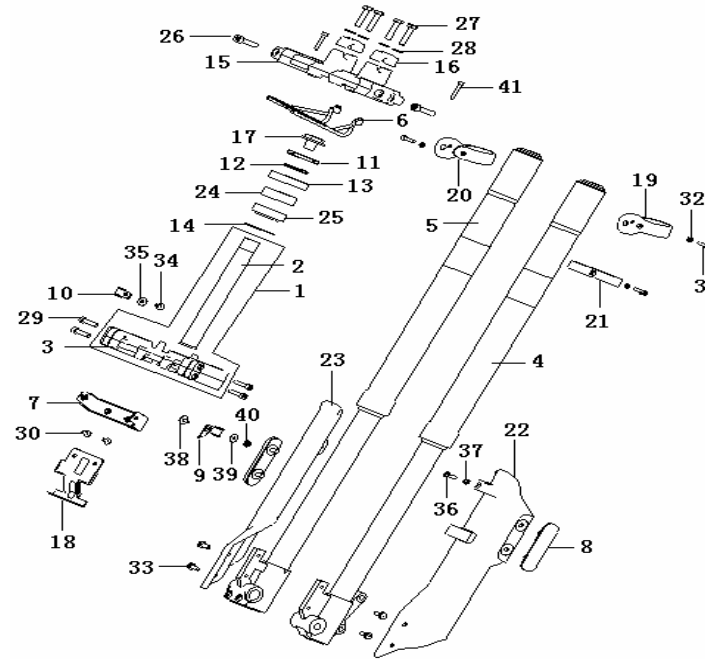
| NO. | PART NO. | DESCRIPTION | QTY | DESIGN CHANGE | DATE | APPLY | REMARK |
|-----|---------------|-------------|-----|---------------|------|-------|--------|
| 1 | 223100.005000 | GENERATOR | 1 | | | | |



| NO. | PART NO. | DESCRIPTION | QTY | DESIGN CHANGE | DATE | APPLY | REMARK |
|-----|--------------|-------------------------|-----|---------------|------|-------|--------|
| 1 | 40210BP0Y000 | R GRIP ASSY | 1 | | | | |
| 2 | 40100BP0Y000 | HANDLE COMP | 1 | | | | |
| 3 | 40080BP0Y000 | LEVER ASSY ,L | 1 | | | | |
| 4 | 40460BP0Y000 | BACK MIRROR ASSY ,LEFT | 1 | | | | |
| 5 | 40470BP0Y000 | BACK MIRROR ASSY ,RIGHT | 1 | | | | |
| 6 | 40320BP0Y000 | CAP THROTTLE | 1 | | | | |
| 7 | 40400BP0Y000 | CLUTCH CABLE | 1 | | | | |
| 8 | 40350BP0Y000 | CHOKE CABLE | 1 | | | | |
| 9 | 40300BP0Y000 | THROTTLE CABLE | 1 | | | | |
| 10 | 65003BP0YW50 | COVER,HANDLE,LH | 1 | | | | |
| 11 | 65004BP0YW50 | COVER,HANDLE,RH | 1 | | | | |
| 12 | 65006BP0Y000 | SPACER | 1 | | | | |
| 13 | 40017BP0Y000 | JACKET, CLUTCH CABLE | 1 | | | | |
| 14 | 40001BP0Y000 | GRIP,LH | 1 | | | | |
| 15 | B02000501025 | SCREW M5×10MM | 1 | | | | |
| 16 | B02050802565 | SCREW M8×25MM | 2 | | | | |
| 17 | 40011BP0Y000 | COVER | 2 | | | | |

F02 FRONT FORK

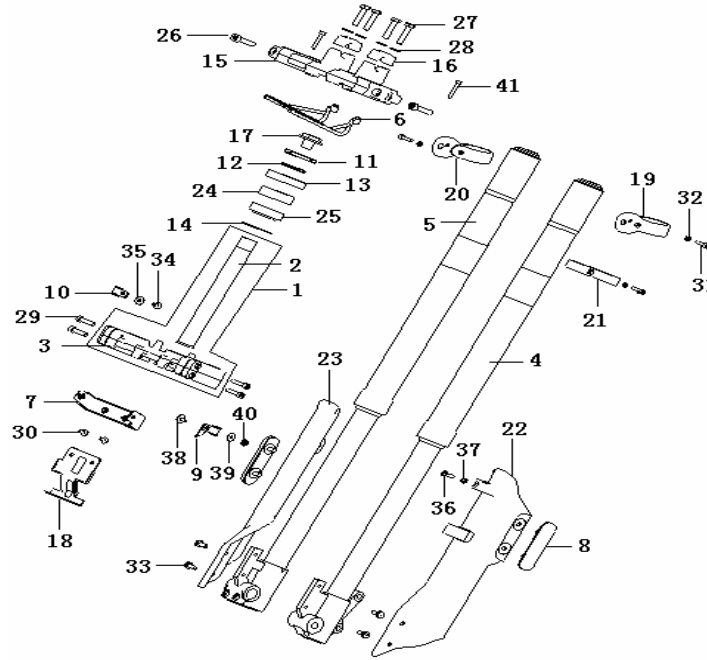
TRIGGER 50 X



| NO. | PART NO. | DESCRIPTION | QTY | DESIGN CHANGE | DATE | APPLY | REMARK |
|-----|--------------|---------------------------|-----|---------------|------|-------|--------|
| 1 | 43100BP0Y000 | UNDER BRACKET COMP. | 1 | | | | |
| 2 | 43101BP0Y000 | DIRECTION MAST | 1 | | | | |
| 3 | 43102BP0Y000 | UNDER BRACKET | 1 | | | | |
| 4 | 43200BP0Y000 | F.L. FORK ASSY. | 1 | | | | |
| 5 | 43300BP0Y000 | F.R. FORK ASSY. | 1 | | | | |
| 6 | 65490BP0Y000 | METER SUPPORT COMP | 1 | | | | |
| 7 | 65550BP0Y000 | BLEED COVER INSTALL PLANK | 1 | | | | |
| 8 | 86300BP0Y000 | SIDE REFLECTOR | 2 | | | | |
| 9 | 43060BP0Y000 | CLIP ASSY. | 1 | | | | |
| 10 | 43070BP0Y000 | CLIP ASSY. | 1 | | | | |
| 11 | 43008BP0Y000 | NUT | 1 | | | | |
| 12 | 43022BP0Y000 | BALL RACE COVER II | 1 | | | | |
| 13 | 43005BP0Y000 | BALL RACE COVER I | 1 | | | | |
| 14 | 43018BP0Y000 | WASHER, DIRECTION MAST | 1 | | | | |
| 15 | 43011BP0Y000 | UPPER BRACKET | 1 | | | | |
| 16 | 43014BP0Y000 | CAP,HANDLE UPPER | 2 | | | | |
| 17 | 43049BP0Y000 | BOLT,STEERING STEM | 1 | | | | |
| 18 | 65541BP0Y000 | BLEED COVER SUPPORT | 1 | | | | |
| 19 | 81106BP0Y000 | F.L.TURN SIGNAL SEAT | 1 | | | | |
| 20 | 81306BP0Y000 | F.R.TURN SIGNAL SEAT | 1 | | | | |

F02-2 FRONT FORK

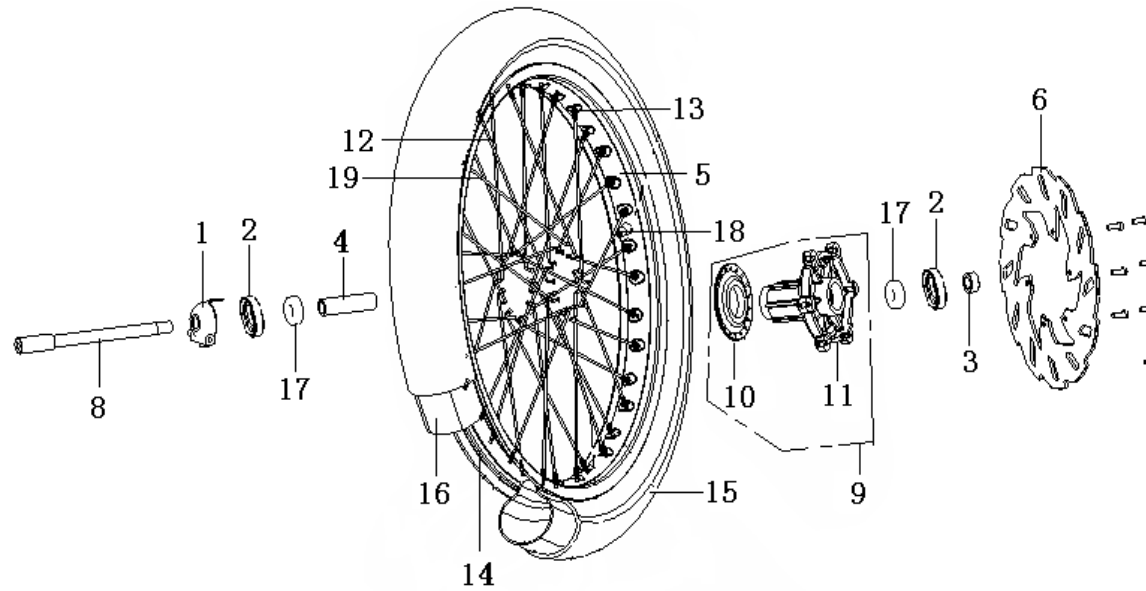
TRIGGER 50 X



| NO. | PART NO. | DESCRIPTION | QTY | DESIGN CHANGE | DATE | APPLY | REMARK |
|-----|--------------|------------------------|-----|---------------|------|-------|--------|
| 21 | 43035BP0Y000 | BRAKE HOSE HOLDER | 1 | | | | |
| 22 | 43053BP0YW50 | COVER, F.L. FORK ASSY. | 1 | | | | |
| 23 | 43054BP0YW50 | COVER, F.R. FORK ASSY. | 1 | | | | |
| 24 | B12016020500 | BEARING 6205-2RS | 1 | | | | |
| 25 | B12133020500 | BEARING 30205 | 1 | | | | |
| 26 | B02050804065 | SCREW M8×40MM | 2 | | | | |
| 27 | B02050803565 | SCREW M8×35MM | 4 | | | | |
| 28 | B07030000805 | WASHER 8MM | 4 | | | | |
| 29 | B02050603064 | SCREW M6×30MM | 4 | | | | |
| 30 | B13010501205 | SCREW M5×12MM | 2 | | | | |
| 31 | B02050502064 | SCREW M5×20MM | 3 | | | | |
| 32 | B04020500055 | NUT M5MM | 3 | | | | |
| 33 | B13010601605 | SCREW M6×16MM | 4 | | | | |
| 34 | B01090501265 | BOLT M5×12MM | 1 | | | | |
| 35 | B07020000505 | WASHER 5MM | 1 | | | | |
| 36 | B02000502065 | SCREW M5×20MM | 1 | | | | |
| 37 | B04000500055 | NUT M5MM | 1 | | | | |
| 38 | B13060501205 | SCREW M5×12MM | 1 | | | | |
| 39 | B07020000505 | WASHER 5MM | 1 | | | | |
| 40 | B04070500055 | NUT M5MM | 1 | | | | |
| 41 | B02050503065 | SCREW M5×30MM | 2 | | | | |

F03 FRONT WHEEL

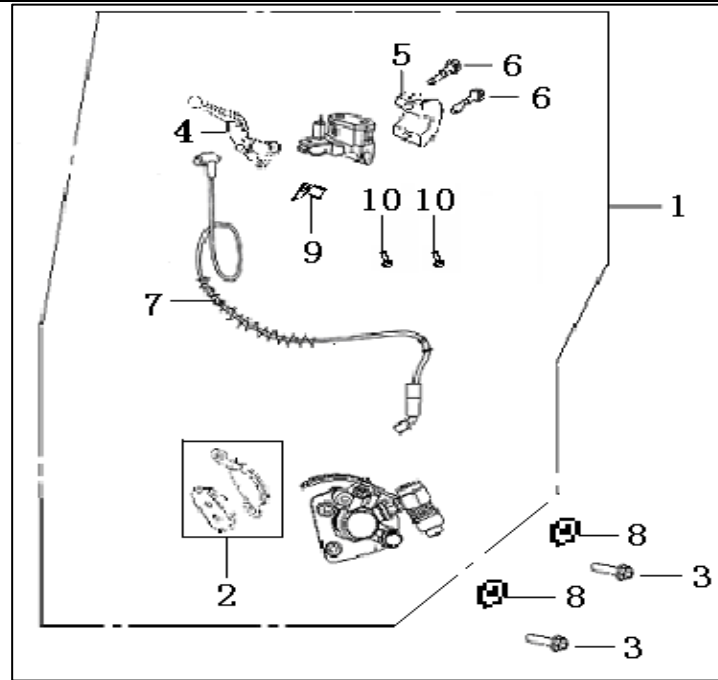
TRIGGER 50 X



| NO. | PART NO. | DESCRIPTION | QTY | DESIGN CHANGE | DATE | APPLY | REMARK |
|-----|--------------|-----------------------|-----|---------------|------|-------|--------|
| 1 | 44200BP0Y000 | SEAT ASSY., GEAR | 1 | | | | |
| 2 | 44300BM0T000 | DUST SEAL ASSY | 2 | | | | |
| 3 | 44005BP0Y000 | BUSH, FRONT WHEEL | 1 | | | | |
| 4 | 44006BP0Y000 | SPACER,CENTER ASSY | 1 | | | | |
| 5 | 44101BP0Y000 | RIM, FRONT WHEEL | 1 | | | | |
| 6 | 45033BP0Y000 | FRONT BRAKE DISK | 1 | | | | |
| 7 | 45036BP0Y000 | BOLT, BRAKE DISK | 6 | | | | |
| 8 | 44004BP0Y000 | AXIL,FRONT WHEEL | 1 | | | | |
| 9 | 44110BP0Y000 | FRONT WHEEL HUB ASSY | 1 | | | | |
| 10 | 44112BP0Y000 | WHEEL HUB EMBED PIECE | 1 | | | | |
| 11 | 44111BP0Y000 | FRONT WHEEL HUB | 1 | | | | |
| 12 | 44011BP0Y000 | SPOKE | 27 | | | | |
| 13 | 44014BP0Y000 | NIPPLE | 36 | | | | |
| 14 | 44013BP0Y000 | PROTECTOR, TUBE | 1 | | | | |
| 15 | B140130021AA | TIRE 3.00-21 | 1 | | | | |
| 16 | B140230021AA | INNER TUBE 3.00-21 | 1 | | | | |
| 17 | B12016020200 | BEARING 6202-2RS | 2 | | | | |
| 18 | B1404Z2011A0 | CAP, VALVE A | 1 | | | | |
| 19 | 44012BP0Y000 | SPOKE | 9 | | | | |

F04 DISC BRAKE

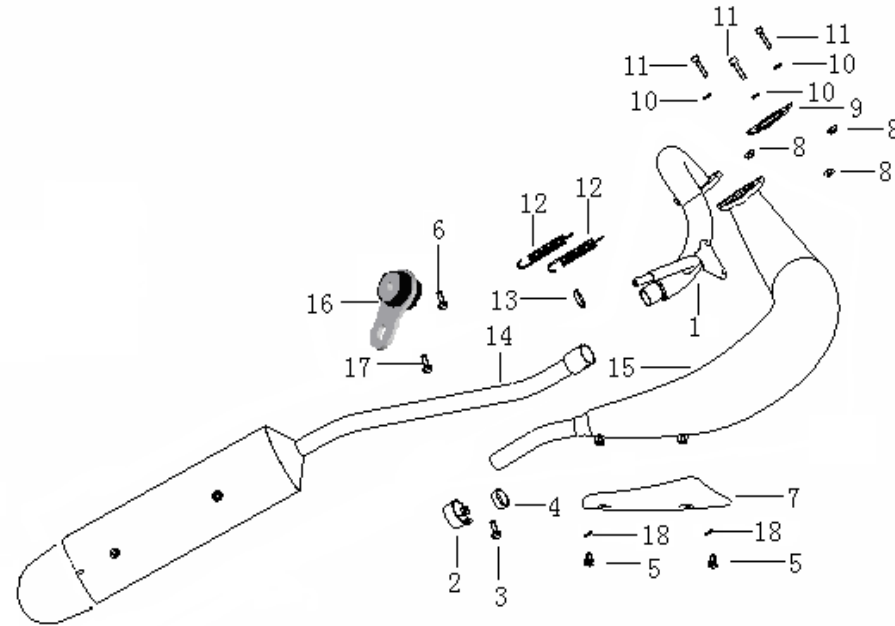
TRIGGER 50 X



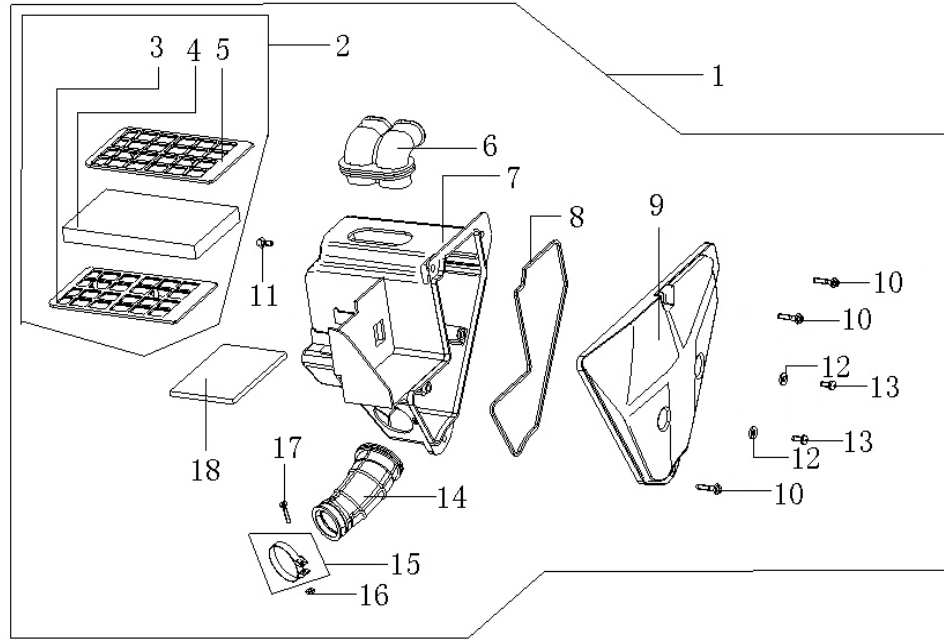
| NO. | PART NO. | DESCRIPTION | QTY | DESIGN CHANGE | DATE | APPLY | REMARK |
|-----|--------------|-------------------|-----|---------------|------|-------|--------|
| 1 | 45000BP0Y000 | DISK BRAKE ASSY. | 1 | | | | |
| 2 | 45110BP0Y000 | BRAKE SHOE ASSY | 1 | | | | |
| 3 | 45039BM0T000 | BOLT M8×34MM | 2 | | | | |
| 4 | 45022BP0Y000 | LEVER, DISK BRAKE | 1 | | | | |
| 5 | 45023BP0Y000 | COVER | 1 | | | | |
| 6 | B02050602565 | SCREW M6×25MM | 2 | | | | |
| 7 | 45200BP0Y000 | BRAKE TUBE ASSY | 1 | | | | |
| 8 | B07030000804 | WASHER 8MM | 2 | | | | |
| 9 | 45300BP0Y000 | BRAKE SWITCH ASSY | 1 | | | | |
| 10 | B02000201225 | SCREW M2×12MM | 2 | | | | |

F05 MUFFLER

TRIGGER 50 X



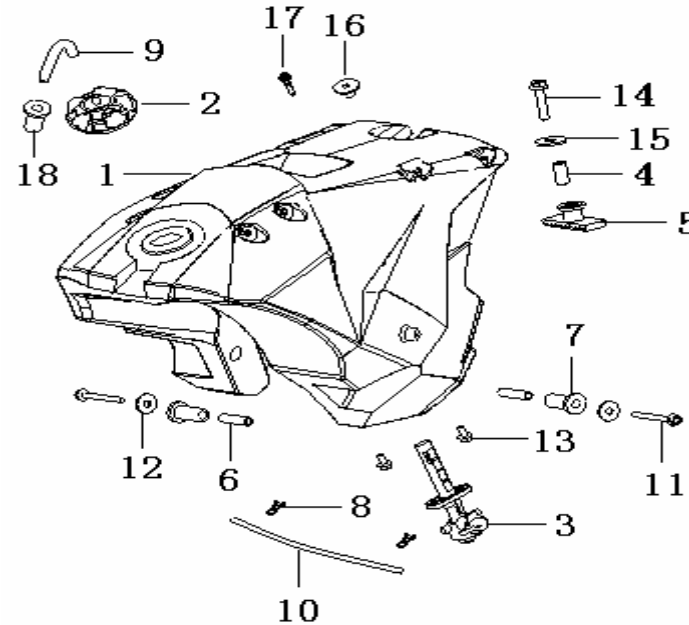
| NO. | PART NO. | DESCRIPTION | QTY | DESIGN CHANGE | DATE | APPLY | REMARK |
|-----|--------------|---------------------|-----|---------------|------|-------|--------|
| 1 | 47500BP0Y000 | EXHAUST PIPE,ASSY | 1 | | | | |
| 2 | 47150BP0Y000 | CLAMP,ASSY | 1 | | | | |
| 3 | B13010602505 | SCREW M6×25MM | 1 | | | | |
| 4 | 47035BP0Y000 | SPACE | 1 | | | | |
| 5 | B02000601025 | SCREW M6×10MM | 2 | | | | |
| 6 | B01090602065 | BOLT M6×20MM | 1 | | | | |
| 7 | 47009BP0Y000 | COVER, PROTECTOR | 1 | | | | |
| 8 | B04070600055 | NUT M6MM | 3 | | | | |
| 9 | 47121BP0Y000 | GASKET, MUFFLER | 1 | | | | |
| 10 | B07030000605 | WASHER 6MM | 3 | | | | |
| 11 | B02050602565 | SCREW M6×25MM | 3 | | | | |
| 12 | 47041BP0Y000 | SPRING | 2 | | | | |
| 13 | 47811BP0Y000 | GASKET | 1 | | | | |
| 14 | 48200BP0Y000 | MUFFLER COMP,BACK | 1 | | | | |
| 15 | 47200BP0Y000 | MUFFLER COMP,FRONT | 1 | | | | |
| 16 | 47600B0GY000 | RUBBER CUSHION ASSY | 1 | | | | |
| 17 | B01090601265 | BOLT M6×12MM | 1 | | | | |
| 18 | B07030000605 | WASHER 6MM | 2 | | | | |



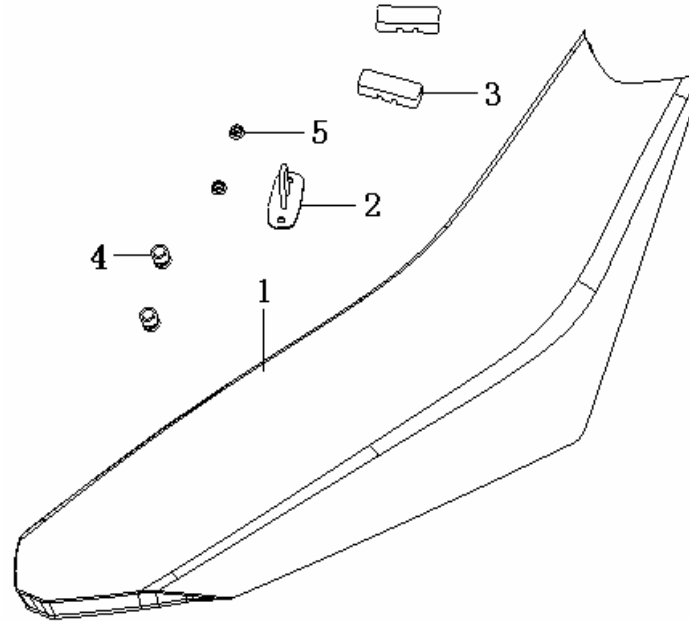
| NO. | PART NO. | DESCRIPTION | QTY | DESIGN CHANGE | DATE | APPLY | REMARK |
|-----|--------------|------------------------|-----|---------------|------|-------|--------|
| 1 | 49000BP0Y000 | AIR CLEANER ASSY. | 1 | | | | |
| 2 | 49200BP0Y000 | AIR ELEMENT ASSY. | 1 | | | | |
| 3 | 49204BP0Y000 | FILTRATE1 | 1 | | | | |
| 4 | 49202BP0Y000 | SPONGE AIR ELEMENT | 1 | | | | |
| 5 | 49207BP0Y000 | FILTRATE2 | 1 | | | | |
| 6 | 49002BP0Y000 | GUIDE PIPE | 1 | | | | |
| 7 | 49100BP0Y000 | CASE, AIR CLEANER ASSY | 1 | | | | |
| 8 | 49013BP0Y000 | SEAL GASKET | 1 | | | | |
| 9 | 49001BP0Y000 | COVER, AIR CLEANER | 1 | | | | |
| 10 | B01090502565 | BOLT M5×25MM | 3 | | | | |
| 11 | B01090501265 | BOLT M5×12MM | 1 | | | | |
| 12 | 49022BP0Y000 | GROMMET | 2 | | | | |
| 13 | B13010501405 | SCREW M5×14MM | 2 | | | | |
| 14 | 49005BP0Y000 | CONNECTTING PIPE | 1 | | | | |
| 15 | 49350J00P000 | CLIP | 1 | | | | |
| 16 | B04270400055 | NUT M4MM | 1 | | | | |
| 17 | B02000402565 | SCREW M4×25MM | 1 | | | | |
| 18 | 49003BP0Y000 | SPONGE | 1 | | | | |

F07 FUEL TANK

TRIGGER 50 X



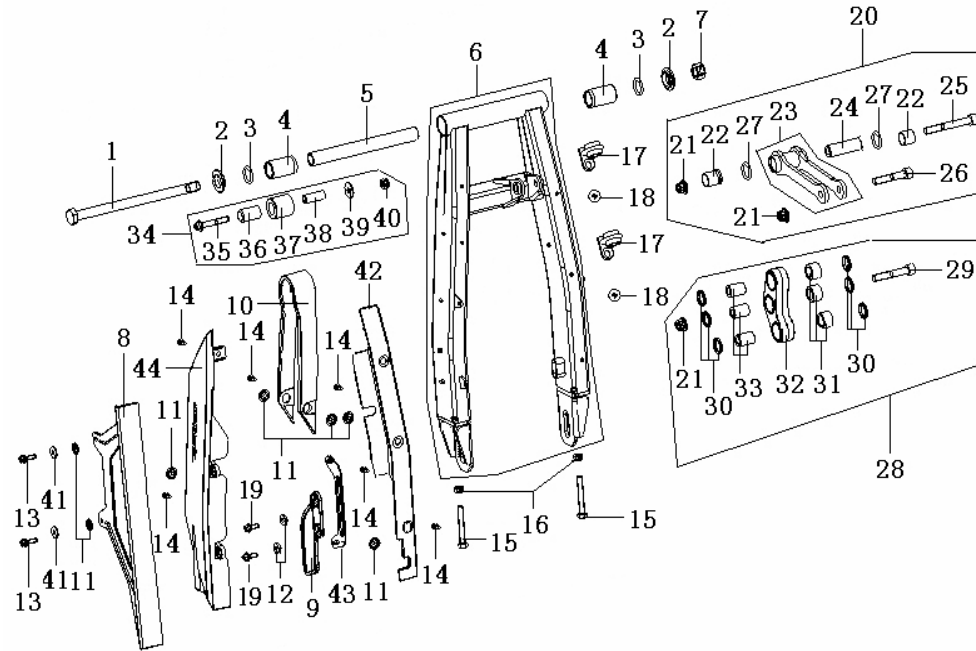
| NO. | PART NO. | DESCRIPTION | QTY | DESIGN CHANGE | DATE | APPLY | REMARK |
|-----|--------------|--------------------------|-----|---------------|------|-------|--------|
| 1 | 50100BP0Y000 | FUEL TANK ASSY | 1 | | | | |
| 2 | 50200BP0Y000 | CAP,FULE TANK | 1 | | | | |
| 3 | 50300BP0Y000 | STRAINERCOMPASSY,FUEL | 1 | | | | |
| 4 | 50025BP0Y000 | GASKET II | 1 | | | | |
| 5 | 50005BP0Y000 | BACK FIXING MAT,FUEL | 1 | | | | |
| 6 | 50027BP0Y000 | GASKET I | 2 | | | | |
| 7 | 50026BP0Y000 | FRONT FIXING MAT,FUEL | 2 | | | | |
| 8 | 50307J00P000 | CLAMP | 2 | | | | |
| 9 | B16010522001 | PIPE Ø5×Φ9×200 | 1 | | | | |
| 10 | B16010521901 | HOSE, FUEL Ø5×Φ9×190 | 1 | | | | |
| 11 | B01090605565 | BOLT M6×55MM | 2 | | | | |
| 12 | B07090000605 | WASHER 6MM | 2 | | | | |
| 13 | B01090601265 | BOLT M6×12MM | 2 | | | | |
| 14 | B01090804065 | BOLT M8×40MM | 1 | | | | |
| 15 | B07090000805 | WASHER 8MM | 1 | | | | |
| 16 | 50031BP0Y000 | SPACE | 1 | | | | |
| 17 | B01090502565 | BOLT M5×25MM | 1 | | | | |
| 18 | 50400G0AS000 | UNILATERALISM VALVE ASSY | 1 | | | | |



| NO. | PART NO. | DESCRIPTION | QTY | DESIGN CHANGE | DATE | APPLY | REMARK |
|-----|--------------|----------------------|-----|---------------|------|-------|--------|
| 1 | 51100BP0Y000 | SEAT ASSY | 1 | | | | |
| 2 | 51150BP0Y000 | CATCH COMP LOCK ASSY | 1 | | | | |
| 3 | 51103J00P000 | RUBBER CUSHION | 2 | | | | |
| 4 | 51104K00P000 | RUBBER CUSHION | 2 | | | | |
| 5 | B04070600055 | NUT M6MM | 2 | | | | |

F09 REAR SWINGING ARM

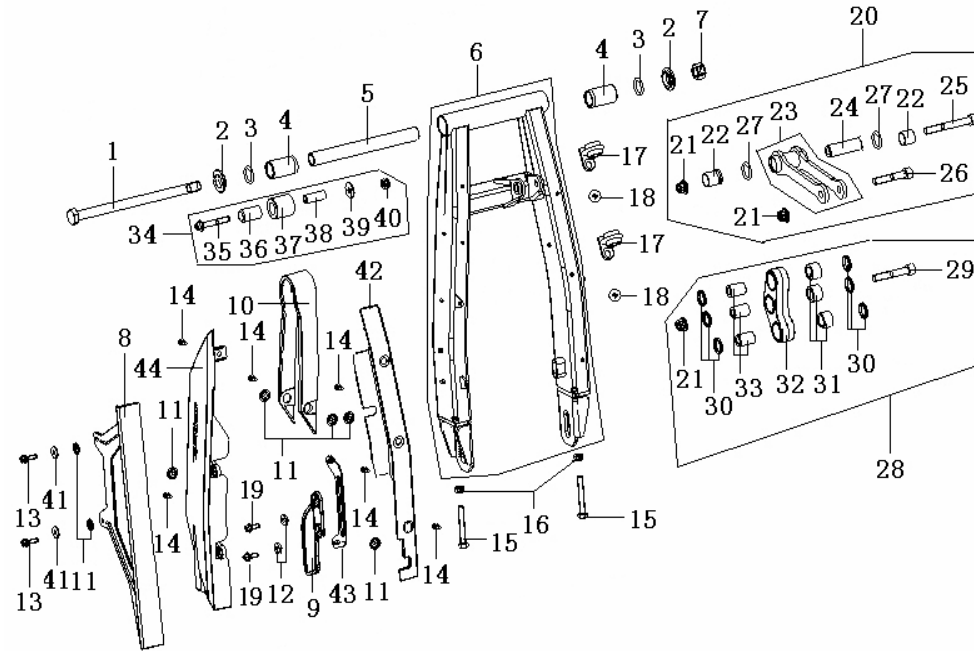
TRIGGER 50 X



| NO. | PART NO. | DESCRIPTION | QTY | DESIGN CHANGE | DATE | APPLY | REMARK |
|-----|--------------|------------------------------|-----|---------------|------|-------|--------|
| 1 | 53001BP0Y000 | SHAFT | 1 | | | | |
| 2 | 53017BP0Y000 | REAR SWINGING ARM SIDE COVER | 2 | | | | |
| 3 | B190102000C0 | O -SEAL RING 20×3.55 | 2 | | | | |
| 4 | 53006BP0Y000 | SPACER | 2 | | | | |
| 5 | 53005BP0Y000 | INSIDE COLLAR | 1 | | | | |
| 6 | 53100BP0Y000 | REAR SWINGING BODY | 1 | | | | |
| 7 | B04171415054 | NUT M14×1.5MM | 1 | | | | |
| 8 | 53053BP0Y000 | TOP PROTECTOR COVER CHAIN | 1 | | | | |
| 9 | 53054BP0YW50 | BELOW PROTECTOR COVER CHAIN | 1 | | | | |
| 10 | 53004BP0Y000 | CHAIN PROTECTOR BOARD | 1 | | | | |
| 11 | 53056BP0Y000 | SPACER 2 | 7 | | | | |
| 12 | 53055BP0Y000 | SPACER 1 | 2 | | | | |
| 13 | B01090502065 | BOLT M5×20MM | 2 | | | | |
| 14 | B02000501265 | SCREW M5×12MM | 6 | | | | |
| 15 | B01010806025 | BOLT M8×60MM | 2 | | | | |
| 16 | B04000800055 | NUT M8MM | 2 | | | | |
| 17 | 53009NOJP000 | BRAKE HOSE HOLDER | 2 | | | | |
| 18 | B02010601663 | SCREW M6×16MM | 2 | | | | |
| 19 | B01090601665 | BOLT M6×16MM | 2 | | | | |
| 20 | 53300BP0Y000 | ARM JOIN ASSY | 1 | | | | |

F09-2 REAR SWINGING ARM

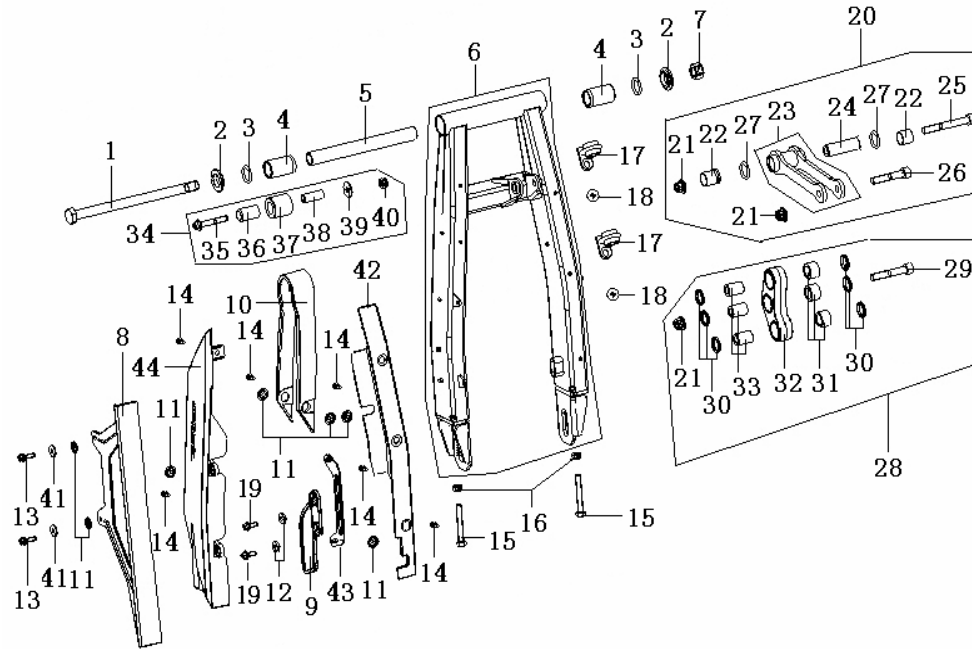
TRIGGER 50 X



| NO. | PART NO. | DESCRIPTION | QTY | DESIGN CHANGE | DATE | APPLY | REMARK |
|-----|--------------|----------------------------|-----|---------------|------|-------|--------|
| 21 | B04171012555 | NUT M10×1.25MM | 3 | | | | |
| 22 | 53301BP0Y000 | INSIDE BUSH | 2 | | | | |
| 23 | 53310BP0Y000 | ARM JOIN COMP | 1 | | | | |
| 24 | 53302BP0Y000 | COLLAR | 1 | | | | |
| 25 | B02551008565 | SCREW M10×1.25×85MM | 1 | | | | |
| 26 | B02551005565 | SCREW M10×1.25×55MM | 1 | | | | |
| 27 | B190101800B0 | O-SEAL RING 18×2.65 | 2 | | | | |
| 28 | 53240BP0Y000 | REAR ABSORBER SWINGING ARM | 1 | | | | |
| 29 | B02551006065 | SCREW M10×1.25×60MM | 1 | | | | |
| 30 | 53250BP0Y000 | DUSTPROOF COVER | 6 | | | | |
| 31 | B1210K161600 | BEARING NK16/16 | 3 | | | | |
| 32 | 53241BP0Y000 | REAR ABSORBER SWINGING ARM | 1 | | | | |
| 33 | 53242BP0Y000 | BUSH | 3 | | | | |
| 34 | 53040BP0Y000 | CHAIN ADJUST WHEEL ASSY. | 1 | | | | |
| 35 | B01090805065 | BOLT M8×50MM | 1 | | | | |
| 36 | 53019BP0Y000 | BUSH | 1 | | | | |
| 37 | 53018BP0Y000 | CHAIN ADJUST WHEEL | 1 | | | | |
| 38 | 53021BP0Y000 | BUSH | 1 | | | | |
| 39 | B07020000805 | WASHER 8MM | 2 | | | | |
| 40 | B04070800055 | NUT M8MM | 1 | | | | |

F09-3 REAR SWINGING ARM

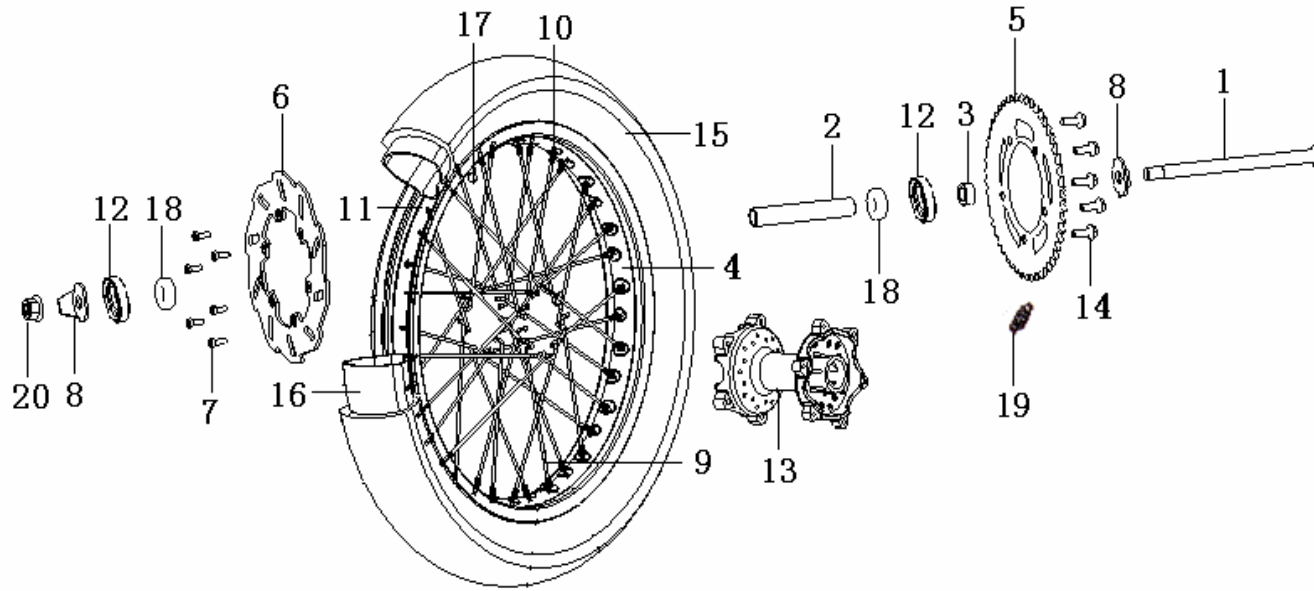
TRIGGER 50 X



| NO. | PART NO. | DESCRIPTION | QTY | DESIGN CHANGE | DATE | APPLY | REMARK |
|-----|--------------|--------------------------------|-----|---------------|------|-------|--------|
| 41 | B07020000505 | WASHER 5MM | 2 | | | | |
| 42 | 53052BP0Y000 | DECORATE, R, REAR SWINGING ARM | 1 | | | | |
| 43 | 53060BP0Y000 | STRENGTHEN COMP. | 1 | | | | |
| 44 | 53051BP0Y000 | DECORATE, L, REAR SWINGING ARM | 1 | | | | |

F10 REAR WHEEL

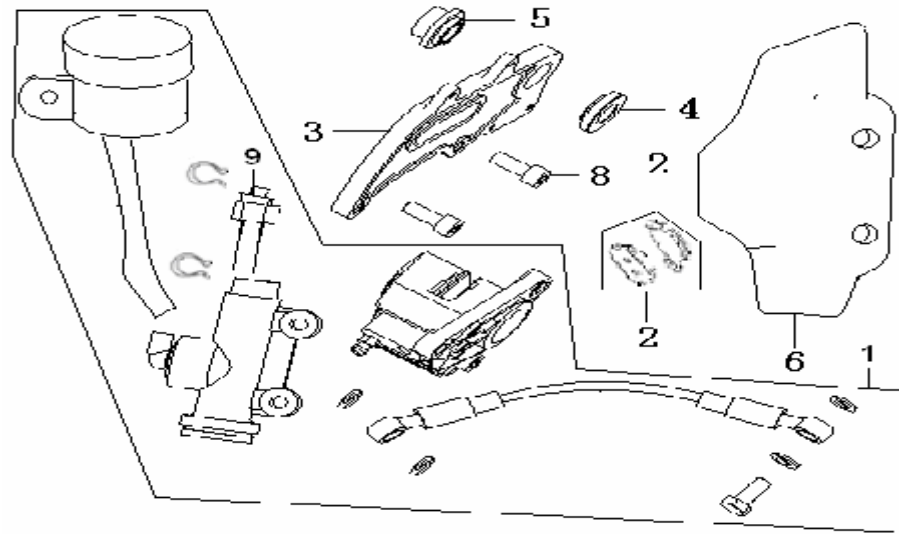
TRIGGER 50 X



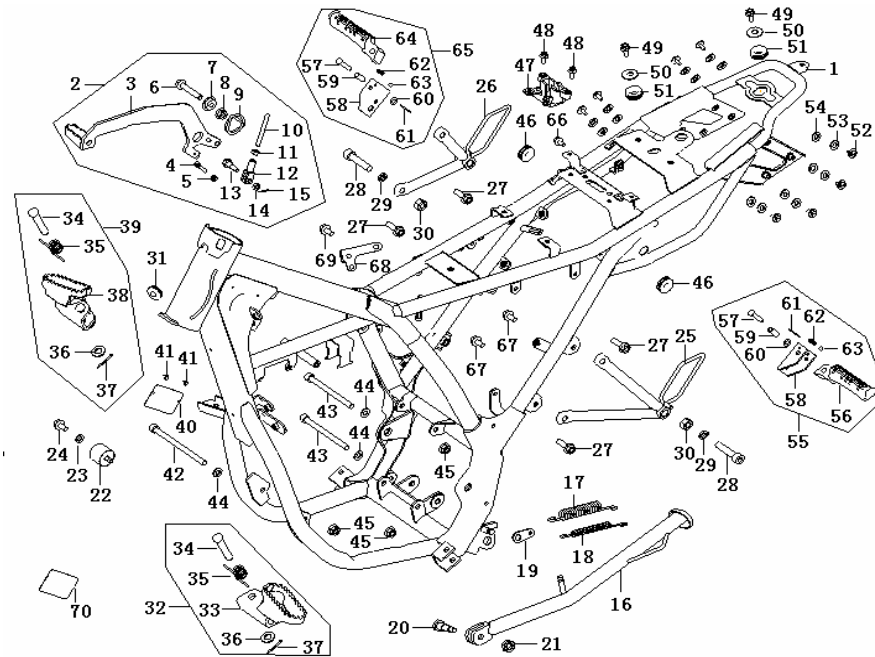
| NO. | PART NO. | DESCRIPTION | QTY | DESIGN CHANGE | DATE | APPLY | REMARK |
|-----|--------------|-------------------------|-----|---------------|------|-------|--------|
| 1 | 54004BP0Y000 | AXLE, REAR WHEEL | 1 | | | | |
| 2 | 54006BP0Y000 | BEARING BUSH | 1 | | | | |
| 3 | 54016BP0Y000 | SPACER, RR. WHEEL,L. | 1 | | | | |
| 4 | 54101BPBY000 | RIM, REAR WHEEL | 1 | | | | |
| 5 | 60002BP0Y000 | SPROKET, CHAIN | 1 | | | | |
| 6 | 55033BP0Y000 | REAR BRAKE DISK | 1 | | | | |
| 7 | 45036BP0Y000 | BOLT, BRAKE DISK | 6 | | | | |
| 8 | 54032BP0Y000 | REAR PRESS BOARD | 2 | | | | |
| 9 | 54011BP0Y000 | SPOKE | 36 | | | | |
| 10 | 54014BP0Y000 | NIPPLE | 36 | | | | |
| 11 | 54013BP0Y000 | PROTECTOR,TUBE | 1 | | | | |
| 12 | 44300BM0T000 | DUST SEAL ASSY | 2 | | | | |
| 13 | 54102BP0Y000 | REAR WHEEL HUB | 1 | | | | |
| 14 | 60015BP0Y000 | BOLT, SPROKET | 5 | | | | |
| 15 | B140141018DA | TIRE 4.10-18 | 1 | | | | |
| 16 | B140241018DA | INNER TUBE 4.10-18 | 1 | | | | |
| 17 | B1404Z2011A0 | CAP, VALVE A | 1 | | | | |
| 18 | B12016020200 | BEARING 6202-2RS | 2 | | | | |
| 19 | B1502V1128B0 | DRIVE CHAIN 420DX-1×128 | 1 | | | | |
| 20 | B04171415055 | NUT M14×1.5MM | 1 | | | | |

F11 REAR DISC BRAKE

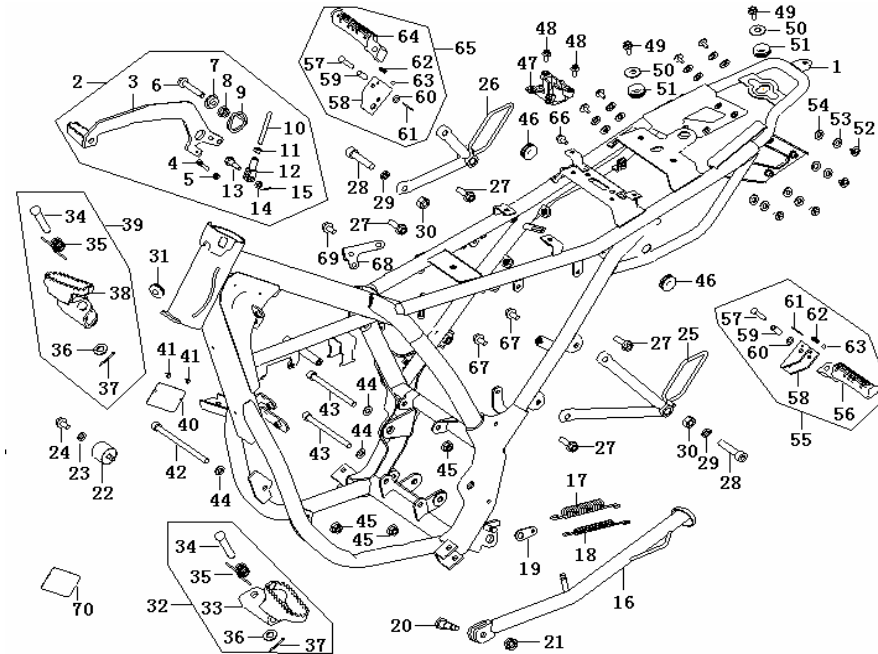
TRIGGER 50 X



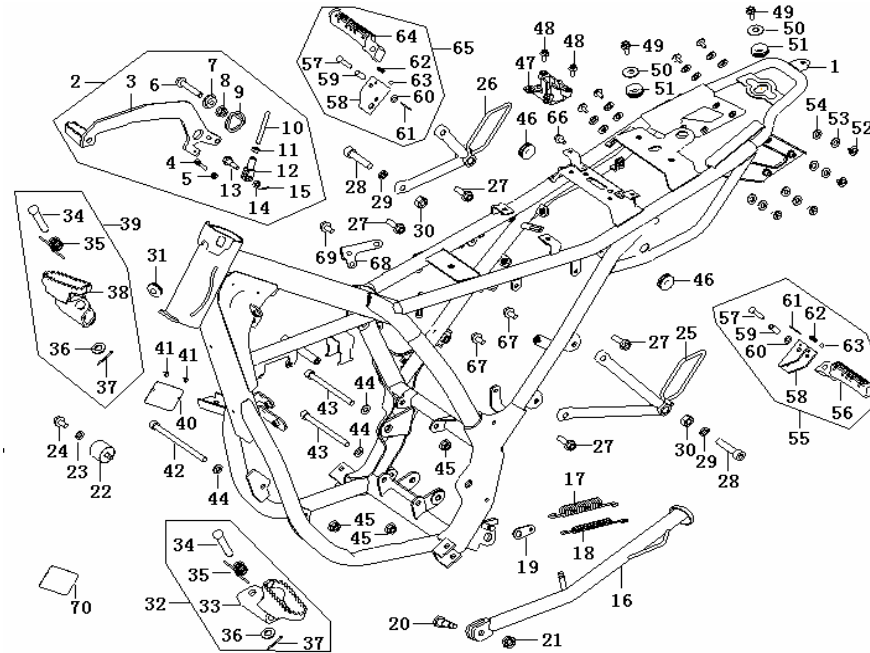
| NO. | PART NO. | DESCRIPTION | QTY | DESIGN CHANGE | DATE | APPLY | REMARK |
|-----|--------------|----------------------|-----|---------------|------|-------|--------|
| 1 | 55000BP0Y000 | BACK DISK BRAKE | 1 | | | | |
| 2 | 55110BP0Y000 | BRAKE SHOE ASSY | 1 | | | | |
| 3 | 55025BP0Y000 | BRACKET | 1 | | | | |
| 4 | 55049BP0Y000 | BUSH I | 1 | | | | |
| 5 | 55095BP0Y000 | BUSH II | 1 | | | | |
| 6 | 55041BP0Y000 | DECORATE BOARD | 1 | | | | |
| 7 | 55042BP0Y000 | BUSH | 2 | | | | |
| 8 | B02050802065 | SCREW M8×20MM | 2 | | | | |
| 9 | 55300BP0Y000 | PRESSURE SENDER ASSY | 1 | | | | |



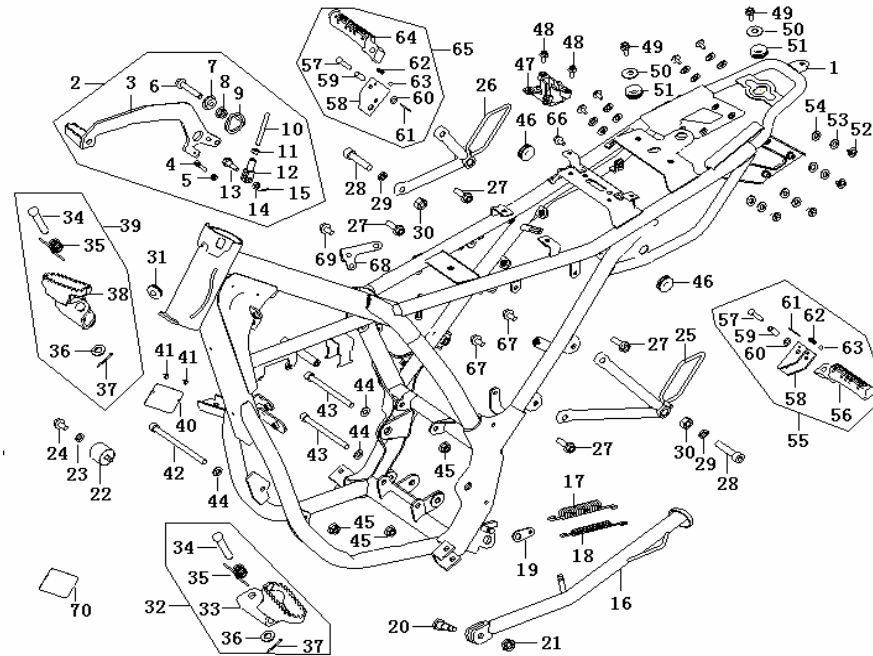
| NO. | PART NO. | DESCRIPTION | QTY | DESIGN CHANGE | DATE | APPLY | REMARK |
|-----|--------------|---------------------------|-----|---------------|------|-------|--------|
| 1 | 57100BP0Y000 | FRAME JOINTING ASSY | 1 | | | | |
| 2 | 40700BP0Y000 | PEDAL ASSY,BRAKE | 1 | | | | |
| 3 | 40710BP0Y000 | PEDAL JOINTING ASSY,BRAKE | 1 | | | | |
| 4 | B02050503065 | SCREW M5×30MM | 1 | | | | |
| 5 | B04000500055 | NUT M5MM | 1 | | | | |
| 6 | B01090805065 | BOLT M8×50MM | 1 | | | | |
| 7 | 40705BP0Y000 | SPACER | 1 | | | | |
| 8 | B04170800055 | NUT M8MM | 1 | | | | |
| 9 | 40709BP0Y000 | SPRING | 1 | | | | |
| 10 | 40715BP0Y000 | PULL ROD | 1 | | | | |
| 11 | B04000600055 | NUT M6MM | 1 | | | | |
| 12 | 40716BP0Y000 | PULL HANDLE | 1 | | | | |
| 13 | 40717BP0Y000 | BOLT | 1 | | | | |
| 14 | B04000600055 | NUT M6MM | 1 | | | | |
| 15 | B090002018A3 | SPLIT PIN 2×18MM | 1 | | | | |
| 16 | 58700BP0Y000 | SIDE STAND | 1 | | | | |
| 17 | 57004BP0Y000 | SPRING | 1 | | | | |
| 18 | 57003BP0Y000 | SPRING | 1 | | | | |
| 19 | 57006BP0Y000 | SPRING PLATE | 1 | | | | |
| 20 | 57005BP0Y000 | BOLT | 1 | | | | |



| NO. | PART NO. | DESCRIPTION | QTY | DESIGN CHANGE | DATE | APPLY | REMARK |
|-----|--------------|------------------------------|-----|---------------|------|-------|--------|
| 21 | B04001012555 | NUT M10×1.25MM | 1 | | | | |
| 22 | 58920BP0Y000 | RUBBER MAT COMP | 1 | | | | |
| 23 | B07030000605 | WASHER 6MM | 1 | | | | |
| 24 | B01090601265 | BOLT M6×12MM | 1 | | | | |
| 25 | 58270BP0Y000 | CANAL PEDAL COMP REAR LH | 1 | | | | |
| 26 | 58290BP0Y000 | CANAL PEDAL COMP REAR RH | 1 | | | | |
| 27 | B01090802565 | BOLT M8×25MM | 4 | | | | |
| 28 | B02051004565 | SCREW M10×45MM | 2 | | | | |
| 29 | B07000001005 | WASHER 10MM | 2 | | | | |
| 30 | B04051000055 | NUT M10MM | 2 | | | | |
| 31 | 65705J00P000 | WASHER | 1 | | | | |
| 32 | 58220BP0Y000 | PANEL FLOOR COMP LH | 1 | | | | |
| 33 | 58250BP0Y000 | PANEL FLOOR JOINTING COMP LH | 1 | | | | |
| 34 | 57024BP0Y000 | PIN | 2 | | | | |
| 35 | 58202BP0Y000 | SPRING | 2 | | | | |
| 36 | B07030000805 | WASHER 8MM | 2 | | | | |
| 37 | B090002018A3 | SPLIT PIN 2×18MM | 2 | | | | |
| 38 | 58230BP0Y000 | PANEL FLOOR JOINTING COMP RH | 1 | | | | |
| 39 | 58240BP0Y000 | PANEL FLOOR COMP RH | 1 | | | | |
| 40 | 57001BP0Y000 | PLATE,VIN | 1 | | | | |



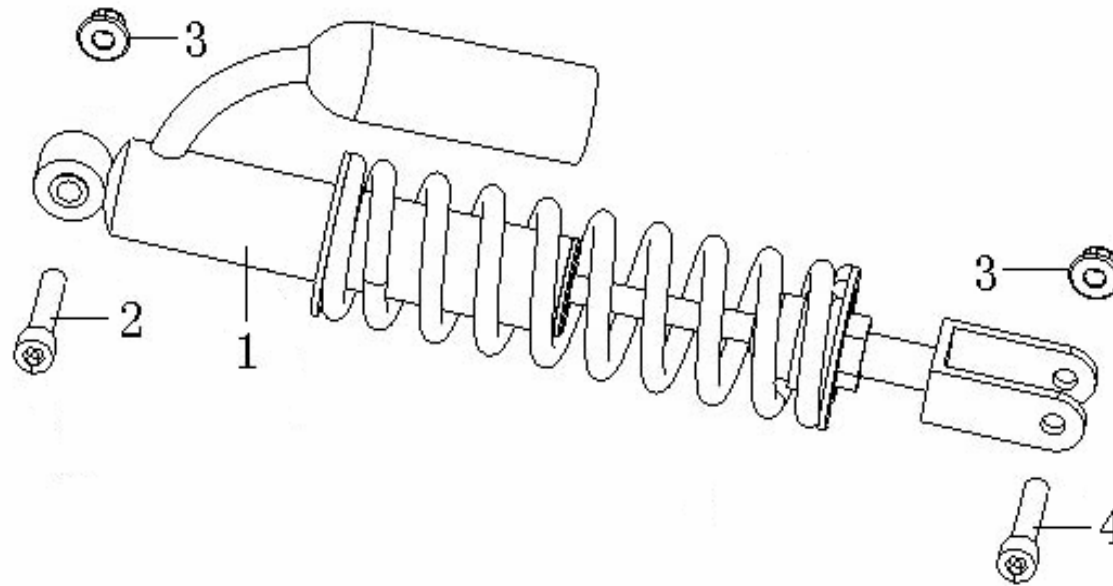
| NO. | PART NO. | DESCRIPTION | QTY | DESIGN CHANGE | DATE | APPLY | REMARK |
|-----|--------------|--------------------|-----|---------------|------|-------|--------|
| 41 | B10000300600 | RIVET 3×6MM | 2 | | | | |
| 42 | B02050812065 | SCREW M8×120MM | 1 | | | | |
| 43 | B02050810065 | SCREW M8×100MM | 2 | | | | |
| 44 | B07030000805 | WASHER 8MM | 3 | | | | |
| 45 | B04170800055 | NUT M8MM | 3 | | | | |
| 46 | 65618J00P000 | CUSHION | 2 | | | | |
| 47 | 88500BP0Y000 | LOCK | 1 | | | | |
| 48 | B01090601265 | BOLT M6×12MM | 2 | | | | |
| 49 | B01090801665 | BOLT M8×16MM | 2 | | | | |
| 50 | 57206BP0Y000 | BUSH, MUFFER | 2 | | | | |
| 51 | 57209BP0Y000 | CUSHION, MUFFER | 2 | | | | |
| 52 | 57032BP0Y000 | CUSHION | 8 | | | | |
| 53 | B07030000805 | WASHER 8MM | 8 | | | | |
| 54 | B13060501605 | SCREW M5×16MM | 8 | | | | |
| 55 | 58260BP0Y000 | PEDAL COMP REAR LH | 1 | | | | |
| 56 | 58266BP0Y000 | ROD LH | 1 | | | | |
| 57 | 58265BP0Y000 | PIN | 2 | | | | |
| 58 | 58287BP0Y000 | MAT FLOOR | 2 | | | | |
| 59 | 58284BP0Y000 | REAR SPACER PEDAL | 2 | | | | |
| 60 | 58263BP0Y000 | WASHER | 2 | | | | |



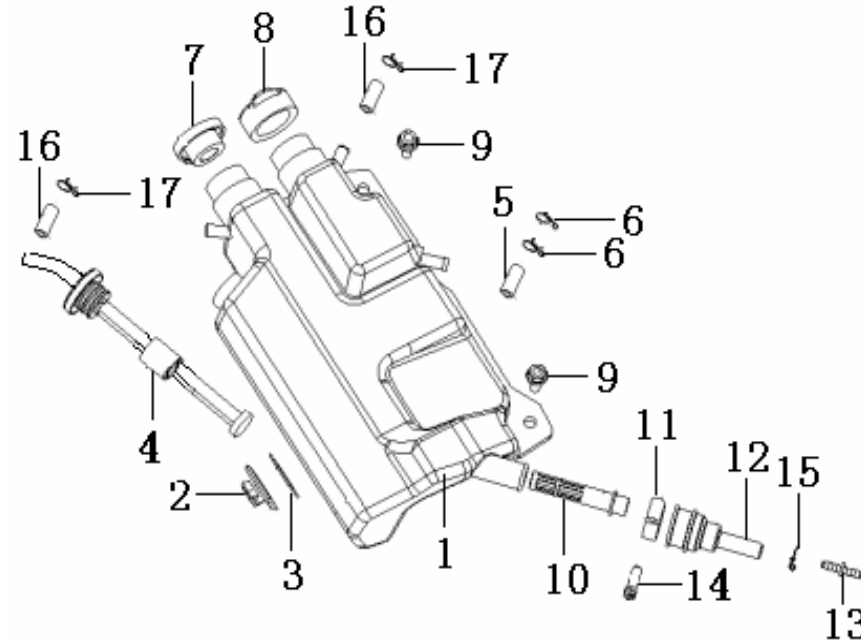
| NO. | PART NO. | DESCRIPTION | QTY | DESIGN CHANGE | DATE | APPLY | REMARK |
|-----|--------------|----------------------|-----|---------------|------|-------|--------|
| 61 | B09001602010 | SPLIT PIN 1.6×20MM | 2 | | | | |
| 62 | 58282BP0Y000 | SPRING | 2 | | | | |
| 63 | B06010190000 | STEEL BALL | 2 | | | | |
| 64 | 58286BP0Y000 | PEDAL ROD RH | 1 | | | | |
| 65 | 58280BP0Y000 | PEDAL COMP REAR RH | 1 | | | | |
| 66 | B01090601265 | BOLT M6×12MM | 1 | | | | |
| 67 | B01090602065 | BOLT M6×20MM | 2 | | | | |
| 68 | 57173BP0Y000 | ENHANCE BOARD, VALVE | 1 | | | | |
| 69 | B01090601265 | BOLT M6×12MM | 1 | | | | |
| 70 | 57002BP0Y000 | PLATE,VIN | 1 | | | | |

F13 REAR ABSORBER

TRIGGER 50 X



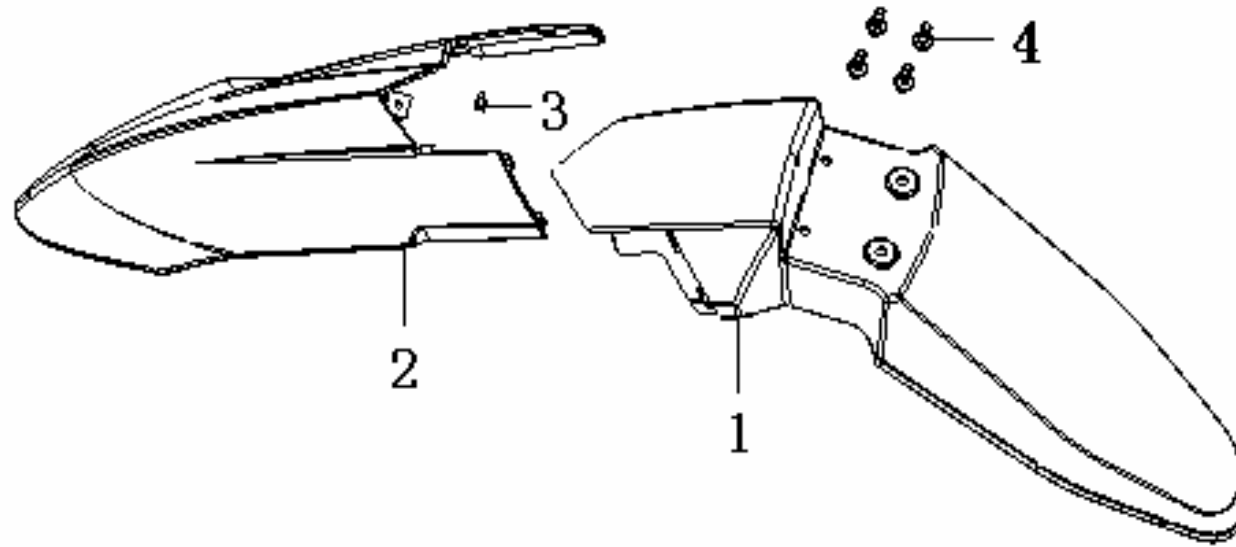
| NO. | PART NO. | DESCRIPTION | QTY | DESIGN CHANGE | DATE | APPLY | REMARK |
|-----|--------------|--------------------|-----|---------------|------|-------|--------|
| 1 | 63100BP0Y000 | RR. ABSORBER COMP | 1 | | | | |
| 2 | B02551005065 | BOLT M10×1.25×50MM | 1 | | | | |
| 3 | B04171012555 | NUT M10×1.25MM | 2 | | | | |
| 4 | B02551005565 | BOLT M10×1.25×55MM | 1 | | | | |



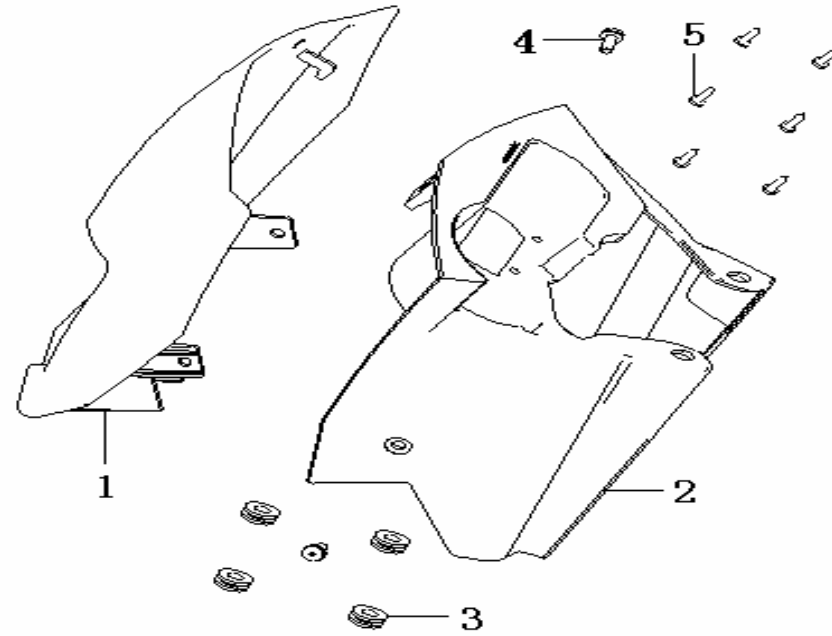
| NO. | PART NO. | DESCRIPTION | QTY | DESIGN CHANGE | DATE | APPLY | REMARK |
|-----|--------------|-----------------------|-----|---------------|------|-------|--------|
| 1 | 64001BP0Y000 | OIL TANK | 1 | | | | |
| 2 | 64071BP0Y000 | HOLDER | 1 | | | | |
| 3 | 64072BP0Y000 | FILM | 1 | | | | |
| 4 | 64100BP0Y000 | OIL SENSOR ASSY | 1 | | | | |
| 5 | 20603N0TF000 | HOSE | 1 | | | | |
| 6 | 50308N00S000 | CLIP | 2 | | | | |
| 7 | 64091BP0Y000 | OIL TANK CAP | 1 | | | | |
| 8 | 64031BP0Y000 | WATER TANK CAP | 1 | | | | |
| 9 | B01090601665 | BOLT M6×16MM | 2 | | | | |
| 10 | 64050BP0Y000 | FILTER ASSY | 1 | | | | |
| 11 | 64060BP0Y000 | CLIP ASSY | 1 | | | | |
| 12 | 64004BP0Y000 | OIL TANK PIPE | 1 | | | | |
| 13 | 64008BP0Y000 | CONNECTOR | 1 | | | | |
| 14 | B02000401665 | SCREW M4×16MM | 1 | | | | |
| 15 | B17010080000 | CLIP, STEEL WIRE 8MM | 1 | | | | |
| 16 | B16010722501 | PIPE Φ7×Φ11×250MM | 2 | | | | |
| 17 | B17010100000 | CLIP, STEEL WIRE 10MM | 2 | | | | |

F15 FRONT FENDER

TRIGGER 50 X



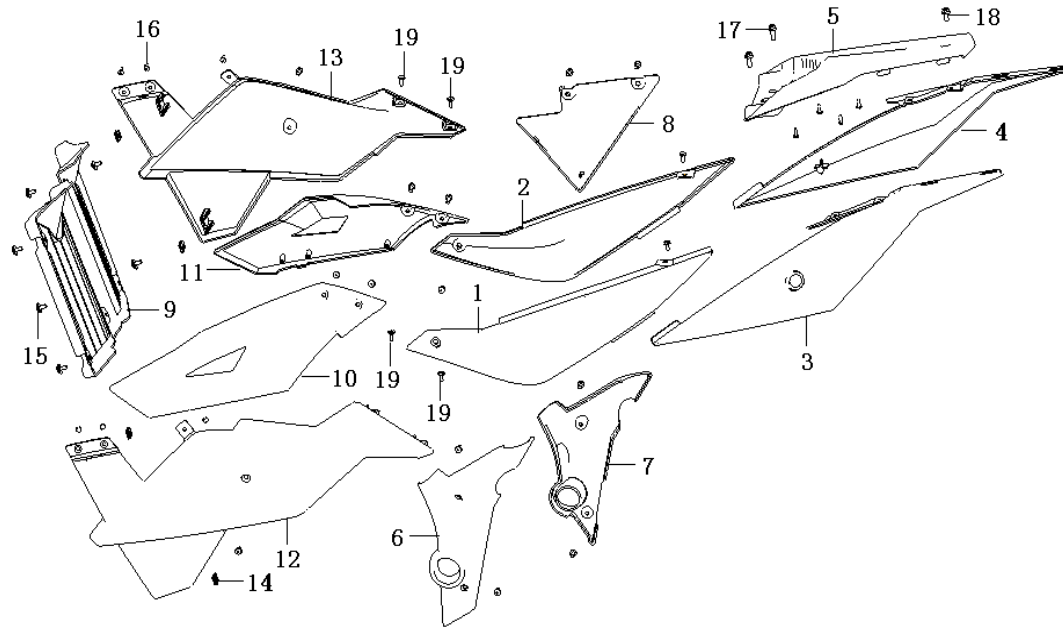
| NO. | PART NO. | DESCRIPTION | QTY | DESIGN CHANGE | DATE | APPLY | REMARK |
|-----|--------------|------------------|-----|---------------|------|-------|--------|
| 1 | 65101BP0Y000 | FRONT FENDER I | 1 | | | | |
| 2 | 65106BP0YYB0 | FRONT FENDER II | 1 | | | | |
| 2 | 65106BP0YLZ0 | FRONT FENDER II | 1 | | | | |
| 3 | B05004201305 | SCREW ST4.2×13MM | 1 | | | | |
| 4 | B01090601665 | BOLT M6×16MM | 4 | | | | |



| NO. | PART NO. | DESCRIPTION | QTY | DESIGN CHANGE | DATE | APPLY | REMARK |
|-----|--------------|----------------------|-----|---------------|------|-------|--------|
| 1 | 65501BP0YW50 | COWLING | 1 | | | | |
| 2 | 65483BP0Y000 | BRACKET, SPEEDOMETER | 1 | | | | |
| 3 | 65502J00P001 | CUSHION | 6 | | | | |
| 4 | B13010501205 | SCREW M5×12MM | 2 | | | | |
| 5 | B05070401605 | SCREW ST4×16MM | 6 | | | | |

F17 FRAME COVER

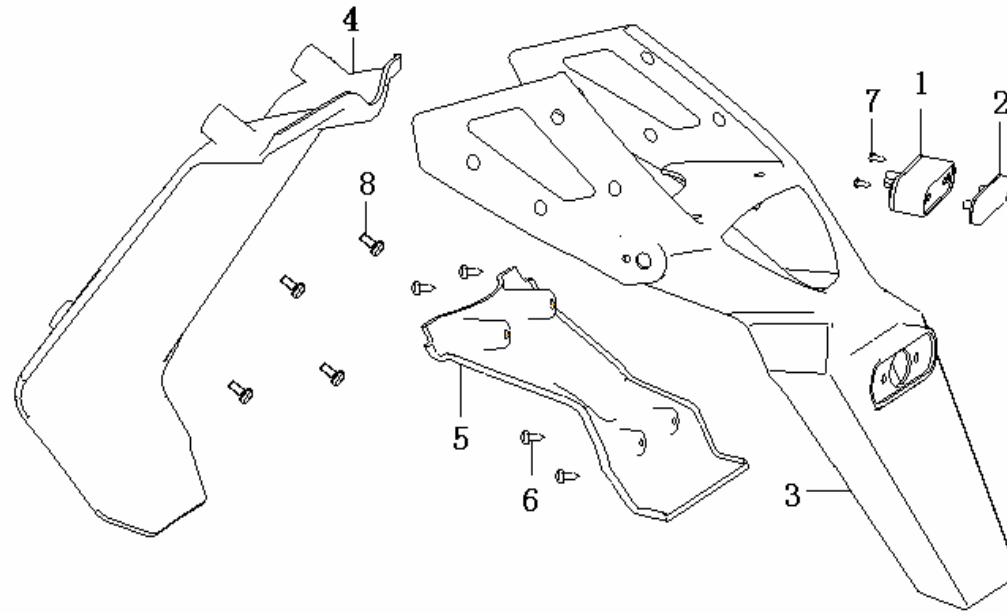
TRIGGER 50 X



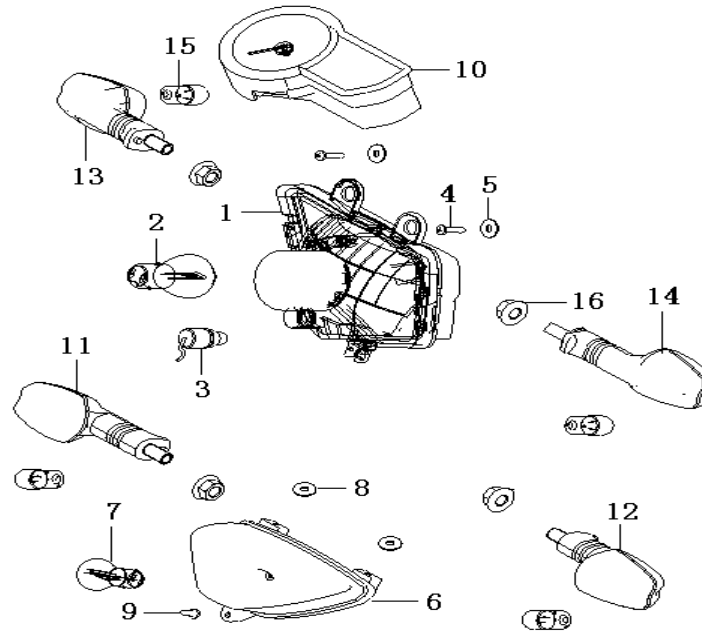
| NO. | PART NO. | DESCRIPTION | QTY | DESIGN CHANGE | DATE | APPLY | REMARK |
|-----|--------------|---------------------|-----|---------------|------|-------|--------|
| 1 | 65601BP0Y000 | LEFT COVER | 1 | | | | |
| 2 | 65602BP0Y000 | RIGHT COVER | 1 | | | | |
| 3 | 65603BP0YW50 | REAR COVER, LH | 1 | | | | |
| 4 | 65604BP0YW50 | REAR COVER, RH | 1 | | | | |
| 5 | 65605BP0YYB0 | JOIN BOARD | 1 | | | | |
| 5 | 65605BP0YLZ0 | JOIN BOARD | 1 | | | | |
| 6 | 65001BP0Y000 | FRAME COVER, LH | 1 | | | | |
| 7 | 65002BP0Y000 | FRAME COVER, RH | 1 | | | | |
| 8 | 65005BP0Y000 | COVER, RH | 1 | | | | |
| 9 | 65502BP0Y000 | BELOW COWLING | 1 | | | | |
| 10 | 65671BP0YYB0 | FRONT UP COVER,LH | 1 | | | | |
| 10 | 65671BP0YLZ0 | FRONT UP COVER,LH | 1 | | | | |
| 11 | 65681BP0YYB0 | FRONT UP COVER,RH | 1 | | | | |
| 11 | 65681BP0YLZ0 | FRONT UP COVER,RH | 1 | | | | |
| 12 | 65672BP0YBU0 | FORNT DOWN COVER,LH | 1 | | | | |
| 13 | 65682BP0YBU0 | FRONT DOWN COVER,RH | 1 | | | | |
| 14 | 65801GB0T000 | NUT | 4 | | | | |
| 15 | B13010501205 | SCREW M5×12MM | 18 | | | | |
| 16 | B05004201305 | SCREW ST4.2×13MM | 14 | | | | |
| 17 | B01090801665 | BOLT M8×16MM | 2 | | | | |
| 18 | B01090601265 | BOLT M6×12MM | 1 | | | | |
| 19 | B13060501205 | SCREW M5×12MM | 4 | | | | |

F18 REAR FENDER

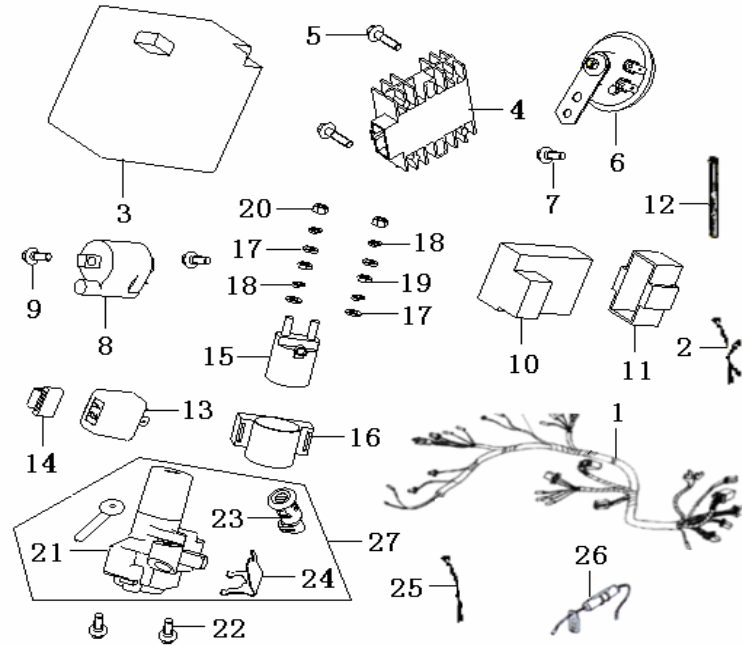
TRIGGER 50 X



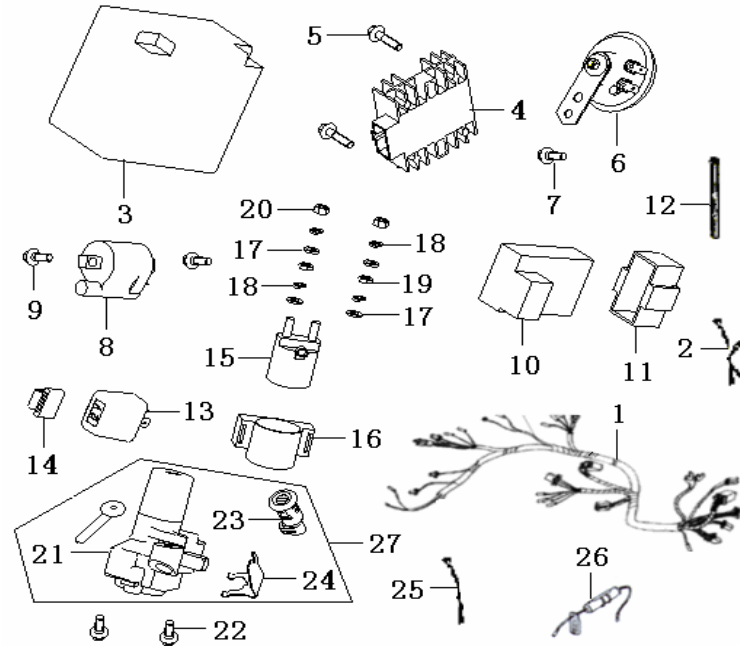
| NO. | PART NO. | DESCRIPTION | QTY | DESIGN CHANGE | DATE | APPLY | REMARK |
|-----|--------------|---------------------|-----|---------------|------|-------|--------|
| 1 | 82500BN0T000 | LAMP ,LICENSE PLATE | 1 | | | | |
| 2 | 86500BN0T000 | REAR REFLECTOR | 1 | | | | |
| 3 | 65701BP0Y000 | REAR FENDER I | 1 | | | | |
| 4 | 65761BP0Y000 | FENDER,REAR | 1 | | | | |
| 5 | 65709BP0Y000 | REAR FENDER II | 1 | | | | |
| 6 | B05004201305 | SCREW ST4.2×13MM | 4 | | | | |
| 7 | B05004201305 | SCREW ST4.2×13MM | 2 | | | | |
| 8 | B13010501205 | SCREW M5×12MM | 4 | | | | |



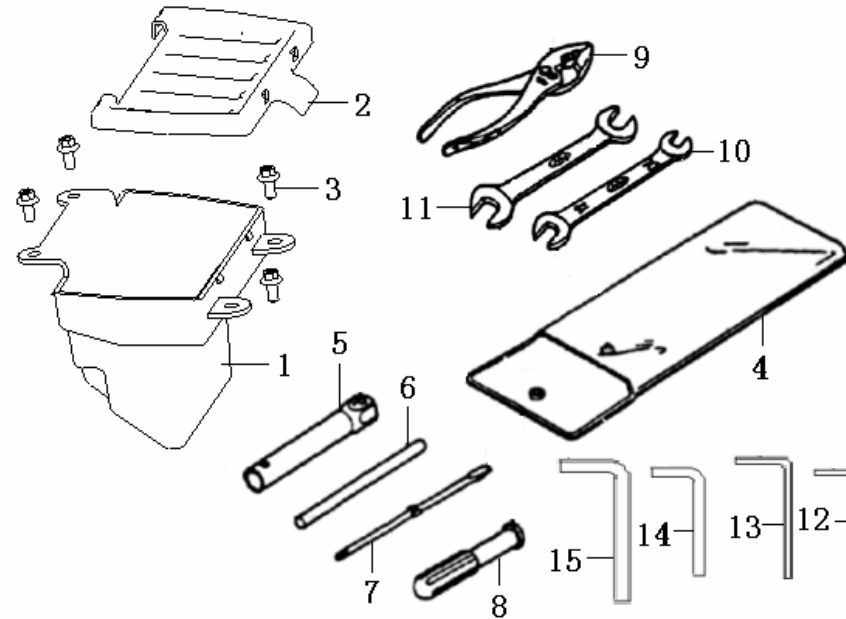
| NO. | PART NO. | DESCRIPTION | QTY | DESIGN CHANGE | DATE | APPLY | REMARK |
|-----|--------------|---------------------------------|-----|---------------|------|-------|--------|
| 1 | 80000BP0Y000 | HEAD LAMP ASSY. | 1 | | | | |
| 2 | 80002BP0Y000 | BULB 12V/35W | 1 | | | | |
| 3 | 80023BP0Y000 | BULB 12V/5W | 1 | | | | |
| 4 | B05004201605 | SCREW ST4.2×16MM | 2 | | | | |
| 5 | B07020000505 | WASHER 5MM | 2 | | | | |
| 6 | 82000BP0Y000 | TAIL LAMP ASSY. | 1 | | | | |
| 7 | 82005BP0Y000 | BULB, TAIL LIGHT 12V21W/5W | 1 | | | | |
| 8 | B07020000405 | WASHER 4MM | 2 | | | | |
| 9 | B05004201305 | SCREW ST4.2×13MM | 1 | | | | |
| 10 | 70000BP0Y000 | SPEEDOMETER ASSY. | 1 | | | | |
| 11 | 81100BP0Y000 | LAMP ASSY., FR. TURN SIGNAL, L. | 1 | | | | |
| 12 | 81300BP0Y000 | LAMP ASSY., FR. TURN SIGNAL, R. | 1 | | | | |
| 13 | 81500BP0Y000 | LAMP ASSY., RR. TURN SIGNAL, L. | 1 | | | | |
| 14 | 81700BP0Y000 | LAMP ASSY., RR. TURN SIGNAL, R. | 1 | | | | |
| 15 | 81004BP0Y000 | BULB, 12V/10W | 4 | | | | |
| 16 | B04071000055 | NUT M10MM | 4 | | | | |



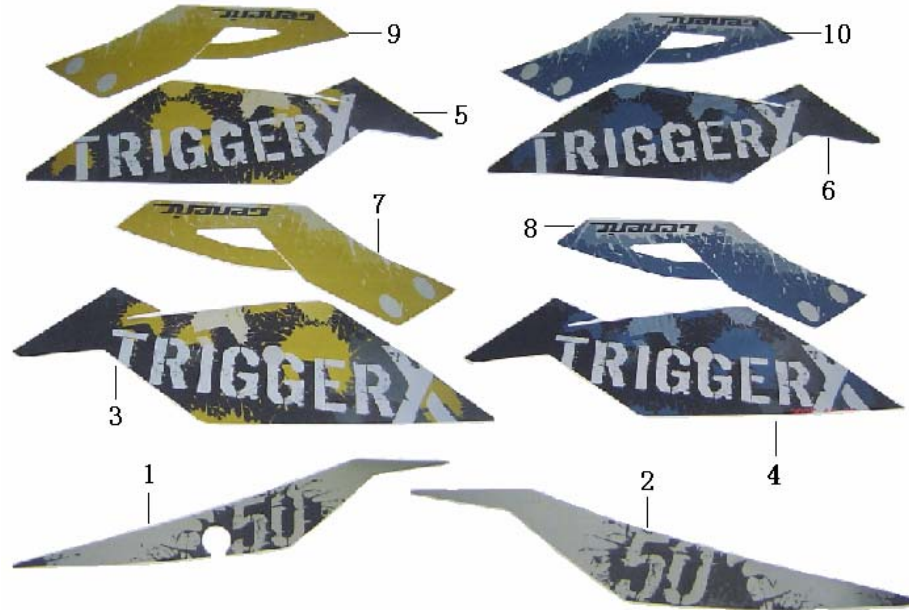
| NO. | PART NO. | DESCRIPTION | QTY | DESIGN CHANGE | DATE | APPLY | REMARK |
|-----|--------------|----------------------------|-----|---------------|------|-------|--------|
| 1 | 92000BP0Y000 | HARNES, WIRING | 1 | | | | |
| 2 | 96900BP0Y000 | WIRE, EARTH | 1 | | | | |
| 3 | 96100BP0Y000 | BATTERY | 1 | | | | |
| 4 | 98801BP0Y000 | RECTIFIER | 1 | | | | |
| 5 | B01090602565 | BOLT M6×25MM | 2 | | | | |
| 6 | 95000BSAT000 | HORN ASSY. | 1 | | | | |
| 7 | B01090601265 | BOLT M6×12MM | 1 | | | | |
| 8 | 96200BP0Y000 | COIL ASSY., IGNITION | 1 | | | | |
| 9 | B01090501665 | BOLT M5×16MM | 2 | | | | |
| 10 | 97701BP0Y000 | C.D.I | 1 | | | | |
| 11 | 96007K00P000 | COVER, C.D.I | 1 | | | | |
| 12 | 96003BP0Y000 | BAND 3×80MM | 2 | | | | |
| 13 | 96400B20T000 | RELAY, TURN SIGNAL | 1 | | | | |
| 14 | 96401B20T000 | COVER, RELAY, TURN SIGNAL | 1 | | | | |
| 15 | 94000BP0Y000 | RELAY, KICK STARTER | 1 | | | | |
| 16 | 94008BP0Y000 | COVER, RELAY, KICK STARTER | 1 | | | | |
| 17 | B07030000603 | WASHER 6MM | 4 | | | | |
| 18 | B07000000603 | WASHER 6MM | 4 | | | | |
| 19 | B04020600013 | NUT M6MM | 2 | | | | |
| 20 | B04000600053 | NUT M6MM | 2 | | | | |



| NO. | PART NO. | DESCRIPTION | QTY | DESIGN CHANGE | DATE | APPLY | REMARK |
|-----|--------------|------------------|-----|---------------|------|-------|--------|
| 21 | 88100BP0Y000 | LOCK ASSY. | 1 | | | | |
| 22 | B02050602065 | SCREW M6×20MM | 2 | | | | |
| 23 | 88801B0DT000 | LOCK ASSY. | 1 | | | | |
| 24 | 88802B0DT000 | FIXTURE | 1 | | | | |
| 25 | 58900BP0Y000 | CABLE ASSY, SEAT | 1 | | | | |
| 26 | 96800BP0Y000 | FUSE COMP. | 1 | | | | |
| 27 | 88000BP0Y000 | LOCK ASSY. | 1 | | | | |



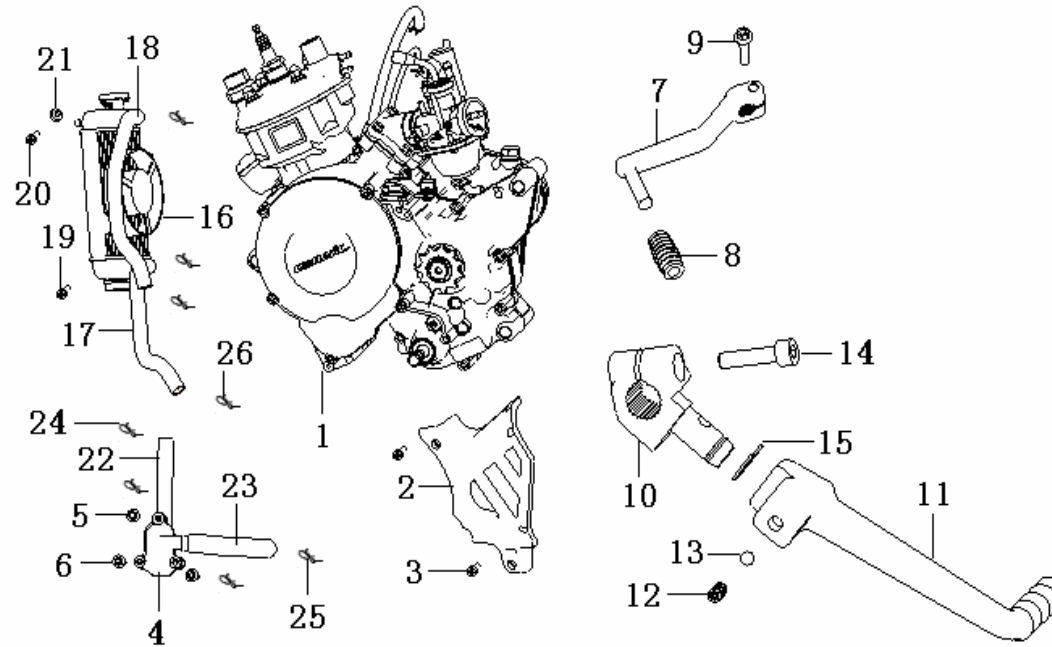
| NO. | PART NO. | DESCRIPTION | QTY | DESIGN CHANGE | DATE | APPLY | REMARK |
|-----|--------------|-----------------------------|-----|---------------|------|-------|--------|
| 1 | 02131BP0Y000 | TOOL KIT | 1 | | | | |
| 2 | 02132BP0Y000 | COVER, TOOL KIT | 1 | | | | |
| 3 | B01090601265 | BOLT M6×12MM | 4 | | | | |
| 4 | 02110BMBT000 | TOOL BAG | 1 | | | | |
| 5 | 02102BM0T000 | SOCKET, SPARK PLUG | 1 | | | | |
| 6 | 02101BM0T000 | SPANNER, SPARK PLUG | 1 | | | | |
| 7 | 02103BM0T000 | SCREW DRIVER, DOUBLE-HEADED | 1 | | | | |
| 8 | 02104BM0T000 | HANDLE | 1 | | | | |
| 9 | 02112BMBT000 | PLIERS | 1 | | | | |
| 10 | B20011001200 | DOUBLE-ENDED SPANNER10-12MM | 1 | | | | |
| 11 | B20011301600 | DOUBLE-ENDED SPANNER13-16MM | 1 | | | | |
| 12 | B20020400000 | HEXAGON RING WRENCH 4MM | 1 | | | | |
| 13 | B20020500000 | HEXAGON RING WRENCH 5MM | 1 | | | | |
| 14 | B20020600000 | HEXAGON RING WRENCH 6MM | 1 | | | | |
| 15 | B20020800000 | HEXAGON RING WRENCH 8MM | 1 | | | | |



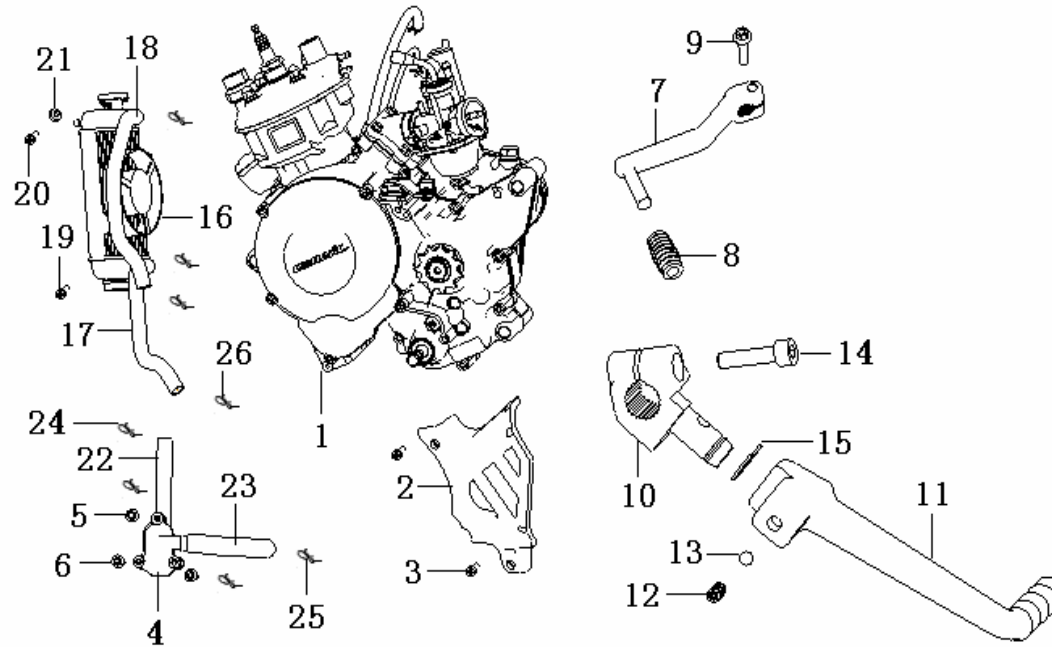
| NO. | PART NO. | DESCRIPTION | QTY | DESIGN CHANGE | DATE | APPLY | REMARK |
|-----|--------------|--------------------------|-----|---------------|------|-------|--------|
| 1 | 05511BP0Y000 | DECAL, FRAME COVER R.R | 1 | | | | |
| 2 | 05512BP0Y000 | DECAL, FRAME COVER R.R | 1 | | | | |
| 3 | 05513BP0Y000 | DECAL, FRAME COVER F.R.D | 1 | | | | |
| 4 | 05513BP0Y001 | DECAL, FRAME COVER F.R.D | 1 | | | | |
| 5 | 05514BP0Y000 | DECAL, FRAME COVER F.L.D | 1 | | | | |
| 6 | 05514BP0Y001 | DECAL, FRAME COVER F.L.D | 1 | | | | |
| 7 | 05515BP0Y000 | DECAL, FRAME COVER F.R.U | 1 | | | | |
| 8 | 05515BP0Y001 | DECAL, FRAME COVER F.R.U | 1 | | | | |
| 9 | 05516BP0Y000 | DECAL, FRAME COVER F.L.U | 1 | | | | |
| 10 | 05516BP0Y001 | DECAL, FRAME COVER F.L.U | 1 | | | | |

F23 ENGINE ATTACHMENT

TRIGGER 50 X



| NO. | PART NO. | DESCRIPTION | QTY | DESIGN CHANGE | DATE | APPLY | REMARK |
|-----|------------------|--------------------------------|-----|---------------|------|-------|--------|
| 1 | 10000B15F000 | ENGIN ASSY | 1 | | | | |
| 2 | 207201.051000 | SIDE COVER, L.R | 1 | | | | |
| 3 | B02050502064 | SCREW M5×20MM | 2 | | | | |
| 4 | 49800BP0Y000 | UNILATERALISM VALVE ASSY | 1 | | | | |
| 5 | B01090603065 | BOLT M6×30MM | 1 | | | | |
| 6 | B01090604065 | BOLT M6×40MM | 2 | | | | |
| 7 | 08383BP0Y000 | ROCKERARM,LEVEL ASSY | 1 | | | | |
| 8 | 08372BP0Y000 | RUBBER, GEAR SHIFT | 1 | | | | |
| 9 | B01090601665 | BOLT M6×16MM | 1 | | | | |
| 10 | 08353BP0Y000 | CONNECTOR,MULTIPLE SPLINE | 1 | | | | |
| 11 | 08351BP0Y000 | LEVER ASSY, KICK STARTER | 1 | | | | |
| 12 | 08354J00P000 | SPRING,LEVEL ASSY KICK STARTER | 1 | | | | |
| 13 | B06010160000 | FRICITION BALI 5.5MM | 1 | | | | |
| 14 | B02050602565 | SCREW M6×25MM | 1 | | | | |
| 15 | B08030000905 | CHECK ROD 9MM | 1 | | | | |
| 16 | QJIE40MB-2.09 | CONDENSER ASSY | 1 | | | | |
| 17 | QJIE40MB-2.09-02 | OUT HOSE | 1 | | | | |
| 18 | QJIE40MB-2.09-01 | INTO HOSE | 1 | | | | |
| 19 | B01090601665 | BOLT M6×16MM | 1 | | | | |
| 20 | B01090601265 | BOLT M6×12MM | 1 | | | | |



| NO. | PART NO. | DESCRIPTION | QTY | DESIGN CHANGE | DATE | APPLY | REMARK |
|-----|---------------|---|-----|---------------|------|-------|--------|
| 21 | B07090000605 | WASHER 6MM | 1 | | | | |
| 22 | B160113B1451 | PIPE $\Phi 13 \times \Phi 18 \times 145\text{mm}$ | 1 | | | | |
| 23 | B16010945001 | PIPE $\Phi 9 \times \Phi 17 \times 500\text{mm}$ | 1 | | | | |
| 24 | 49804BP0Y000 | CLIP 17.5MM | 2 | | | | |
| 25 | 49805BP0Y000 | CLIP 16.5MM | 2 | | | | |
| 26 | 225234.003000 | CLIP 16-25MM | 4 | | | | |