

XOR
125CC



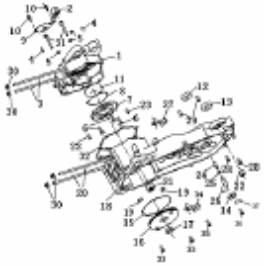
generic

PARTBOOK

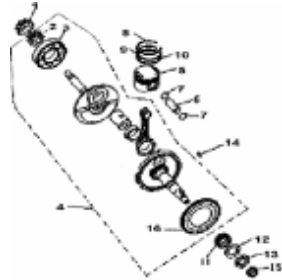
Vers. 2006.02

INDEX - ENGINE 1 Vers. 2006.02

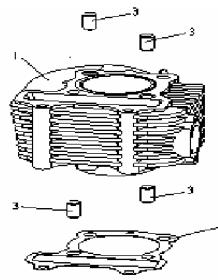
E01 CRANKCASE ASSY



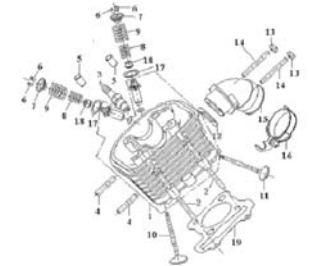
E02 CRANKSHAFT&CONNECTING ROD&PISTON ASSY



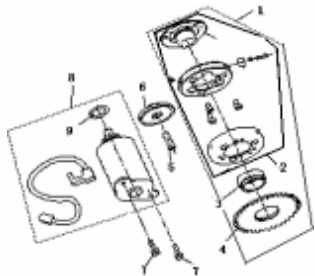
E03 CYLINDER ASSY



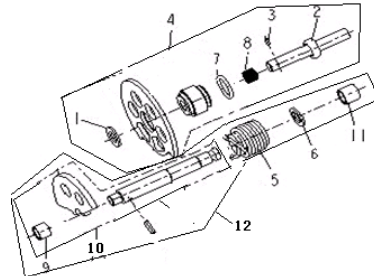
E04 CYLINDER HEAD ASSY



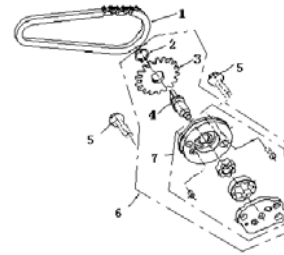
E05 ELECTRIC STARTER ASSY



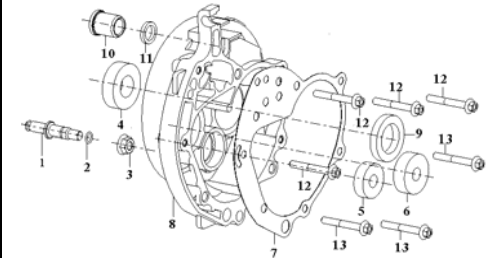
E06 KICK STARTER ASSY



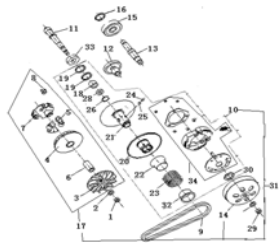
E07 OIL PUMP ASSY



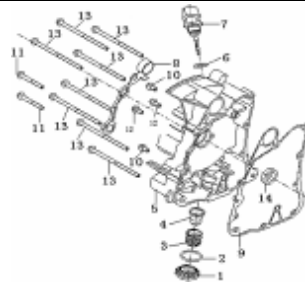
E08 COVER GEAR BOX ASSY



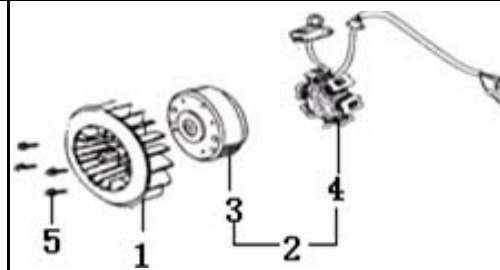
E09 CLUTCH ASSY



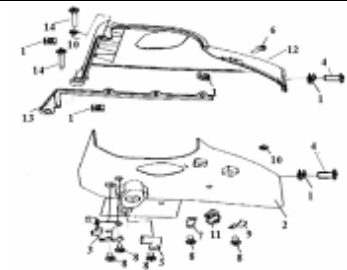
E10 COVERCASE RH ASSY



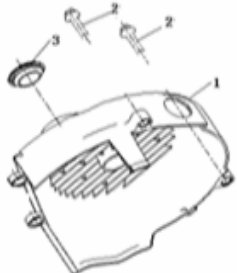
E11 MAGNETO ASSY



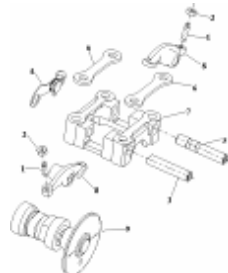
E12 SHROUD ASSY



E13 COVER FAN ASSY



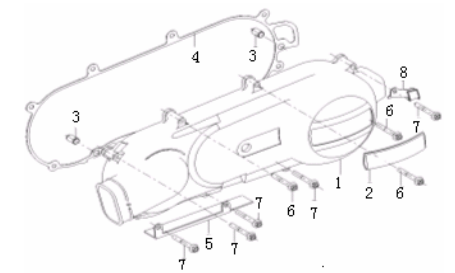
E14 AIR MIX DEVICE



E15 CAM CHAIN & TENSIONER ASSY

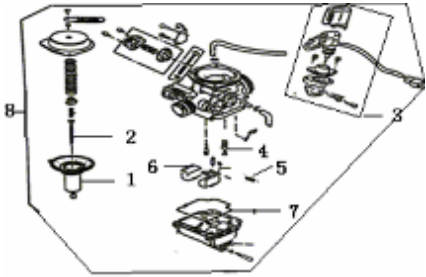


E16 CRANKCASE COVER

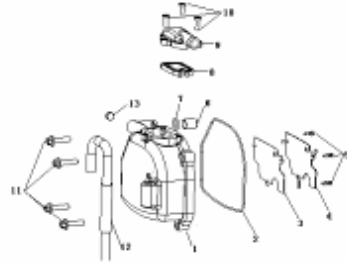


INDEX - ENGINE 2 Vers. 2006.02

E17 CARBURETOR ASSY



E18 COVER, CYLINDER HEAD



--

--

--

--

--

--

--

--

--

--

--

--

--

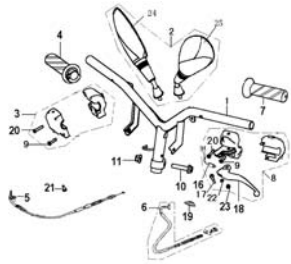
--

--

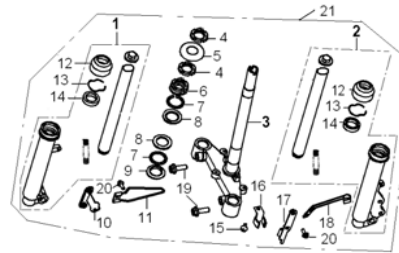
--

INDEX - FRAME 1 Vers. 2006.02

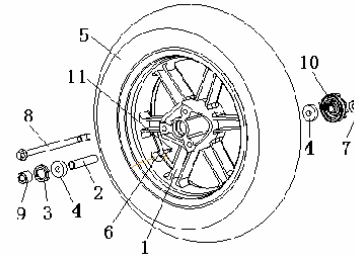
F01 STEERING HANDLE



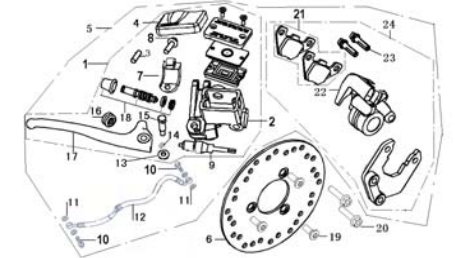
F02 FRONT FORK



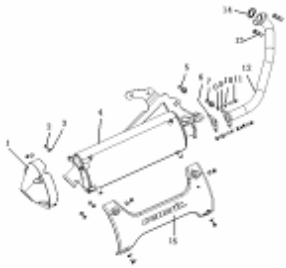
F03 FRONT WHEEL



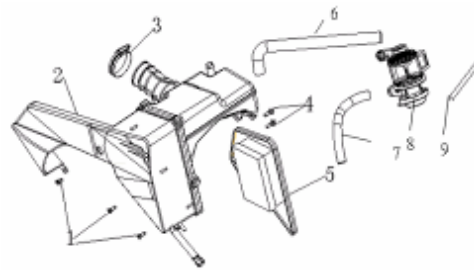
F04 FRONT DISK BRAKE



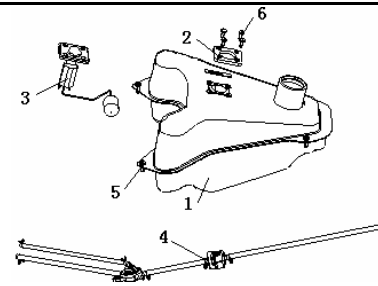
F05 MUFFLER



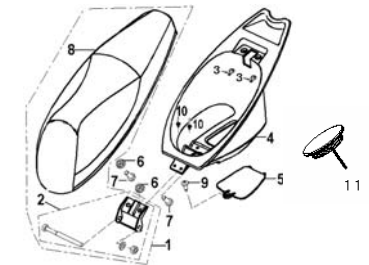
F06 AIR CLEANER



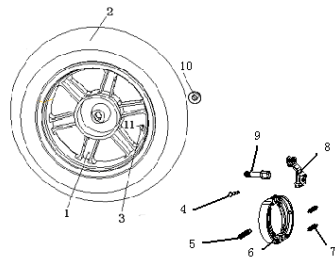
F07 FUEL TANK



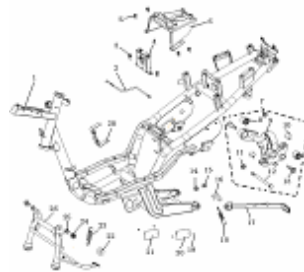
F08 SEAT



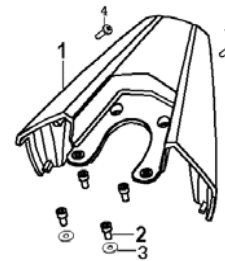
F09 REAR WHEEL



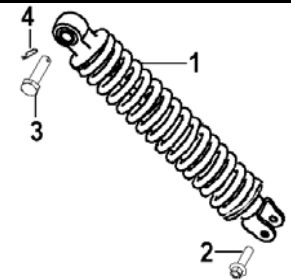
F10 FRAME BODY



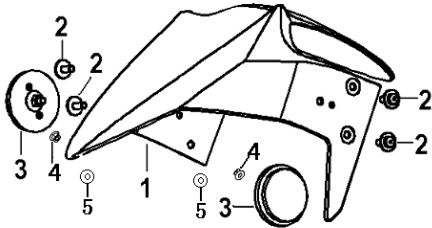
F11 HANDRAIL



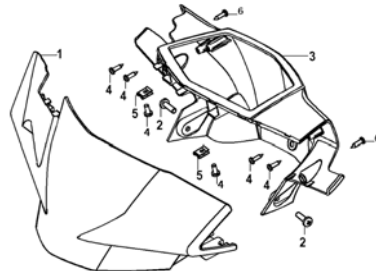
F12 REAR ABSORBER



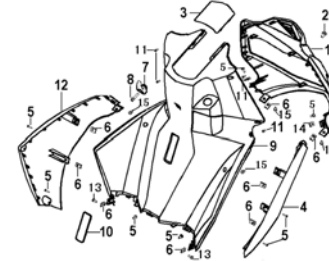
F13 FRONT FENDER



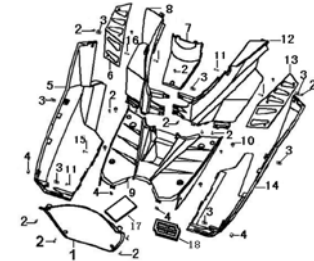
F14 HANDLE COVER



F15 FRONT COVER

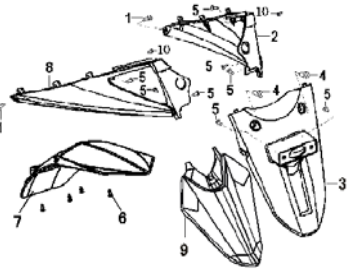


F16 FOOTREST

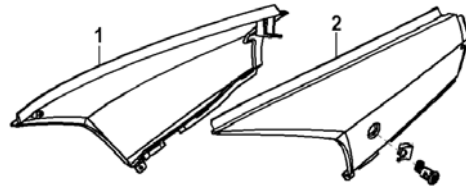


INDEX - FRAME 2 Vers. 2006.02

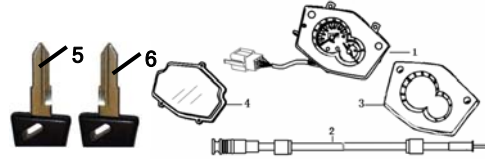
F17 REAR FENDER



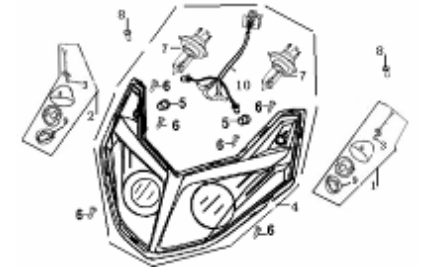
F18 BODY COVER



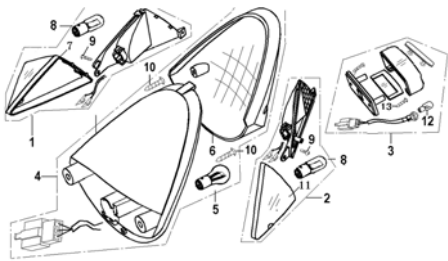
F19 SPEEDOMETER



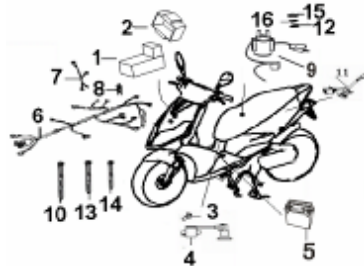
F20 FLASHER LIGHT/HEAD LIGHT



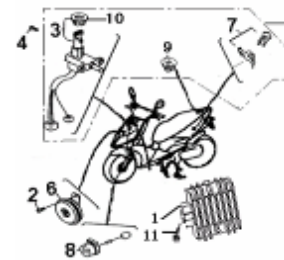
F21 TAIL LIGHT



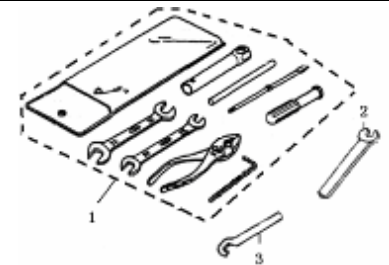
F22 ELECTRICAL EQUIPMENT I



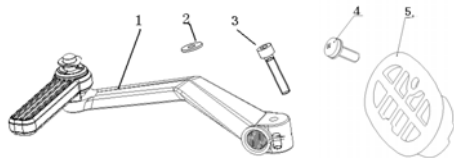
F23 ELECTRICAL EQUIPMENT II



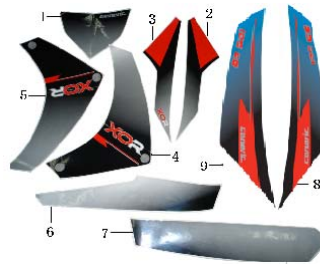
F24 TOOL KIT



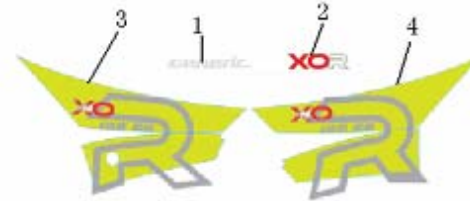
F25 ENGINE ATTACHMENT



F26-1 STICKER SILVER

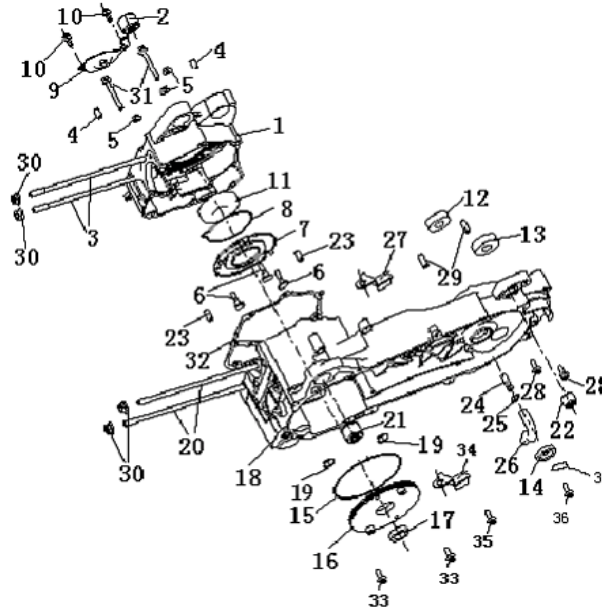


F26-2 STICKER BLUE

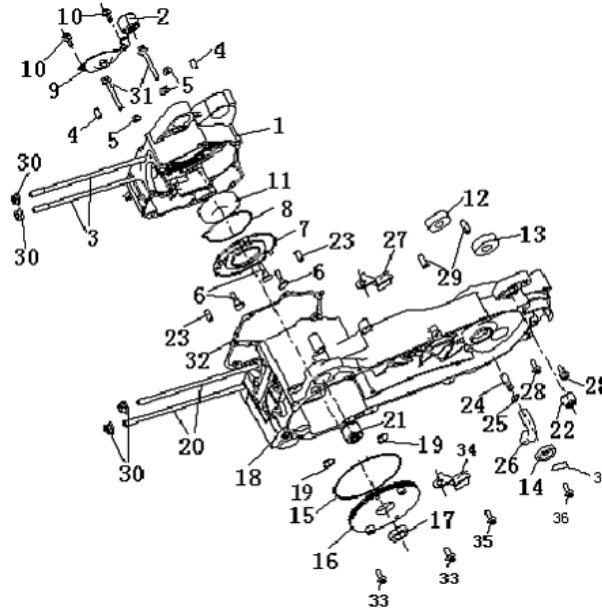


F26-3 STICKER BLACK





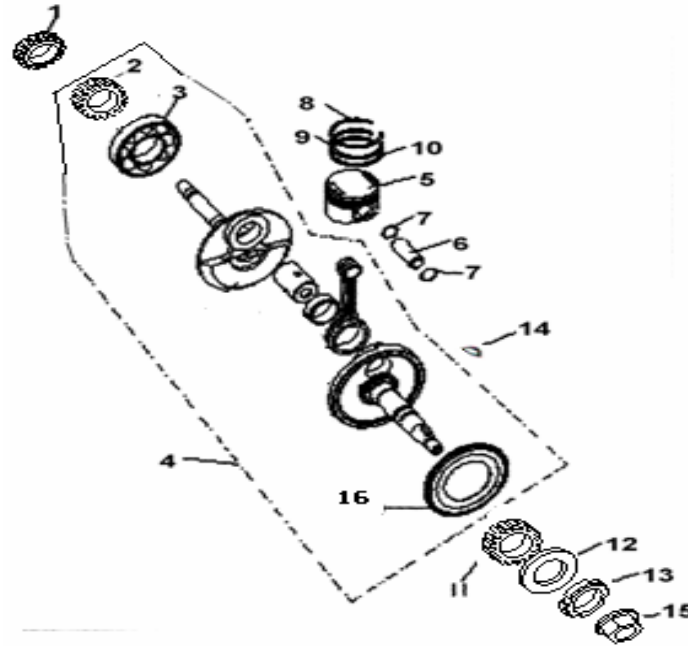
NO.	PART NO.	DESCRIPTION	QTY	DESIGN CHANGE	DATE	APPLY	REMARK
1	26210J05F000	CRANKCASE ASSY RH	1				
2	26501H03F000	BUSH	2				
3	26206J05F910	BOLT M8X200	2				
4	14206J01F000	PIN DOWEL	2				
5	B04170000653	NUT M6	3				
6	26313J05F930	SCREW	3				
7	26314J05F910	PLATE,stainer	1				
8	26209J05F000	O RING	1				
9	26311J05F000	CAP,oil pump	1				
10	B01090601583	BOLT M6X12	2				
11	26217J05F000	ROLLER BEARING	1				
12	B12016620350	ROLLER BEARING 6203	1				
13	B12016620250	ROLLER BEARING 6202	1				
14	26106H03F000	OIL SEAL	1				
15	26102G03F000	O RING	1				
16	26101J05F000	COVER LH,small	1				
17	26130J05F000	OIL SEAL	1				
18	26110J05F000	CRANKCASE ASSY	1				
19	315109019010	O RING 9X1.9	2				
20	26107J05F910	BOLT M8	2				
21	26501H03F000	BUSH	1				
22	26502G02F000	BUSH,ENGINE MOUNTING	1				
23	26128J05F000	PIN DOWEL M8X20	2				



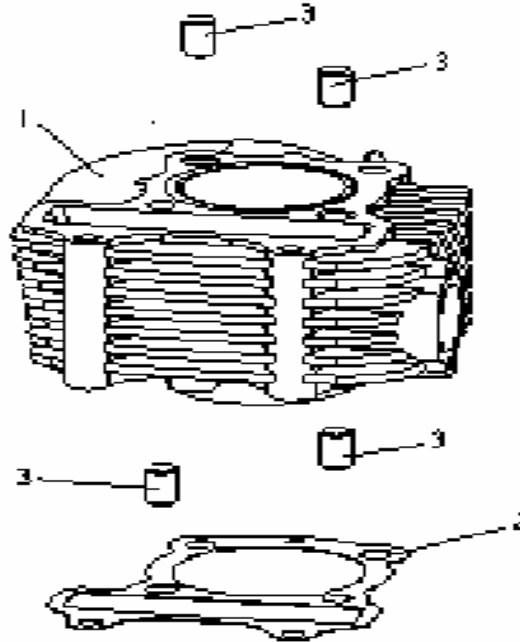
NO.	PART NO.	DESCRIPTION	QTY	DESIGN CHANGE	DATE	APPLY	REMARK
24	26105J05F000	PIPE,breather	1				
25	201227.002371	CLIP	1				
26	206103.001000	HOSE,breather	1				
27	207224.001472	CLIP	1				
28	B01090801583	BOLT M8X15	2				
29	26123G02F000	PIN DOWEL 12X20	2				
30	B04070000853	NUT M8	4				
31	B01090605083	BOLT M6X50	2				
32	206210.001000	GASKET,crankcase	1				
33	301310601865	BOLT M6X18	2				
34	216216.001271	PLATE,stopper	1				
35	B01070601463	BOLT M6X14	1				
36	B01890801563	SCREW M8X15	2				
37	18105H03F000	BOLT	2				

E02 CRANKSHAFT & CONNECTING ROD & PISTON ASSY

GENERIC XOR 125



NO.	PART NO.	DESCRIPTION	QTY	DESIGN CHANGE	DATE	APPLY	REMARK
1	15231J05F000	GEAR,starter driven	1				
2	15232J05F000	SPROCKET,cam chain	1				
3	15210J05F000	ROLLING BEARING	1				
4	15200J05F000	CRANKSHAFT &CONROD ASSY	1				
5	208300.021062	PISTON	1				
6	15105H03F000	PIN,piston	1				
7	208308.004161	CLIP 15	2				
8	15305H03F940	RING,first	1				
9	15304H03F000	RING,second	1				
10	15303H03F000	RING SET,oil	2				
11	15208J05F000	SPROCKET,	1				
12	15209J05F000	WASHER	1				
13	208224.001161	NUT	1				
14	15101J01F000	KEY	1				
15	15206J05F000	NUT,lock	1				
16	15227J05F000	PLATE,oil reverse	1				

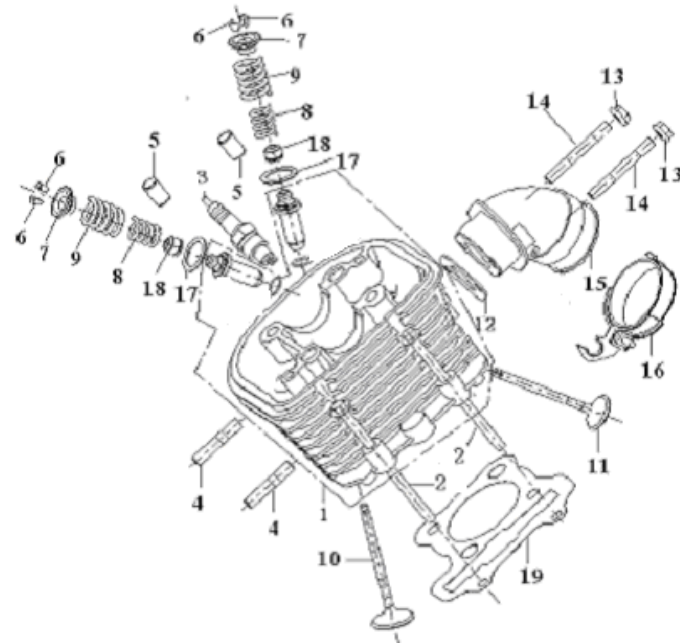


NO.	PART NO.	DESCRIPTION	QTY	DESIGN CHANGE	DATE	APPLY	REMARK
-----	----------	-------------	-----	---------------	------	-------	--------

1	204200.019000	CYLINDER COMP	1				
2	204204.010000	GASKET, CYLINDER	1				
3	14107J05F000	PIN DOWEL	4				

E04 CYLINDER HEAD ASSY

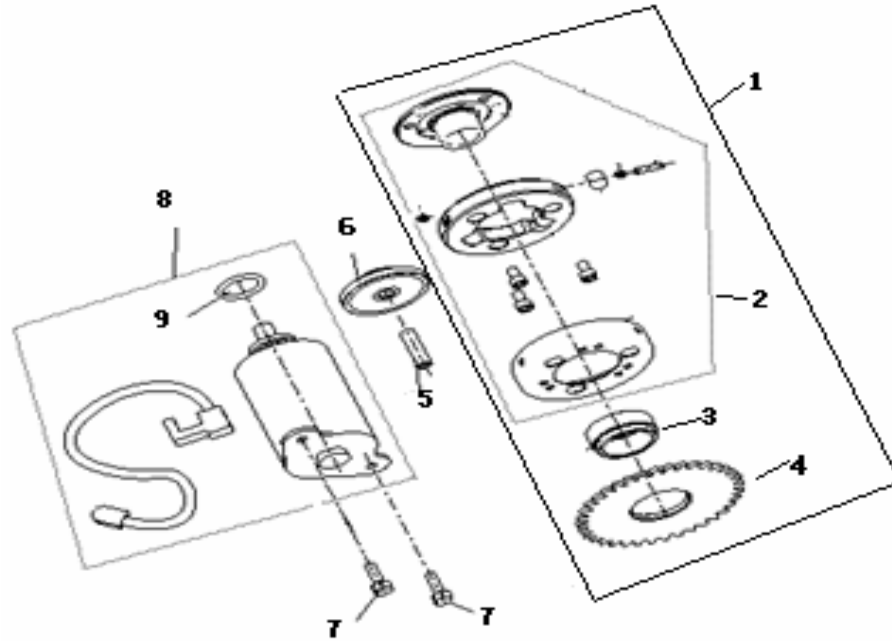
GENERIC XOR 125



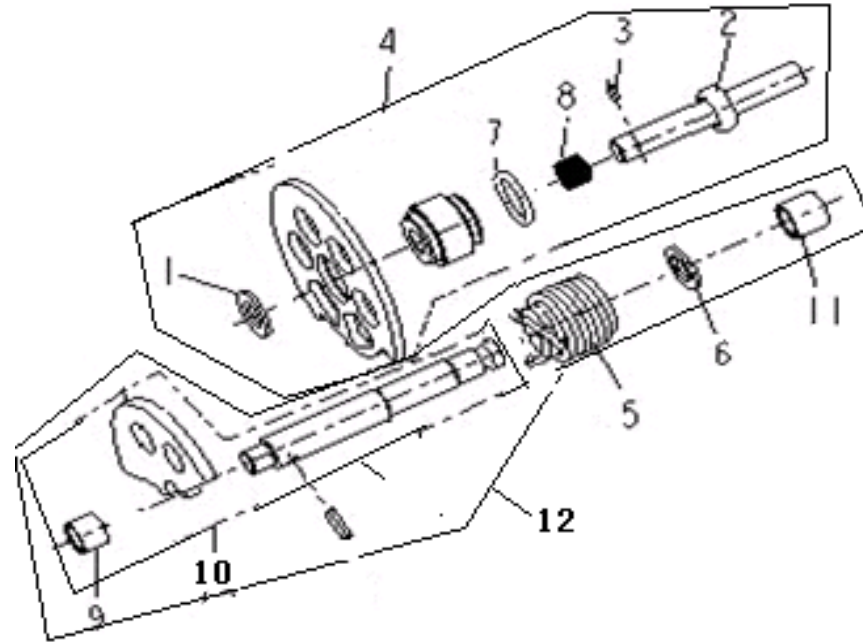
NO.	PART NO.	DESCRIPTION	QTY	DESIGN CHANGE	DATE	APPLY	REMARK
1	201100.072000	CYLINDER HEAD	1				
2	30504H03F000	BOLT M6X100	2				
3	201204.009000	SPARK PLUG CR7HSA	1				
4	201216.002472	STUD BOLT	2				
5	14107J05F000	PIN DOWEL	2				
6	30108J05F000	COTTER, VALVE	4				
7	30106J05F930	UPPER SEAT, VALVE SPRING	2				
8	30102J05F930	SPRING, INNER	2				
9	30101J05F930	SPRING, OUTER	2				
10	30201J05F000	EXHAUST VALVE	1				
11	30103J05F000	INLET VALVE	1				
12	30112J05F000	GASKET, INSULATOR	1				
13	304290600065	NUT	2				
14	201216.006472	STUD BOLT	2				
15	202100.020000	INSULATOR, CARBURETOR	1				
16	202104.002472	CLAMP	1				
17	30105J05F000	SEAT, SPRING	1				
18	30205H03F000	OIL SEAL	2				
19	30503J05F000	GASKET, CYLINDER HEAD	1				

E05 ELECTRIC STARTER ASSY

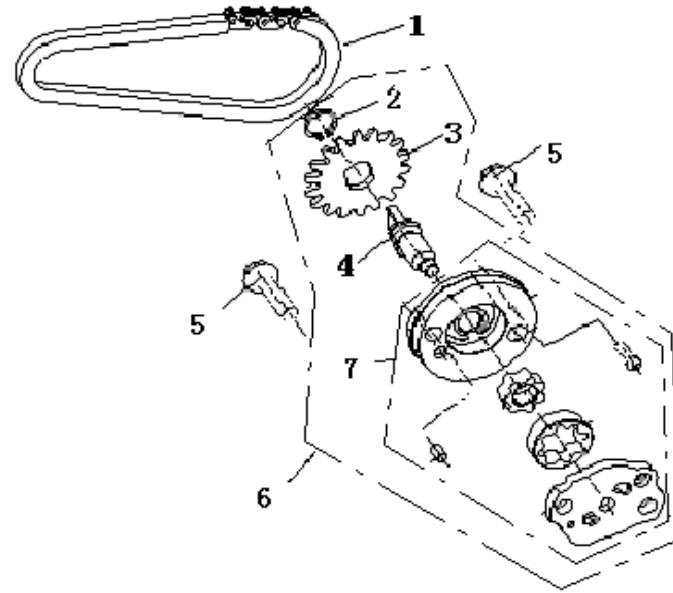
GENERIC XOR 125



NO.	PART NO.	DESCRIPTION	QTY	DESIGN CHANGE	DATE	APPLY	REMARK
1	34400J05F000	CLUTCH SET,STARTER	1				
2	34110J05F000	CLUTCH COMP	1				
3	34124H03F000	BEARING,NEEDLE 28X32X17	1				
4	218100.011371	GEAR COMP,STARTER CLUTCH	1				
5	34146J05F000	SHAFT,SHAFT STARTER IDLE GEAR	1				
6	34141J05F000	GEAR,STARTER IDLE	1				
7	301310601865	BOLT M6X18	2				
8	218100.011472	MOTOR ASSY,STARTING	1				
9	34254J05F000	O-RING 24X3.1	1				



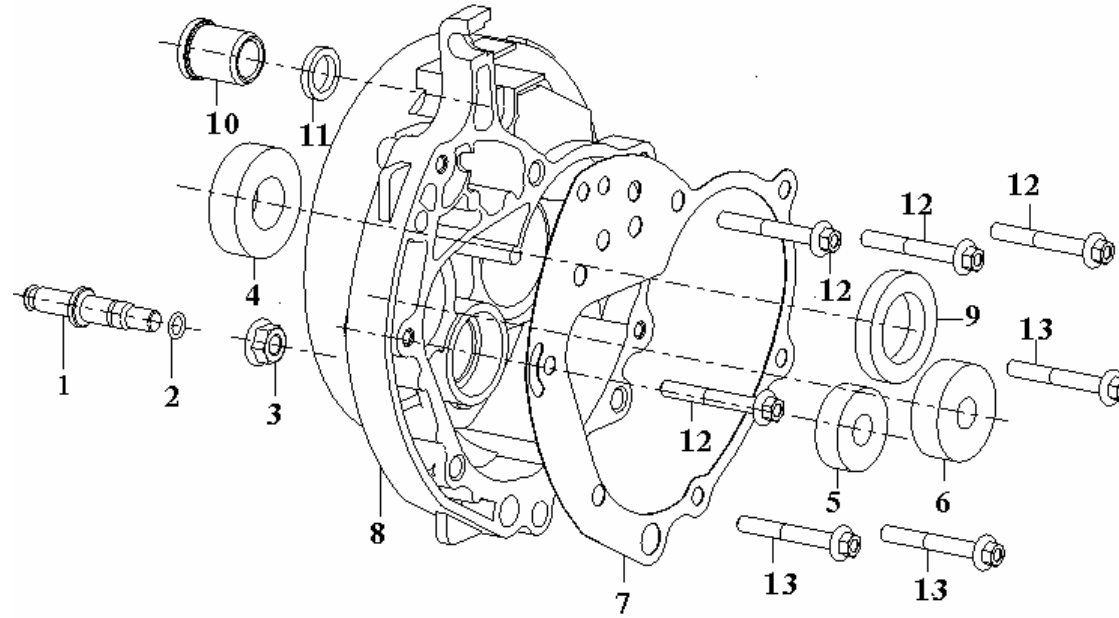
NO.	PART NO.	DESCRIPTION	QTY	DESIGN CHANGE	DATE	APPLY	REMARK
1	17805H03F000	WASHER	1				
2	17811J05F000	GEAR SHAFT	1				
3	B090103008B0	PIN B3X8	1				
4	17806H03F000	GEAR ASSY, STARTER	1				
5	17718J05F930	TWEAK SPRING	1				
6	17402H03F000	PLATE	1				
7	17809H03F000	SPRING	1				
8	17412H03F000	SPRING	1				
9	17433H03F000	BEARING COVER, STARTER I	1				
10	17400J05F000	SHAFT ASSY, STARTER	1				
11	17434H03F000	BEARING COVER, STARTER II	1				
12	216100.101000	KICK STARTER ASSY	1				



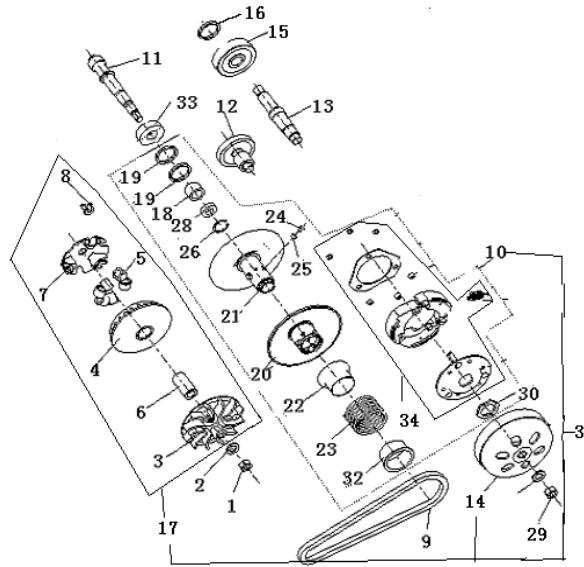
NO.	PART NO.	DESCRIPTION	QTY	DESIGN CHANGE	DATE	APPLY	REMARK
1	19114J05F000	CHAIN OIL PUMP	1				
2	B08010001000	WASHER 10	1				
3	19110J05F000	SPROCKET,oil pump driven	1				
4	19107J05F000	SHAFT,oil pump	1				
5	301310602565	BOLT M6X25	2				
6	19000J05F000	OIL PUMP ASSY	1				
7	219100.029000	OIL PUMP BODY ASSY	1				

E08 COVER GEAR BOX ASSY

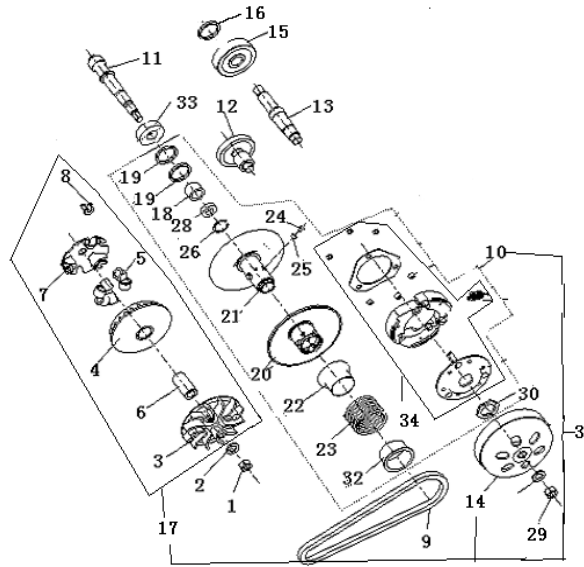
GENERIC XOR 125



NO.	PART NO.	DESCRIPTION	QTY	DESIGN CHANGE	DATE	APPLY	REMARK
1	18114J05F930	PIN	1				
2	18112H03F000	O-RING	1				
3	B04170000853	NUT M8	1				
4	B12016600450	ROLLER BEARING 6004/P6-2RS	1				
5	B12016620150	ROLLER BEARING 6201	1				
6	B12016630150	ROLLER BEARING 6301	1				
7	214201.002000	GASKET, GEAR BOX	1				
8	18101J05F000	COVER, GEAR BOX	1				
9	18102H03F000	OIL SEAL	1				
10	18103J05F000	BUSH	1				
11	18106J05F000	OIL SEAL	1				
12	301310604565	BOLT M6X45	4				
13	B01070605561	BOLT M6X55	3				



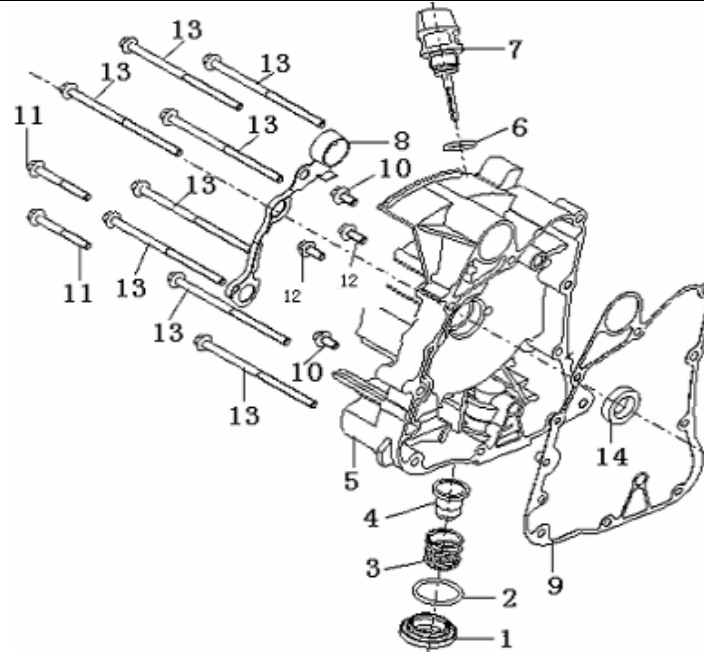
NO.	PART NO.	DESCRIPTION	QTY	DESIGN CHANGE	DATE	APPLY	REMARK
1	15206H03F000	NUT M12X1.5	1				
2	B07010001200	WASHER,SPRING 12	2				
3	24111J05F000	FACE,FIXED DRIVE	1				
4	24101J05F000	FACE COMP,FIXED DRIVE	1				
5	24120J05F000	ROLLER	6				
6	24140J05F000	COLLAR	1				
7	24151J05F930	PLATE,MOVABLE DRIVE	1				
8	24130J05F000	DAMPER	3				
9	24160J05F000	V BELT,DRIVE	1				
10	24210J05F000	DRIVEN PLATE ASSY	1				
11	214300.003000	SHAFT ,DRIVE	1				
12	214103.009000	SHAFT ,IDLE	1				
13	17201J05F000	SHAFT,REAR AXLE	1				
14	24230H03F000	HOUSING,CLUTCH	1				
15	17217J05F000	GEAR	1				
16	B08010002000	CIRCLIP 20	1				
17	24100J05F000	DRIVE ASSY	1				
18	24203J05F000	BEARING	1				
19	24216H03F000	OIL SEAL	2				
20	24211H03F000	FACE,MOVABLE DRIVE	1				
21	24212J05F000	FACE COMP,FIXED DRIVE	1				
22	24213H03F930	SEAT,SPRING	1				
23	24240H03F000	SPRING	1				



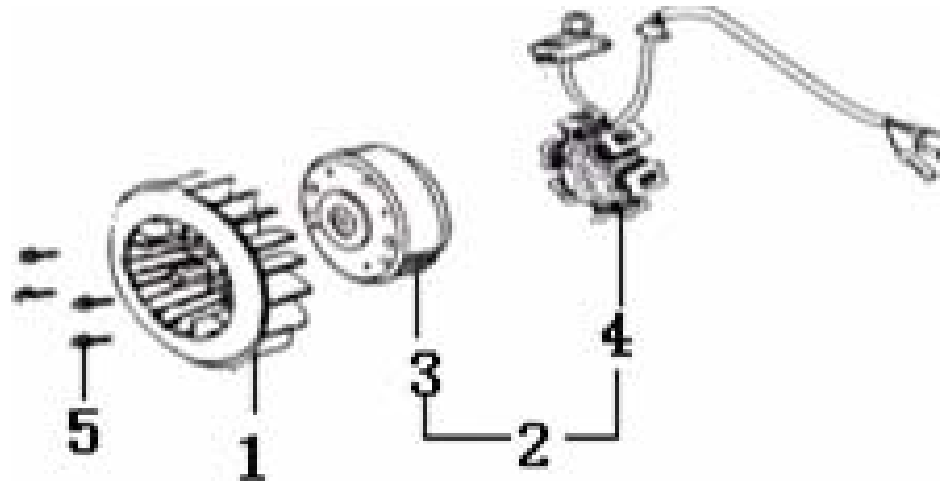
NO.	PART NO.	DESCRIPTION	QTY	DESIGN CHANGE	DATE	APPLY	REMARK
24	24246H03F000	AXLE	3				
25	24217H03F000	BEARING	3				
26	B08000002600	CIRCLIP 26	1				
27	24220H03F000	PLATE ASSY,driven	3				
28	24245H03F000	BEARING NSE NACHI JAPAN	1				
29	18330H03F930	NUT M12X1.25	1				
30	24242H03F000	NUT	1				
31	24001J05F000	SHIFT ASSY	1				
32	24244H03F000	SEAT,SPRING	1				
33	B12016620450	BEARING 6204	1				
34	24220H03F000	PLATE ASSY,DRIVEN	1				

E10 COVERCASE RH ASSY

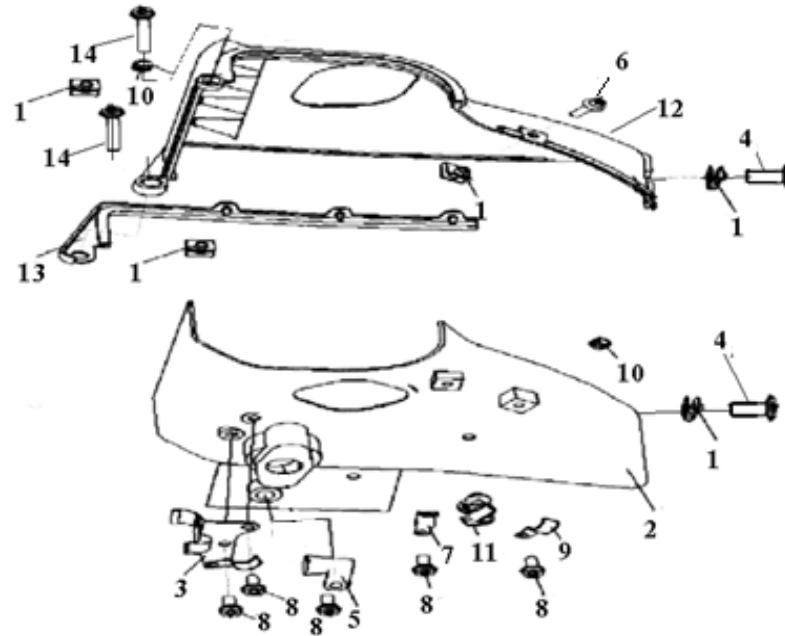
GENERIC XOR 125



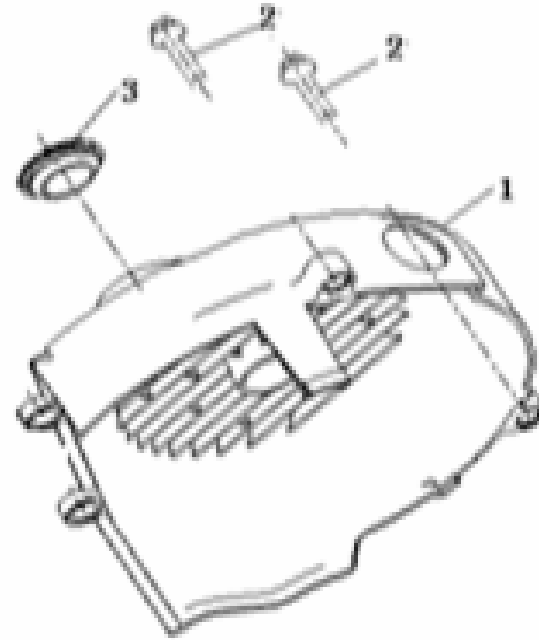
NO.	PART NO.	DESCRIPTION	QTY	DESIGN CHANGE	DATE	APPLY	REMARK
1	26306H03F000	PLUG, DRAIN	1				
2	26307H03F000	O-RING 30.5X3	1				
3	26305H03F000	SPRING, STAINER	1				
4	26308J01F000	STRAINER, OIL	1				
5	14201J05F000	COVER, CRANKCASE RH	1				
6	14215J01F000	O-RING 18X3.5	1				
7	207304.008081	GAUGE, OIL LEVEL	1				
8	14220J05F910	CLIP	1				
9	207303.008000	GASKET, CRANKCASE COVER RH	1				
10	B01090601263	BOLT M6X12	2				
11	B01080501263	BOLT M5X12	2				
12	B01070602063	BOLT M6X20	2				
13	30504H03F000	BOLT M6X100	8				
14	26130J05F000	OIL SEAL	1				



NO.	PART NO.	DESCRIPTION	QTY	DESIGN CHANGE	DATE	APPLY	REMARK
1	20401J05F000	FAN ASSY	1				
2	223100.003000	MAGNETO ASSY	1				
3	34301J05F000	FLY WHEEL ASSY	1				
4	34310J05F000	COIL ASSY	1				
5	B01080601863	BOLT M6X18	4				

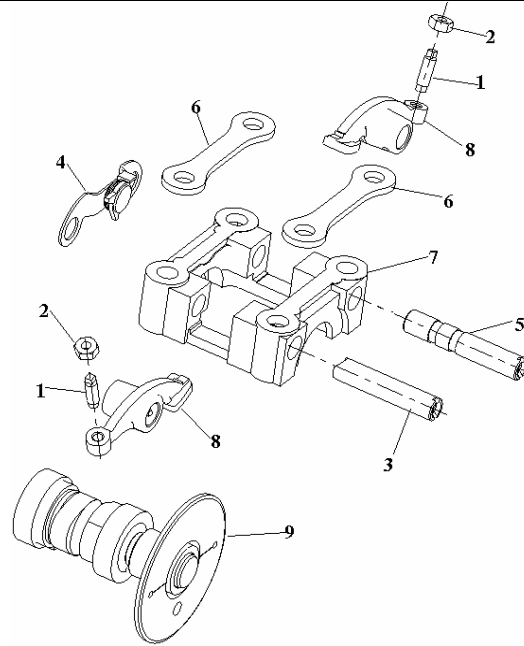


NO.	PART NO.	DESCRIPTION	QTY	DESIGN CHANGE	DATE	APPLY	REMARK
1	20312J05F910	CLIP	4				
2	222101.005000	SHROUD, UPPER	1				
3	20308J05F000	CLIP ASSY	1				
4	301310601665	SCREW M6x16	2				
5	222218.002472	CLIP	1				
6	301310601665	SCREW M6x16	1				
7	222218.003472	CLIP	1				
8	B01090602563	SCREW M6x16	5				
9	222218.004472	CLIP	1				
10	222223.002000	DOWEL	2				
11	20313J05F000	NENON CLIP	1				
12	222102.005000	SHROUD, LOWER	1				
13	20306J05F000	SEAL, LOWER SHROUD	1				
14	301310601665	SCREW M6x16	2				



NO.	PART NO.	DESCRIPTION	QTY	DESIGN CHANGE	DATE	APPLY	REMARK
-----	----------	-------------	-----	---------------	------	-------	--------

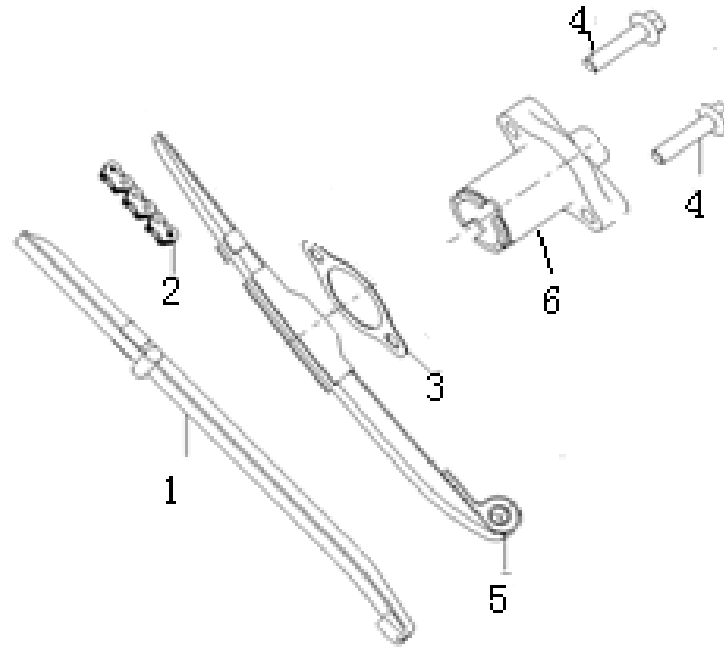
1	20201J05FT10	COVER, FAN	1				
2	B01890602563	SCREW M6X25	2				
3	20204J05F000	CAP,OBSERVE	2				



NO.	PART NO.	DESCRIPTION	QTY	DESIGN CHANGE	DATE	APPLY	REMARK
1	30303H03F000	SCREW, TAPPED ADJUSTING	2				
2	30302H03F930	NUT, TAPPED ADJUSTING	2				
3	203306.013063	SHAFT ,EXHAUST ROCKER ARM	1				
4	30600H03F000	PLATE, STOPPER	1				
5	203102.002063	ARM, INLET ROCKER ARM	1				
6	30310J05F000	GASKET, HOLDER	2				
7	203406.003000	HOLDER, CAM SHAFT	1	OLD No: 30304J05F000			
8	30301J05F000	ARM, ROCKER	2				
9	203103.004000	CAMSHAFT ASSY	1	OLD No: 30420J05F000			

E15 CAM CHAIN & TENSIONER ASSY

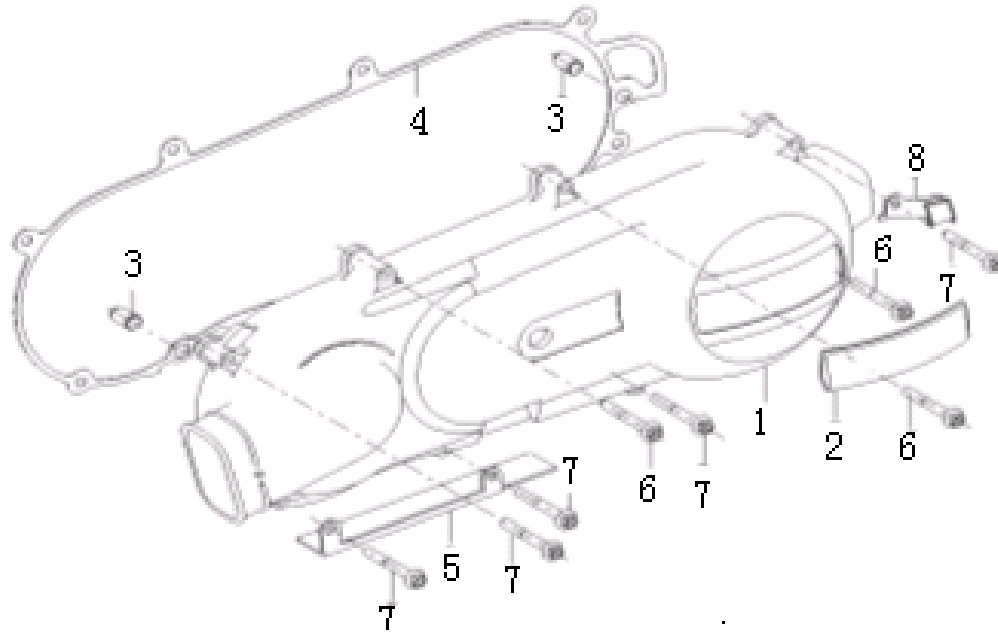
GENERIC XOR 125



NO.	PART NO.	DESCRIPTION	QTY	DESIGN CHANGE	DATE	APPLY	REMARK
1	27421J05F000	GUIDE CAM CHAIN	1				
2	27327J05F000	CAM CHAIN	1				
3	205300.002000	GASKET, TENSIONER	1				
4	B01070602563	SCREW M6X25	2				
5	27200J05F000	GUIDE ASSY	1				
6	27300J05F000	TENSIONER COMP	1				

E16 CRANKCASE COVER

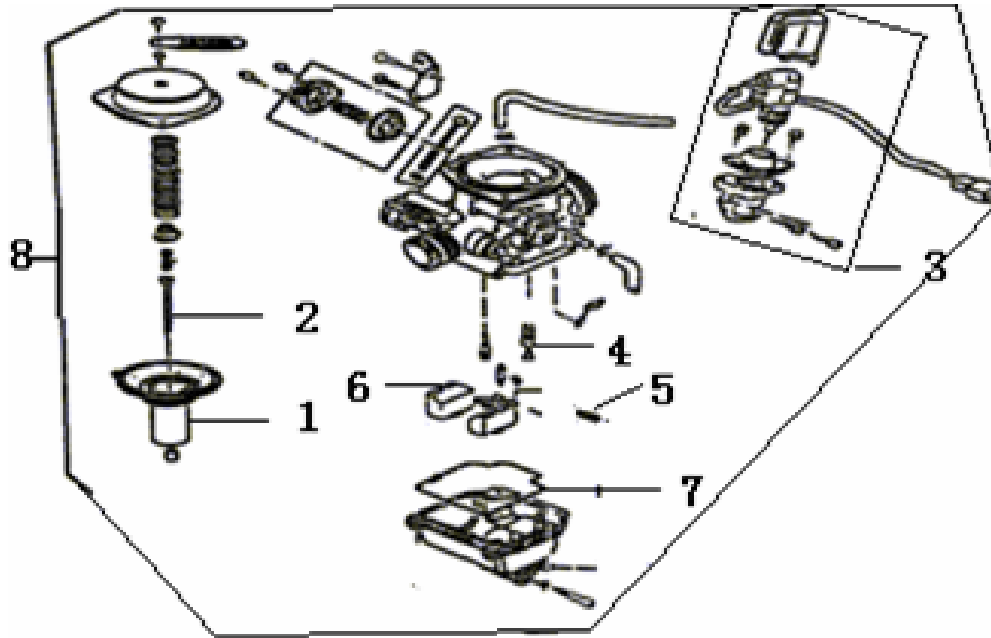
GENERIC XOR 125



NO.	PART NO.	DESCRIPTION	QTY	DESIGN CHANGE	DATE	APPLY	REMARK
1	207200.087000	COVER, CLUTCH	1				
2	207236.025000	SIGN CARDS	1				
3	14107J05F000	PIN DOWEL	2				
4	207208.007000	GASKET, CRANKCASE LH	1				
5	207225.004472	PLATE, PROTECTOR	1				
6	301310604565	BOLT M6X45	3				
7	301310603565	BOLT M6X35	5				
8	222218.003472	CLIP	1				

E17 CARBURETOR ASSY

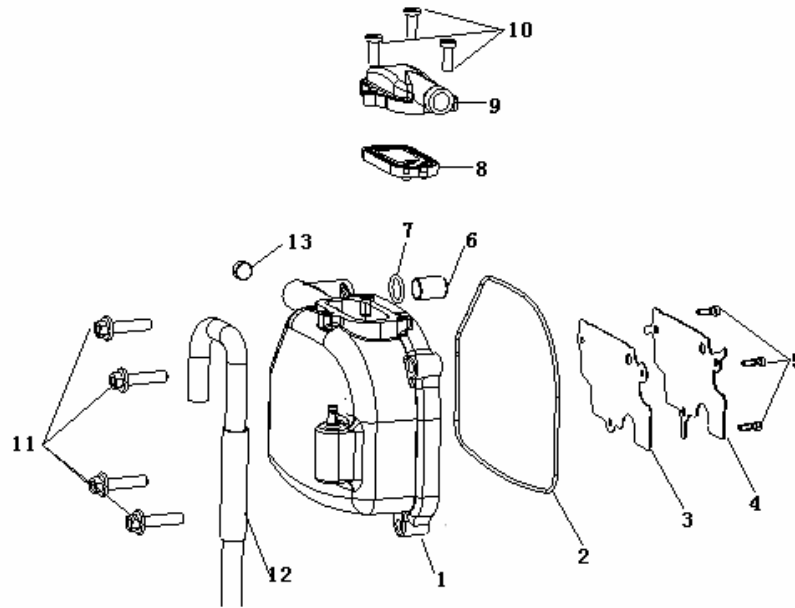
GENERIC XOR 125



NO.	PART NO.	DESCRIPTION	QTY	DESIGN CHANGE	DATE	APPLY	REMARK
1	32506H03F000	VALVE, PISTON	1				
2	224208.030000	NEEDLE, JET	1				
3	32612H03F000	ENRICH VALVE	1	OLD No:32608H03F000			
4	224202.017000	JET, MAIN	1				
5	32621H03F000	PIN, FLOAT	1				
6	32624H03F000	FLOAT	1				
7	32701H03F000	GASKET, FLOAT CHAMBER	1				
8	224100.073000	CARBURETOR ASSY	1				

E18 COVER, CYLINDER HEAD

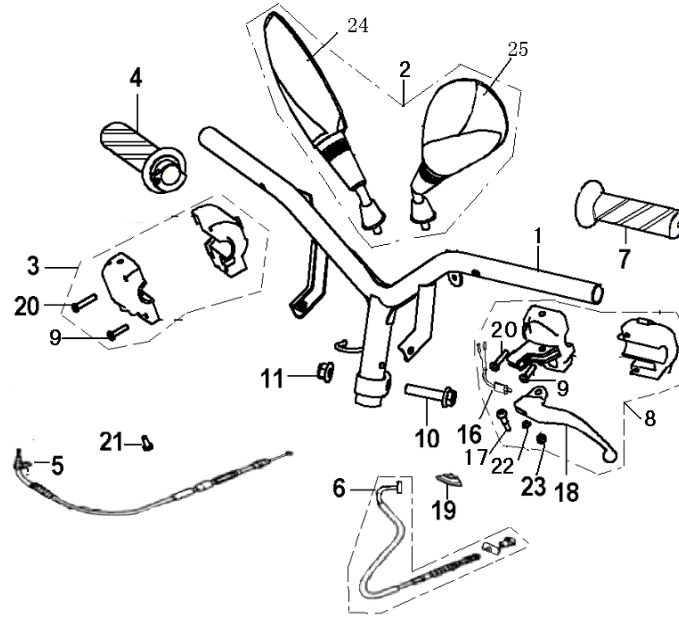
GENERIC XOR 125



NO.	PART NO.	DESCRIPTION	QTY	DESIGN CHANGE	DATE	APPLY	REMARK
1	201300.046000	COVER, CYLINDER HEAD	1	OLD No: 201300.033000			
2	201329.021000	MOLD,COWLING	1				
3	201332.012000	GASKET	1				
4	201217.003000	HOLDER	1				
5	302210301062	SCREW M3X10	3				
6	26123G02F000	PIN DOWEL 12X16	1				
7	315112020062	O-RING 12X2	1				
8	229108.001000	REED VALVE ASSY	1				
9	201302.006000	COVER, ONE WAY VALVE	1	OLD No: 202600.002000			
10	302270501462	SCREW M5X14	3				
11	301310602562	BOLT M6X25	4				
12	201110.004000	HOSE, BREATHER	1				
13	201223.010000	STOPPER	1				

F01-1 STEERING HANDLE

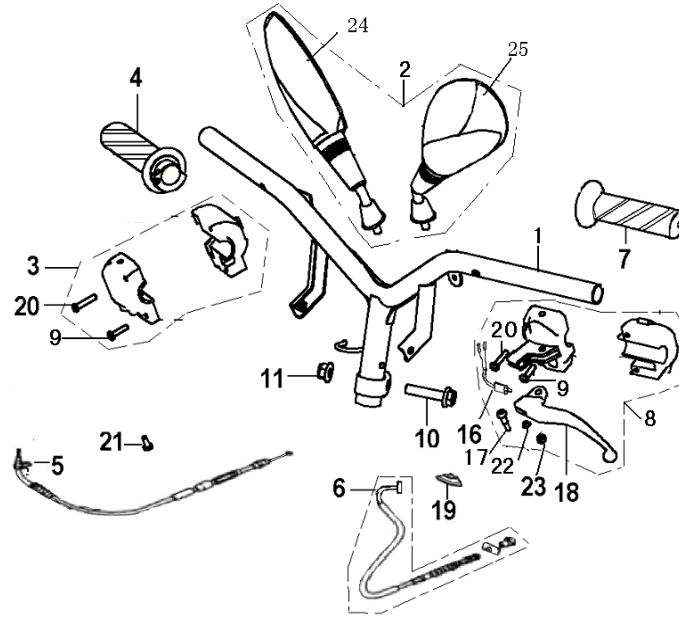
GENERIC XOR 125



NO.	PART NO.	DESCRIPTION	QTY	DESIGN CHANGE	DATE	APPLY	REMARK
1	40100BN0T000	STEERING HANDLE COMP	1				
2	40450BMBTB42	BACK MIRROR ASSY.	1				
3	40600BN0T000	HANDLE SWITCH ASSY., RH	1				
4	40210BMBT000	GRIP ,THROTTLE	1				
5	40300J5BT000	CABLE ASSY,THROTTLE	1				
6	40270J5BT000	CABLE ASSY,REAR BRAKE	1				
7	40001BMBT000	GRIP,LEFT HANDLE	1				
8	40500BN0T000	SWITCH ASSY, LEFT HANDLE	1				
9	B02000502025	PAN HEAD SCREW 5X20	2				
10	B01091004565	FLANGE BOLT 10X1.25X45	1				
11	B04171012565	NUT 10X1.25	1				
12	40610BN0T000	SWITCH COMP., R. HANDLE	1				
13	40620BM0T000	SWITCH HOLDER, R. HANDLE	1				
14	40510BN0T000	SWITCH COMP., L. HANDLE	1				
15	40520BM0T000	SWITCH HOLDER, L. HANDLE (6MM)	1				
15	40520BM0T001	SWITCH HOLDER, L. HANDLE (7MM)	1	NEW WITH BALL			
16	91600BMAT000	STOP SWITCH, L. HANDLE	1				
17	40004BMAT000	LEVER MOUNTING SCREW M5	1				
18	40002BMBT000	BRAKE LEVER, L. HANDLE (6MM)	1				
18	40002BMBT001	BRAKE LEVER, L. HANDLE (7MM)	1	NEW WITH BALL			
19	40008BM0T000	JACKET, RR. BRAKE CABLE	1				
20	B02000502525	PAN HEAD SCREW 5X25	2				
21	B02000501025	PAN HEAD SCREW 5X10	1				

F01-2 STEERING HANDLE

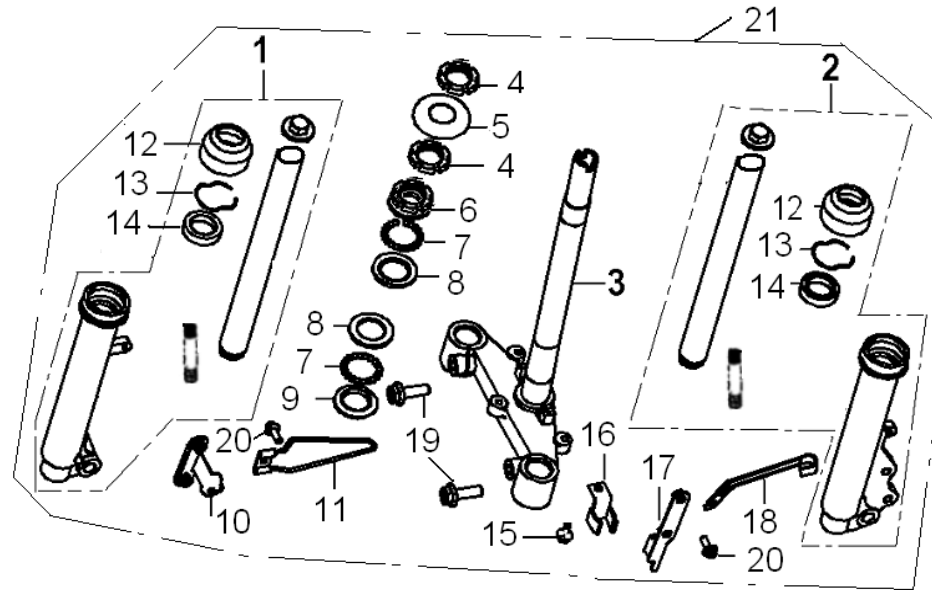
GENERIC XOR 125



NO.	PART NO.	DESCRIPTION	QTY	DESIGN CHANGE	DATE	APPLY	REMARK
22	B0700000505	WASHER 5	1				
23	B04000500055	NUT M5	1				
24	40470BMBTB42	BACK MIRROR, RH.	1				
25	40460BMBTB42	BACK MIRROR, LH.	1				

F02 FRONT FORK

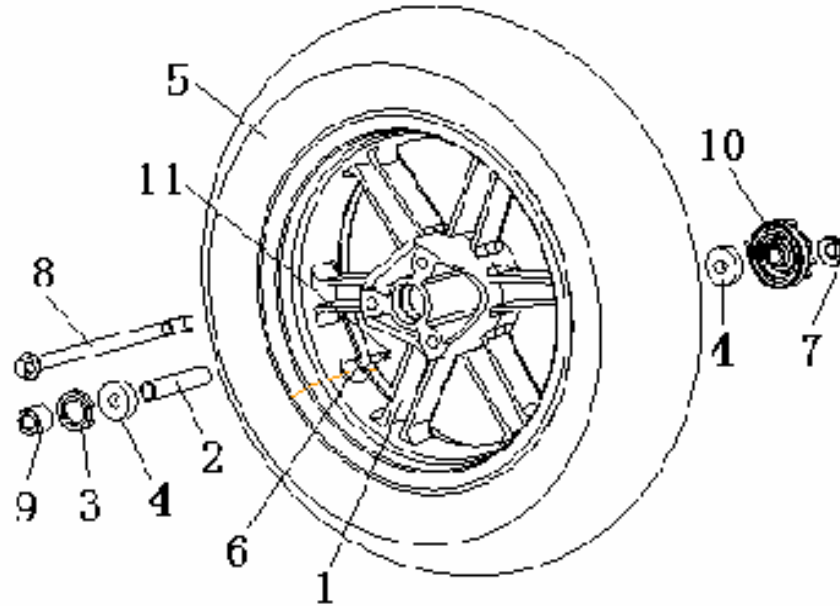
GENERIC XOR 125



NO.	PART NO.	DESCRIPTION	QTY	DESIGN CHANGE	DATE	APPLY	REMARK
1	43300J4GT000	FR. R.CUSHION ASSY.	1				
2	43200J4GT000	FR. L. CUSHION ASSY.	1				
3	43100BMBT003	STEM, STEERING	1				
4	43008BMAT000	NUT II	2				
5	43005BMBT001	BALL RACE COVER	1				
6	43001BMBT002	BALL RACE, CONNECTING	1				
7	B06010150000	STEEL BALL 5	1 SET	1 SET = 42 PIECES			
8	43003BMBT000	BALL RACE, 2	2				
9	43004BMBT000	BALL RACE, 4	1				
10	65140BMBT000	R. BRACKET, FR.FENDER	1				
11	43150BMAT000	CLIP, SPEEDOMETER CABLE	1				
12	43290K00P000	DUST SEAL	2				
13	43207K00P000	CLIP	2				
14	43260K00P000	OIL SEAL	2				
15	B01090601265	BOLT M6 x 12	1				
16	43035BMBT000	HOLDER, BRAKE HOSE 2	1				
17	65130BN0T000	L. BRACKET, FR.FENDER	1				
18	43021BM0T003	HOLDER, BRAKE HOSE 1	1				
19	B01091003065	FLANGE BOLT 10X1.25X30	2				
20	B01070601665	BOLT 6X16	2				
21	43000J5BT000	FRONT FORK ASSY.	1				

F03 FRONT WHEEL

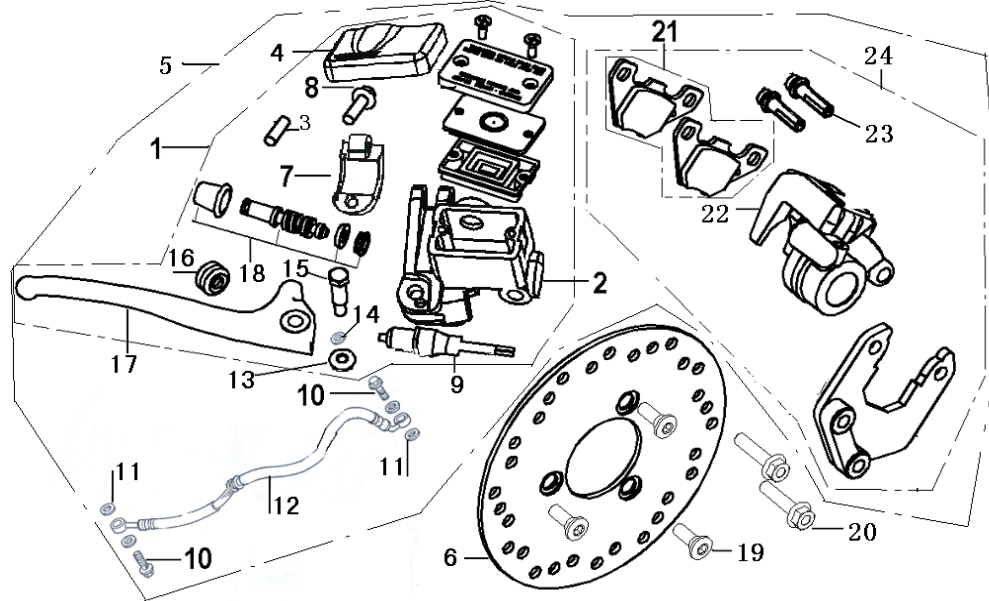
GENERIC XOR 125



NO.	PART NO.	DESCRIPTION	QTY	DESIGN CHANGE	DATE	APPLY	REMARK
1	44100BM0T00A	RIM COMP., FRONT WHEEL	1				
2	44600BM0T910	COLLAR, FRONT WHEEL	1				
3	44300BM0T000	OIL SEAL 22X35X7, R.	1				
4	B12016020100	BALL BEARING 6201-2RS	2				
5	B140107D12AB	TUBELESS TIRE 120/70-12(E MARK)	1				
6	B1403Z201100	VALVE	1				
7	B04171212563	FLANGE U NUT 12X1.25	1				
8	44004G4CT000	AXLE , FR. WHEEL M12X1.25X224	1				
9	44005BM0T000	L. COLLAR, FRONT WHEEL	1				
10	44200J5BT000	GEAR ASSY, SPEEDOMETER	1				
11	B1404Z2011C0	CAP, VALVE	1				

F04-1 FRONT DISK BRAKE

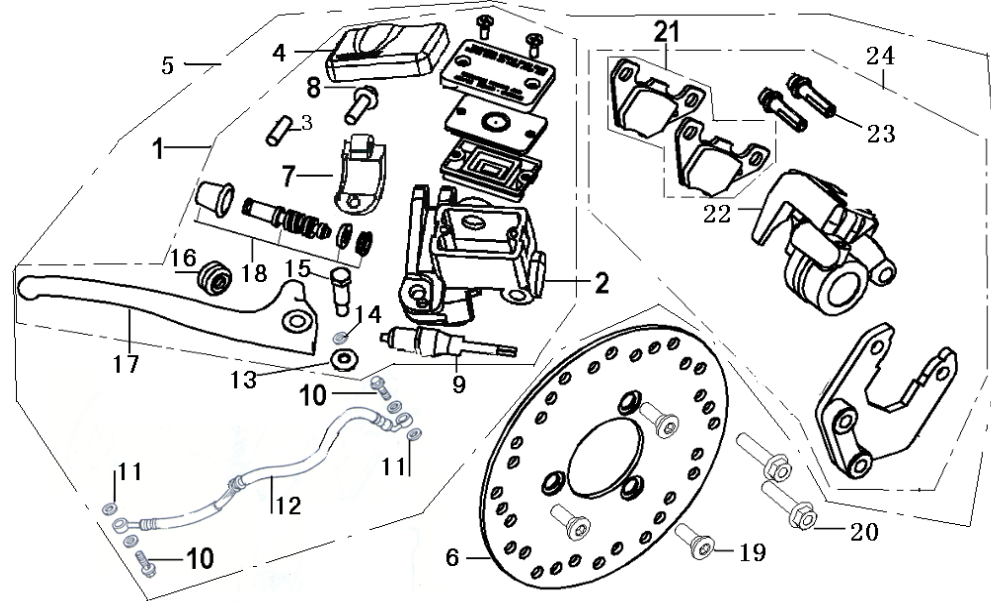
GENERIC XOR 125



NO.	PART NO.	DESCRIPTION	QTY	DESIGN CHANGE	DATE	APPLY	REMARK
1	45400BN0TB30	MASTER CYLINDER ASSY.	1				
2	45009BN0T000	MASTER CYLINDER BODY	1				
3	B090105022A5	COLUMN PIN 5X22	1				
4	45079BN0T000	COVER,CYLINDER	1				
5	45000BN0TRN0	DISC BRAKE ASSY., FR	1				
6	45033BM0T001	BRAKE DISC	1				
7	45023BN0T000	BRACKET, MASTER CYLINDER	1				
8	B01070602365	BOLT M6X23	1				
9	45300J3AT000	STOP SWITCH, FRONT DISK BRAKE	1				
10	45037J00P000	UNION BOLT	2				
11	45029J00P000	PLATE WASHER	4				
12	45200BMBT000	FR. BRAKE HOSE	1				
13	B04160600055	NUT M6	1				
14	B07000000605	SPRING WASHER 6	1				
15	40024J1CT000	BOLT M6, R. BRAKE LEVER	1				
16	45057G0KP000	TENSION SPRING ,LEVER	1				
17	45022BMBT001	LEVER, FR. DISC BRAKE (6MM)	1				
17	45022BMBT002	LEVER, FR. DISC BRAKE (7MM)	1	NEW WITH BALL			
18	45140J00P000	PISTON ASSY, MASTER CYLINDER	1				
19	45036JJ0T000	BOLT	3				
20	45039J4FT000	BOLT M8X36	2				
21	45110J4FT000	BRAKE PAD SET	1 SET	1 SET = 2 PIECES			
22	45001J4FTRN0	CALIPER BODY(REDF)	1				

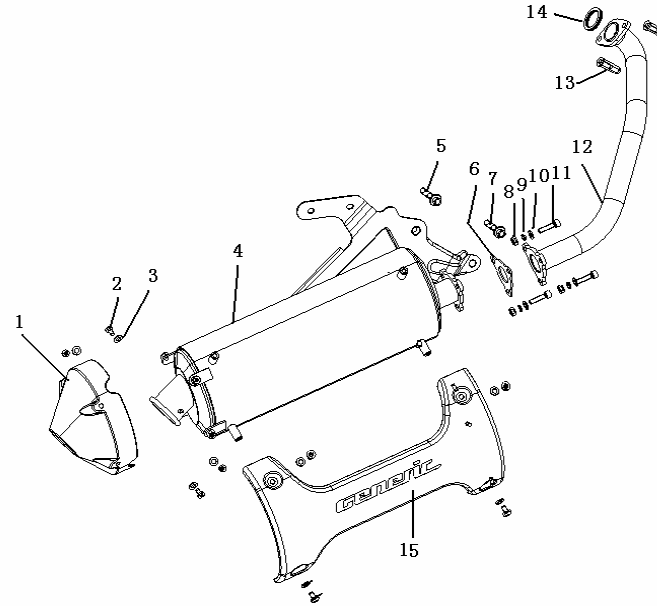
F04-2 FRONT DISK BRAKE

GENERIC XOR 125



NO.	PART NO.	DESCRIPTION	QTY	DESIGN CHANGE	DATE	APPLY	REMARK
-----	----------	-------------	-----	---------------	------	-------	--------

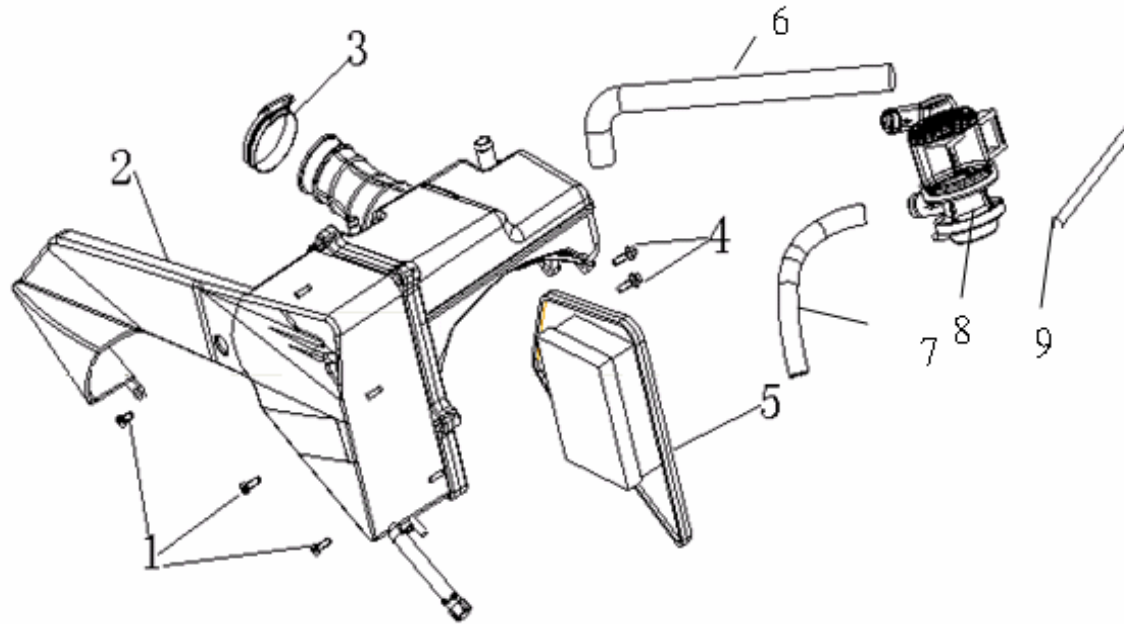
23	45053G0CP000	GUIDE POLE	2				
24	45500J4FTRN0	CALIPER ASSY.	1				



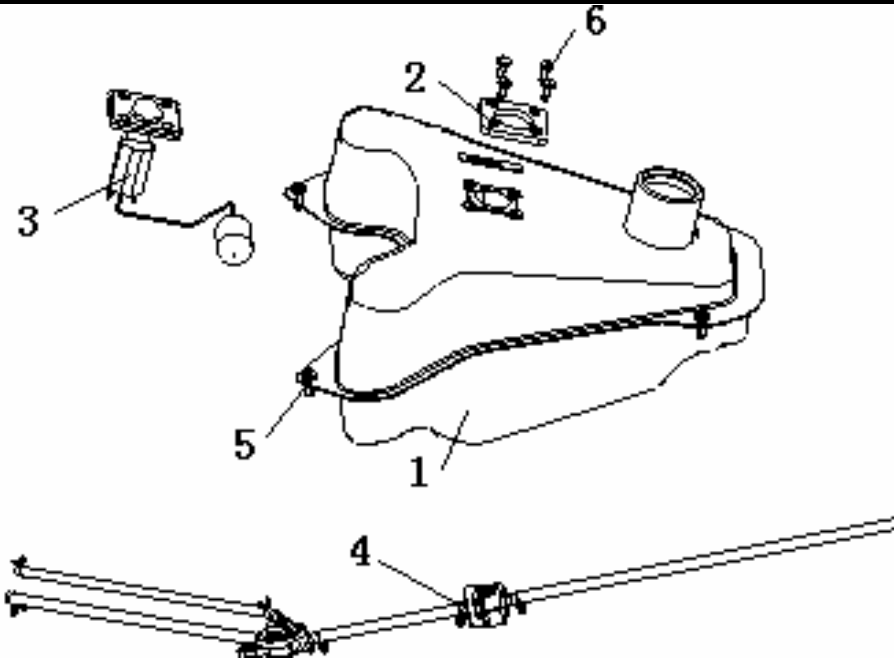
NO.	PART NO.	DESCRIPTION	QTY	DESIGN CHANGE	DATE	APPLY	REMARK
1	47765BMNT000	TRAIL COVER	1				
2	B02000601024	SCREW 6X10	8				
3	B07030000600	WASHER 6	8				
4	47100J5BT000	MUFFLER COMP.	1				
5	B01070803565	BOLT, FLANGE 8X35	1				
6	47740BMBT000	GASKET, MUFFLER	1				
7	B01070804565	BOLT, FLANGE 8X45	1				
8	B04000600060	NUT 6	3				
9	B07000000600	SPRING WASHER 6	3				
10	B07030000600	WASHER 6	3				
11	B02050602560	SCREW 6X25	3				
12	47500J5BT000	EXHAUST PIPE	1				
13	47006J0ET000	NUT	2				
14	47800J4AT000	GASKET, EXHAUST PIPE	1				
15	47761BMNT000	PROTECTOR A, MUFFLER	1				

F06 AIR CLEANER

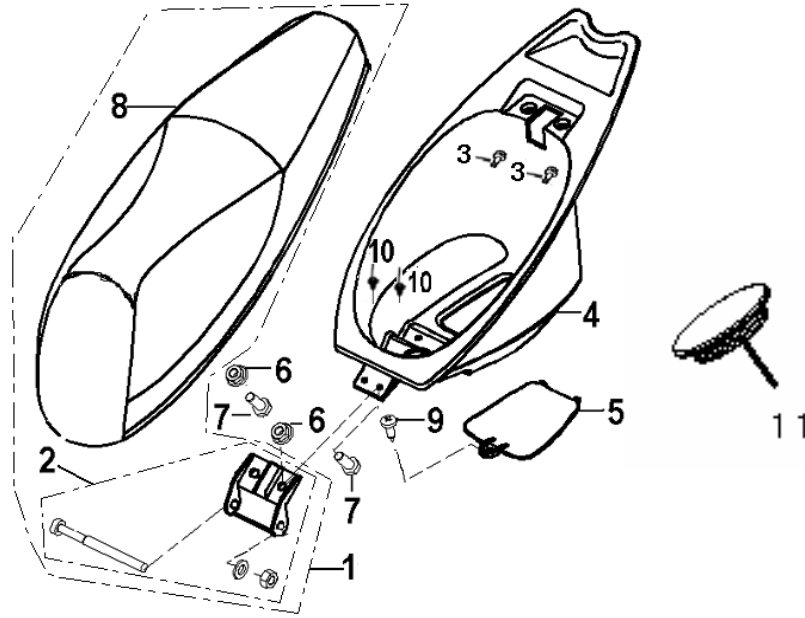
GENERIC XOR 125



NO.	PART NO.	DESCRIPTION	QTY	DESIGN CHANGE	DATE	APPLY	REMARK
1	B01070501465	BOLT 5X14	3				
2	49000J5BT000	AIR CLEANER ASSY.	1				
3	49350J3FT000	CALIPERS ASSY.	1				
4	B01090601665	BOLT 6X16	2				
5	49200J5BT000	ELEMENT, AIR CLEANER	1				
6	49801J5BT000	TUBE 13X2.5	1				
7	49802J5BT000	TUBE 13X2.5	1				
8	49800J5BT000	VALVE ASSY.	1				
9	49803J5BT000	TUBE 3.5X2	1				



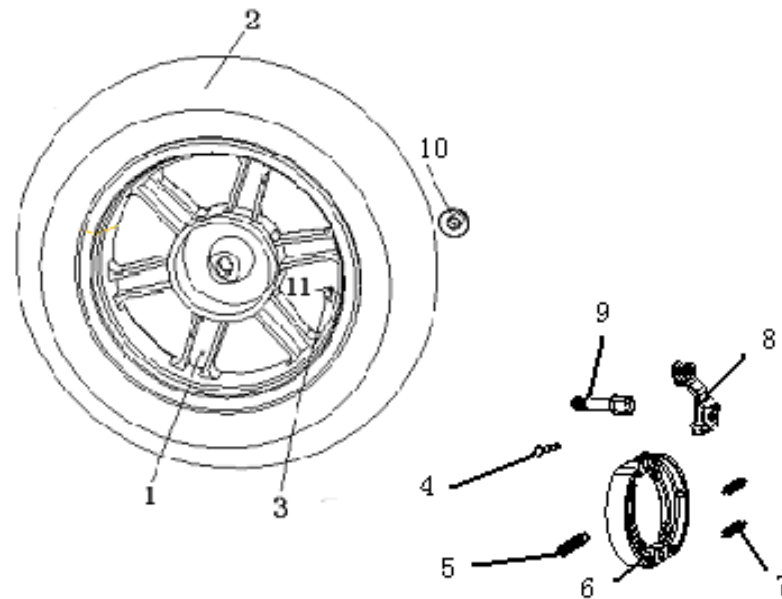
NO.	PART NO.	DESCRIPTION	QTY	DESIGN CHANGE	DATE	APPLY	REMARK
1	50100J5BT000	FUEL TANK COMP.	1				
2	50004BMAT000	GASKET, FUEL UNIT	1				
3	50800J5BT001	GAUGE ASSY, FUEL LEVEL	1				
4	50300J5BT000	FUEL COCK ASSY.	1				
5	B01090601265	FLANGE BOLT M6X12	4				
6	B13010501405	ASSY BOLT M5X14	4				



NO.	PART NO.	DESCRIPTION	QTY	DESIGN CHANGE	DATE	APPLY	REMARK
1	51100BN0T000	DOUBLE SEAT	1				
2	51080BN0T000	HINGE, SEAT, ASSY.	1				
3	08011H60X000	BOLT M6X14	2				
4	51004BN0T000	LUGGAGE BOX COMP	1				
5	51005BN0T000	COVER, LUGGAGE BOX	1				
6	B04070600065	NUT 6	2				
7	B02060601625	BOLT M6X16	2				
8	51110BN0T000	SEAT BOARD, ASSY	1				
9	B05074801305	SCREW ST4.8X13	1				
10	08017J4AT000	BOLT W/WASHER M6X20	2				
11	51022J5BT000	COVER, LUGGAGE BOX	1				

F09 REAR WHEEL

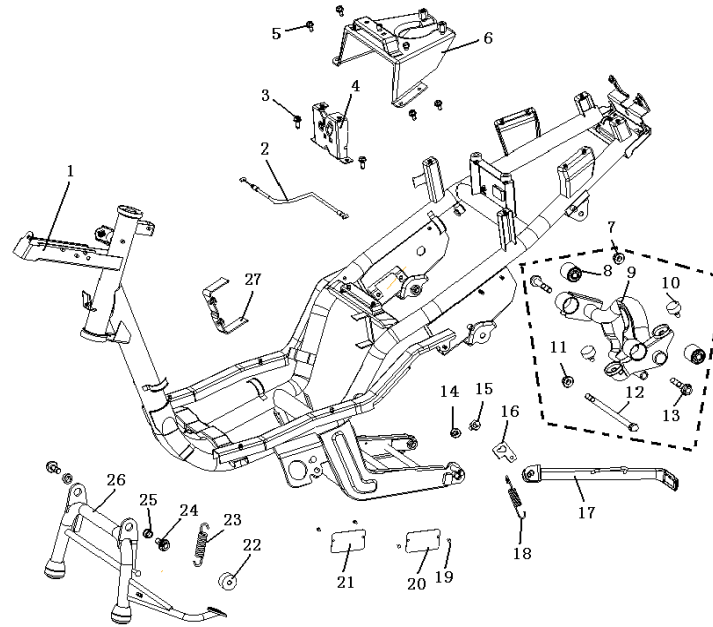
GENERIC XOR 125



NO.	PART NO.	DESCRIPTION	QTY	DESIGN CHANGE	DATE	APPLY	REMARK
1	54100J4FT00A	RR .RIMCOMP.3.5X12" BLACK	1				
2	B140108D12BB	TIRE 130/70-12	1				
3	B1403Z201100	RIM VALVE Z2-01-1	1				
4	B01090603565	BOLT 6X35	1				
5	54008J4AT000	TENSION SPRING	1				
6	54200J4AT000	BRAKE SHOE (NO ASBESTOS)	1 SET	1 SET = 2 PIECES			
7	54001J4AT000	SPRING, BRAKE SHOE	2				
8	54250J4AT002	CAM SHAFT LEVER, ASSY	1				
9	54003J4AT000	CAM SHAFT, 2	1				
10	B04171601563	U NUT 16X1.5	1				
11	B1404Z2011C0	CAP, VALVE	1				

F10-1 FRAME BODY

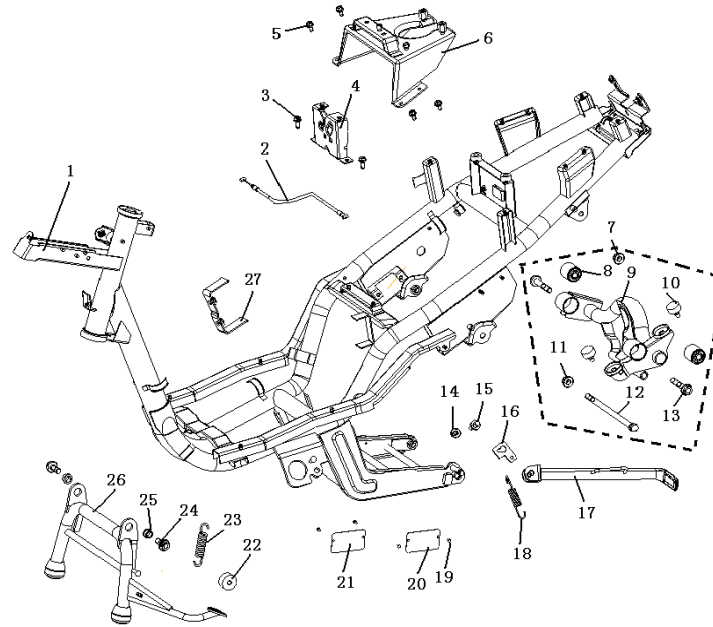
GENERIC XOR 125



NO.	PART NO.	DESCRIPTION	QTY	DESIGN CHANGE	DATE	APPLY	REMARK
1	57100J5BT000	FRAME COMP.	1				
2	58900J5BT000	SEAT CABLE ASSY.	1				
3	B01090602565	FLANGE BOLT M6X25	2				
4	58800BM0T000	SEAT CATCH COMP.	1				
5	B01090601665	FLANGE BOLT M6X16	4				
6	57080BN0T000	CARRIER BRACKET	1				
7	58351J5BT000	BUSH, LEFT	1				
8	58340J3AT000	BUSH	2				
9	58320J5BT000	HANGER LINK, ENGINE	1				
10	58302J5BT000	BUFFER, RUBBER	2				
11	B04171012565	NUT M10X1.25	1				
12	58303J5BT000	E/G MOUNTING BOLT, 2 M10X1.25	1				
13	B01091005565	FLANGE BOLT M10X55	2				
14	B04170800065	NUT M8	1				
15	57005BMBT000	BOLT, SINGLE STAND	1				
16	57006BM0T000	HOOK, SINGLE STAND SPRING	1				
17	58700J5BT000	SINGLE STAND COMP.	1				
18	57010BM0T000	SPRING ASSY, SINGLE STAND	1				
19	B100432007P0	RIVET 3.2X7	2				
20	57001J5BT000	PLATE, LABEL	1				
21	57002J5BT000	ANTI-TAMPERING PLATE	1				
22	58507J3FT000	CUSHION, MID STAND	1				
23	58510BM0T000	MAIN STAND SPRING ASSY.	1				

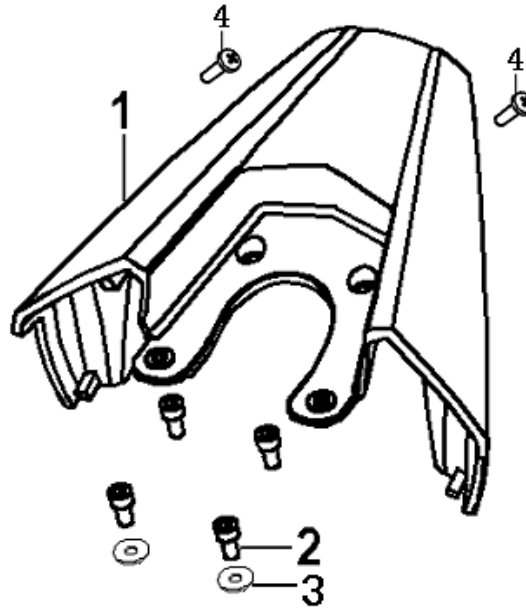
F10-2 FRAME BODY

GENERIC XOR 125



NO.	PART NO.	DESCRIPTION	QTY	DESIGN CHANGE	DATE	APPLY	REMARK
-----	----------	-------------	-----	---------------	------	-------	--------

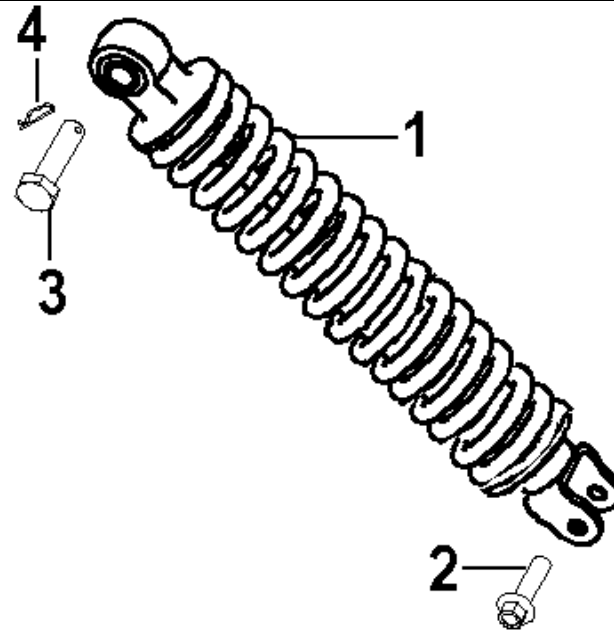
24	B01091002565	FLANGE BOLT M10X25	2				
25	58509JA0T000	BUSH	2				
26	58520J5BT000	MAIN STAND JOINTING ASSY.	1				
27	59450J5BT000	VALVE FIXING ASSY.	1				



NO.	PART NO.	DESCRIPTION	QTY	DESIGN CHANGE	DATE	APPLY	REMARK
1	52011BN0TC10	HANDRAIL (SILVER)	1				
1	52011BN0TB40	HANDRAIL (BLACK)	1			█	
1	52011BN0TLE0	HANDRAIL (BLUE)	1			█	
2	B02050802060	BOLT M8X20	4				
3	B07020000805	WASHER 8	2				
4	B02060501225	SCREW M5X12	2				

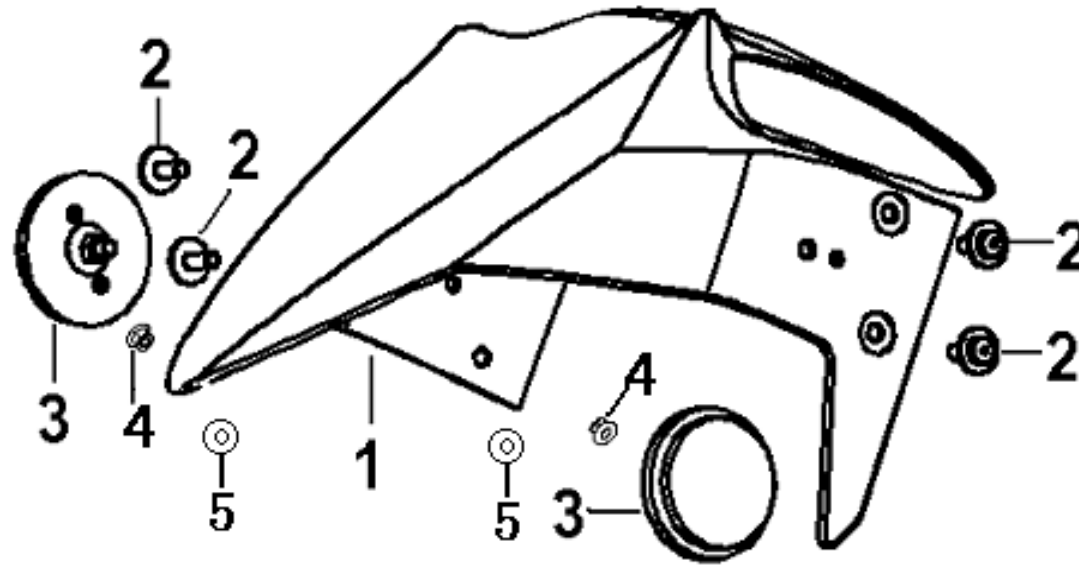
F12 REAR ABSORBER

GENERIC XOR 125



NO.	PART NO.	DESCRIPTION	QTY	DESIGN CHANGE	DATE	APPLY	REMARK
-----	----------	-------------	-----	---------------	------	-------	--------

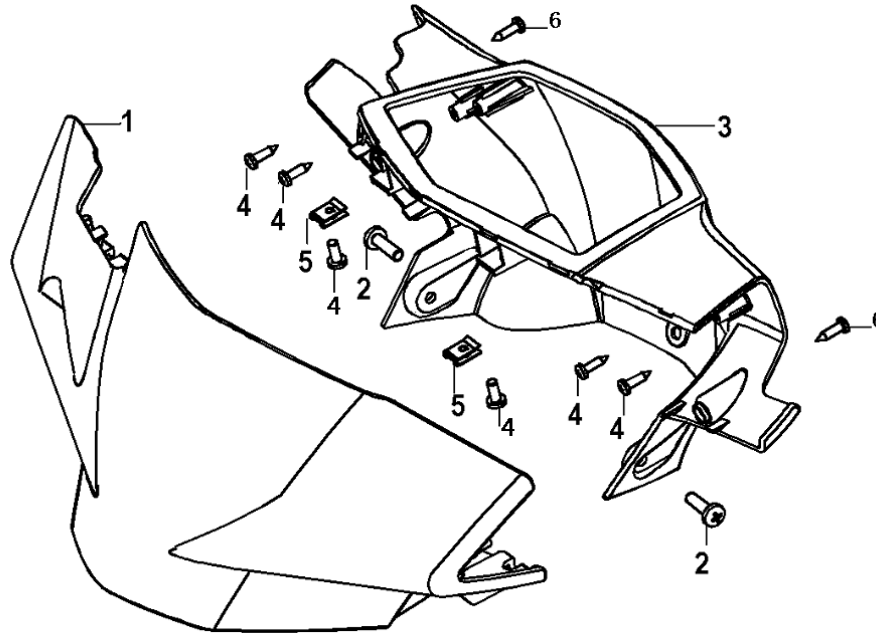
1	63100J4FT000	RR. ABSORBER COMP., (BLACK)	1				
2	63015J0ET000	FLANGE BOLT M8X31	1				
3	B01141004060	BOLT W/HOLE 10X1.25X40	1				
4	63016B0DT000	SPLIT PIN	1				



NO.	PART NO.	DESCRIPTION	QTY	DESIGN CHANGE	DATE	APPLY	REMARK
1	65101BN0TC10	FRONT FENDER (SILVER)	1				
1	65101BN0TB40	FRONT FENDER (BLACK)	1				
1	65101BN0TLE0	FRONT FENDER (BLUE)	1				
2	65114BMBT000	SCREW WITH WASHER 6X16	4				
3	86300BMMT000	FR. REFLECTOR (E-MARK)	2				
4	B04000500055	NUT M5	2				
5	B07030000500	WASHER 5	2				

F14 HANDLE COVER

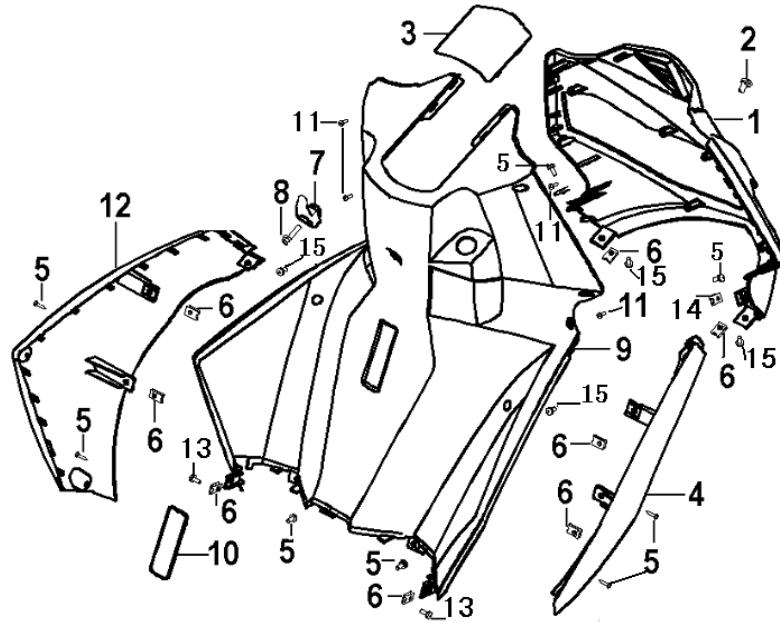
GENERIC XOR 125



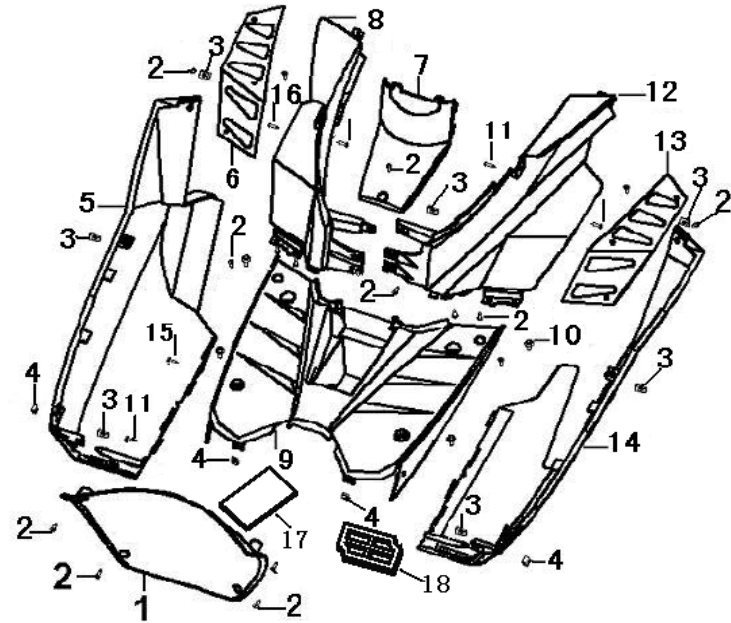
NO.	PART NO.	DESCRIPTION	QTY	DESIGN CHANGE	DATE	APPLY	REMARK
1	65201BN0TC10	HANDLE COVER,FR (SILVER)	1				
1	65201BN0TB40	HANDLE COVER,FR (BLACK)	1			█	
1	65201BN0TLE0	HANDLE COVER,FR (BLUE)	1			█	
2	B13010602005	SCREW 6X20	2				
3	65202BN0T000	HANDLE COVER,RR	1				
4	B05000401605	TAPPING SCREW ST4X16	6				
5	65801BMA000	CLIP NUT (M4)	2				
6	B05070401205	TAPPING SCREW ST4X12	2				

F15 FRONT COVER

GENERIC XOR 125



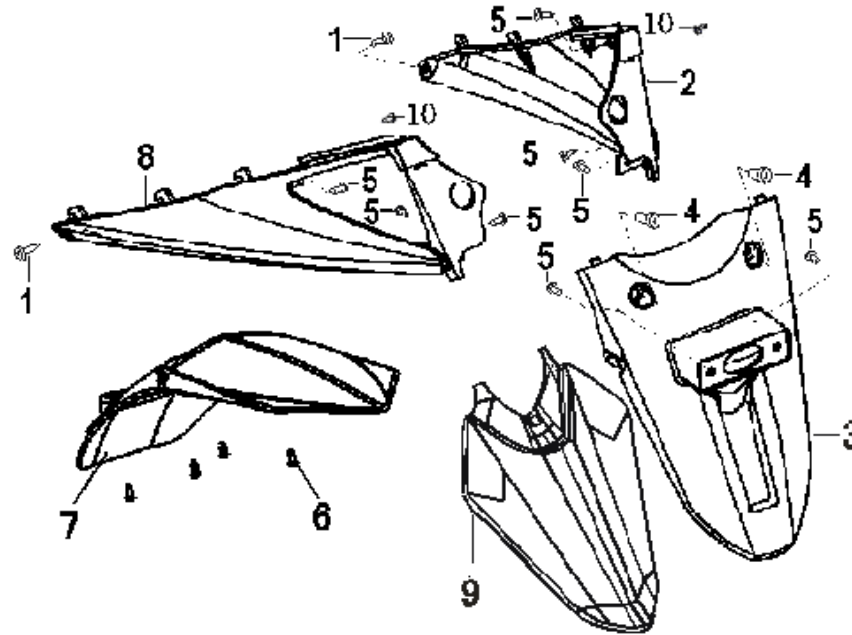
NO.	PART NO.	DESCRIPTION	QTY	DESIGN CHANGE	DATE	APPLY	REMARK
1	65301BN0TC10	FRONT COVER (SILVER)	1				
1	65301BN0TB40	FRONT COVER (BLACK)	1			■	
1	65301BN0TLE0	FRONT COVER (BLUE)	1			■	
2	B13010601625	SCREW M6X16	1				
3	65303BN0T000	UPPER COVER,LEG SHIELD	1				
4	65365BN0TC10	R. FR. SIDE COVER (SILVER)	1				
4	65365BN0TB40	R. FR. SIDE COVER (BLACK)	1			■	
4	65365BN0TLE0	R. FR. SIDE COVER (BLUE)	1			■	
5	B05074801600	TAPPING SCREW ST4.8X16	8			■	
6	65801BMA000	CLIP NUT (M4)	10				
7	51011B5BT000	HOOK,HELMET	1				
8	B01090602565	BOLT M6X25	1				
9	65402BN0T000	LEG SHIELD	1				
10	65403BN0T000	COVER,FRAME NUMBER	1				
11	B05000401605	TAPPING SCREW ST4X16	4				
12	65364BN0TC10	L. FR. SIDE COVER (SILVER)	1				
12	65364BN0TB40	L. FR. SIDE COVER (BLACK)	1			■	
12	65364BN0TLE0	L. FR. SIDE COVER (BLUE)	1			■	
13	B05074201905	TAPPING SCREWS ST4.2X19	2			■	
14	65802BMA000	CLIP NUT (M5)	2				
15	B05074201605	TAPPING SCREWS ST4.2X16	4				



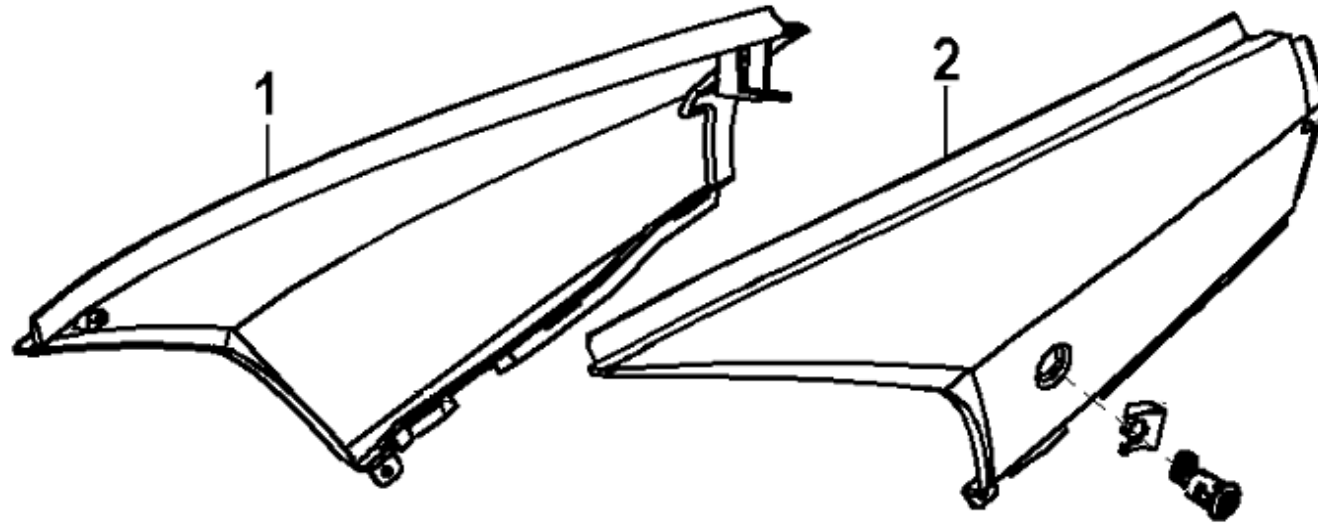
NO.	PART NO.	DESCRIPTION	QTY	DESIGN CHANGE	DATE	APPLY	REMARK
1	65406BN0T000	FENDER, INNER	1				
2	B05074201605	TAPPING SCREW 4.2X16	18				
3	65801BMAT000	CLIP NUT M4	11				
4	65802BMAT000	CLIP NUT M5	4				
5	65409J5BTC10	SIDE COVER, RIGHT (SILVER)	1			■	
5	65409J5BTB40	SIDE COVER, RIGHT (BLACK)	1			■	
5	65409J5BTLE0	SIDE COVER, RIGHT (BLUE)	1			■	
6	65414BN0T000	RUBBLER PLATE, RIGHT FOOTREST	1				
7	65813BN0T000	BATTERY LID	1				
8	65604BN0T000	R SIDE FOOT STEP COVER	1				
9	65401BN0T000	FLOOR PANEL COMP.	1				
10	08011H60X000	BOLTS M6x14	4				
11	B05070401605	TAPPING SCREW 4X16	3				
12	65603BN0T000	L SIDE FOOT STEP COVER	1				
13	65413BN0T000	RUBBER PLATE, LEFT FOOTREST	1				
14	65408J5BTC10	SIDE COVER, LEFT (SILVER)	1			■	
14	65408J5BTB40	SIDE COVER, LEFT (BLACK)	1			■	
14	65408J5BTLE0	SIDE COVER, LEFT (BLUE)	1			■	
15	B05070401205	TAPPING SCREW 4X12	12				
16	B02060501425	SCREW M5X14	2				
17	65811BMBT000	BATTERY DAMPER 1	1				
18	65812BMBT000	BATTERY DAMPER 2	1				

F17 REAR FENDER

GENERIC XOR 125



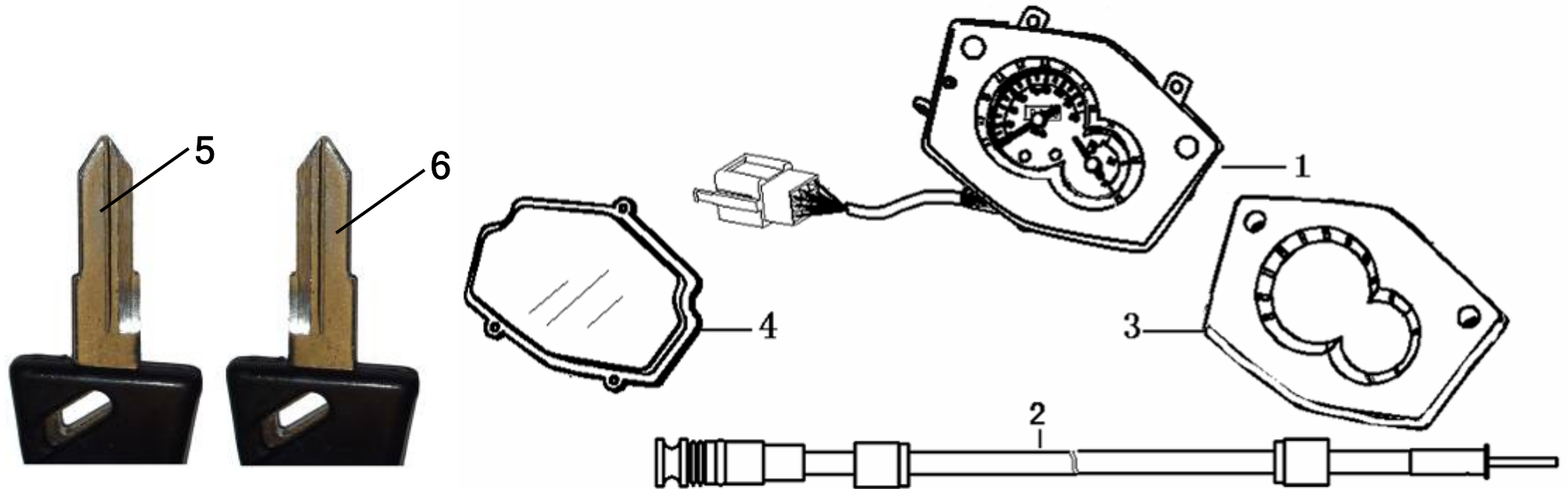
NO.	PART NO.	DESCRIPTION	QTY	DESIGN CHANGE	DATE	APPLY	REMARK
1	B13010501405	SCREW ASSY M5X14	2				
2	65718BN0T000	SIDE FENDER, RR. LEFT	1				
3	65701BN0T000	MUDGUARD, REAR	1				
4	B13010601205	SCREW ASSY M6X12	2				
5	B05074201305	TAPPING SCREW ST4.2X13	8				
6	B05004201305	TAPPING SCREW ST4.2X13	4				
7	65709J5BT000	REAR CENTER FENDER	1				
8	65717BN0T000	SIDE FENDER, RR. RIGHT	1				
9	65719BN0T000	MUDGUARD, REAR	1				
10	B05073001005	TAPPING SCREW ST3X10	2				



NO.	PART NO.	DESCRIPTION	QTY	DESIGN CHANGE	DATE	APPLY	REMARK
1	65602BN0TC10	BODY COVER ,R (SILVER)	1				
1	65602BN0TB40	BODY COVER ,R (BLACK)	1				
1	65602BN0TLE0	BODY COVER ,R (BLUE)	1				
2	65601BN0TC10	BODY COVER ,L (SILVER)	1				
2	65601BN0TB40	BODY COVER ,L (BLACK)	1				
2	65601BN0TLE0	BODY COVER ,L (BLUE)	1				

F19 SPEEDOMETER

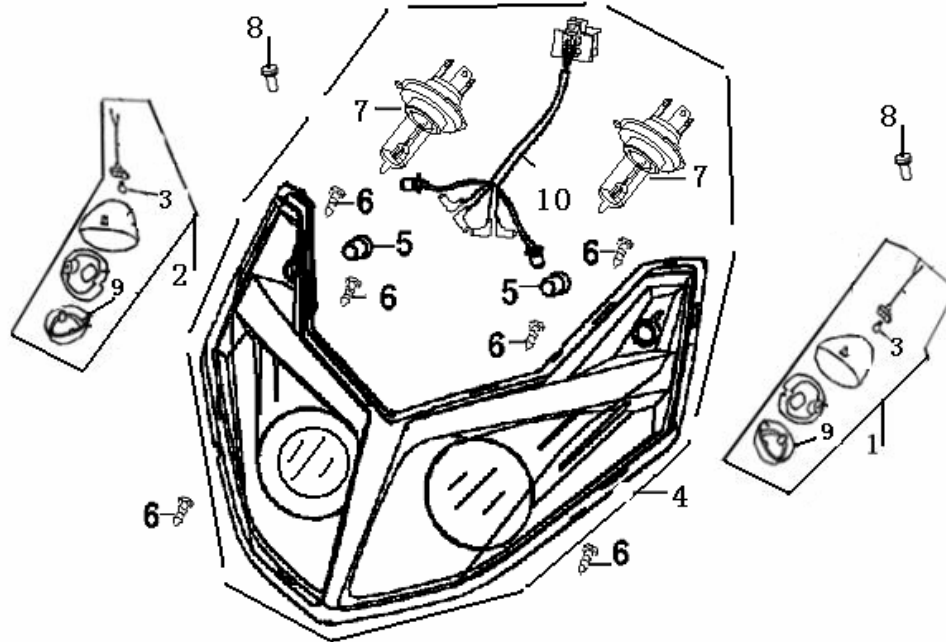
GENERIC XOR 125



NO.	PART NO.	DESCRIPTION	QTY	DESIGN CHANGE	DATE	APPLY	REMARK
1	7000J5BT001	SPEEDOMETER ASSY.	1				
2	72900BN0T000	SPEEDOMETER CABLE COMP.	1				
3	70003BN0T000	PLATE, SPEEDOMETER	1				
4	70004BN0T000	LENS, SPEEDOMETER	1				
5	88900BMBT001	KEY NUT RIGHT	1				
6	88900BMBT002	KEY NUT LEFT	1				

F20 FLASHER LIGHT/HEAD LIGHT

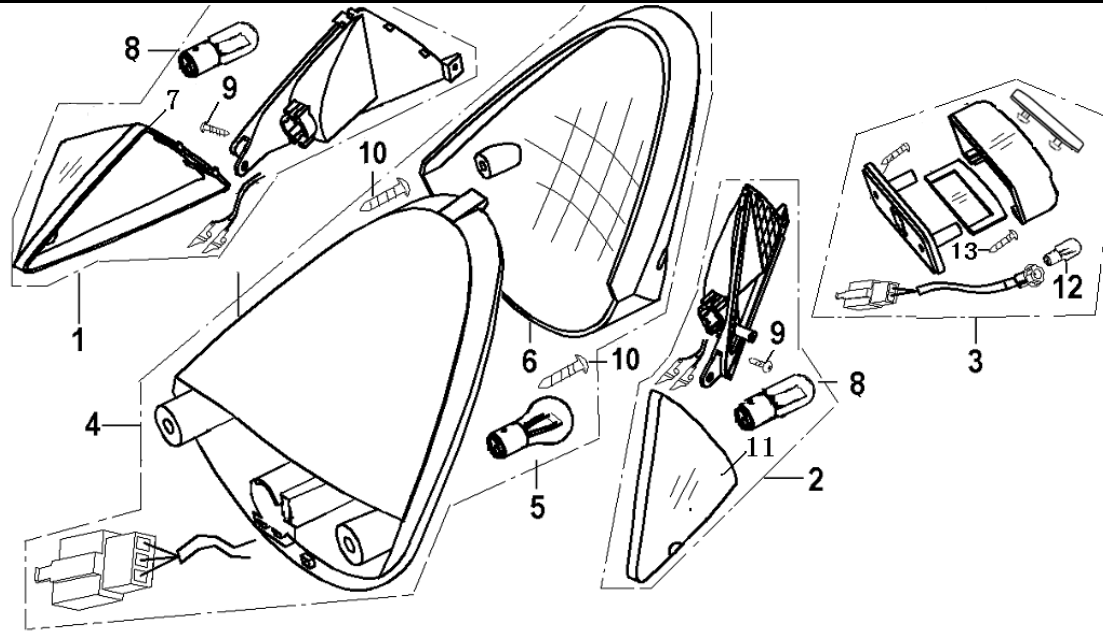
GENERIC XOR 125



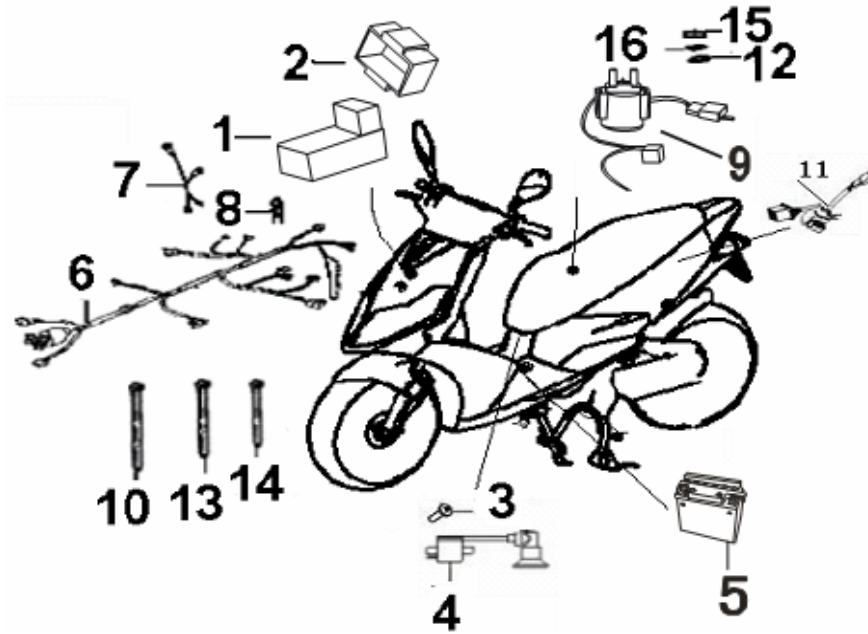
NO.	PART NO.	DESCRIPTION	QTY	DESIGN CHANGE	DATE	APPLY	REMARK
1	81100BMMT001	FLASHER LIGHT ASSY., L(E MARK)	1				
2	81300BMMT001	FLASHER LIGHT ASSY., R(E MARK)	1				
3	81004JJ0P000	BULB, 12V/10W	2				
4	80000BN0T001	HEAD LIGHT ASSY. (E MARK)	1				
5	80003BN0T000	BULB 12V/5W	2				
6	B05070401605	TAPPING SCREW 4X16	6				
7	80002BN0T000	BULB, (12V 35/35W)	2				
8	B13140501405	SCREW W/WASHER M5X13	2				
9	81102BMMT001	FLASHER LIGHT COVER	2				
10	80009BN0T001	HEADLIGHT WIRE ASSY..R	1				

F21 TAIL LIGHT

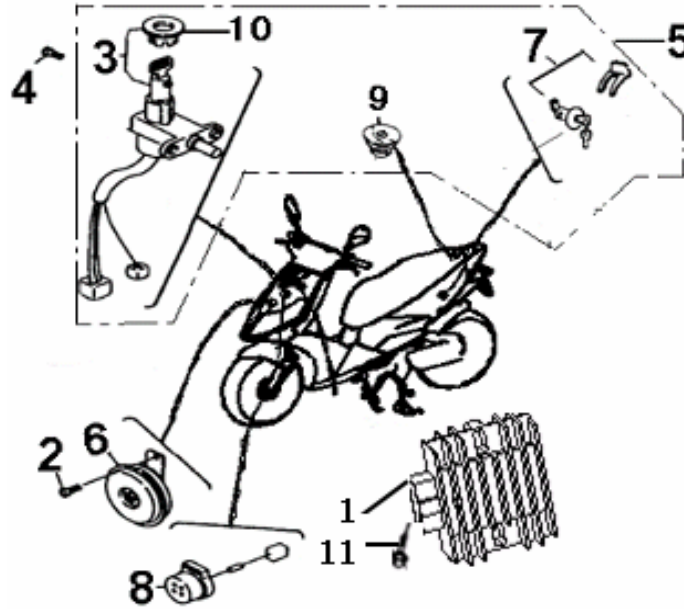
GENERIC XOR 125



NO.	PART NO.	DESCRIPTION	QTY	DESIGN CHANGE	DATE	APPLY	REMARK
1	81700BN0T001	FLASHER LIGHT ASSY., RR. RIGHT (E MARK)	1				
2	81500BN0T001	FLASHER LIGHT ASSY., RR. LEFT (E MARK)	1				
3	82500BN0T001	LIGHT ASSY, LICENSE PLATE	1				
4	82000BN0T001	TAIL LIGHT ASSY. (E MARK)	1				
5	82005B20T000	BULB 12V 21/5W	1				
6	82008BN0T000	LENS, TAIL LIGHT	1				
7	81708BN0T000	FLASHER LIGHT COVER, R	1				
8	81004JJ0P000	BULB 12V 10W	2				
9	08011BN0T000	SCREW 3X8	2				
10	08009BN0T000	SCREW 4X18	2				
11	81508BN0T000	FLASHER LIGHT COVER, L	1				
12	82505BN0T000	BULB	1				
13	08008BN0T000	SCREW 4X12	2				



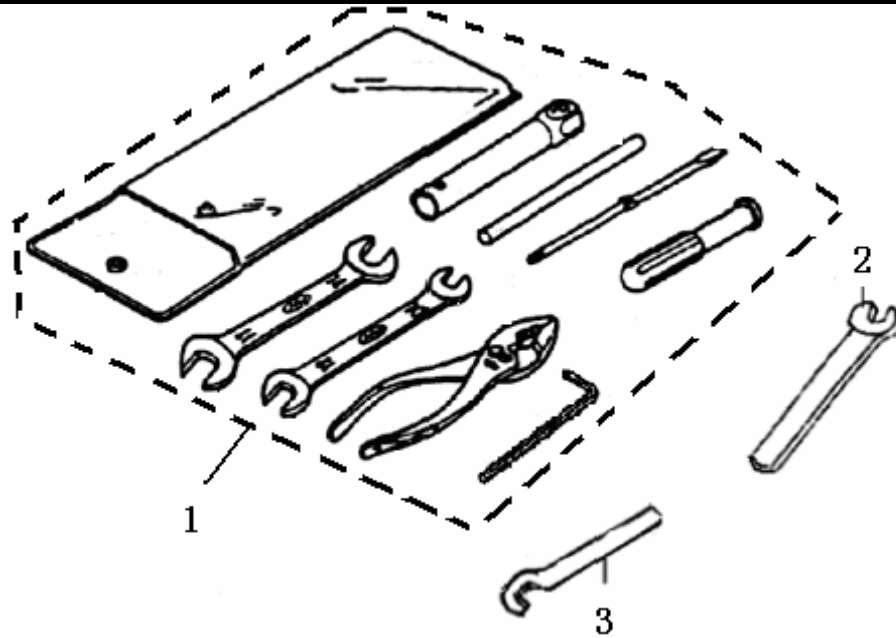
NO.	PART NO.	DESCRIPTION	QTY	DESIGN CHANGE	DATE	APPLY	REMARK
1	97701BAAT000	C.D.I. UNIT COMP.	1				
2	96007BAAT000	CUSHION C.D.I.	1				
3	B13040602005	SCREW 6X20	2				
4	96200J5BT000	IGNITION COIL ASSY	1				
5	96100J4FT000	BATTERY ASSY.	1				
6	92000J5BT000	WIRE HARNESS ASSY.	1				
7	96900J4AT000	SUB WIRE HARNESS	1				
8	96800K80T000	FUSE 8A,250V	1				
9	94000BN0T001	STARTER RELAY COMP.	1				
10	96001K00P000	BAND 250	3				
11	92100J3AT001	DIODE COMP.	1				
12	B07030000605	WASHER 6	2				
13	96003K00P000	BAND 200	3				
14	96002K00P000	BAND 150	5				
15	B04000600035	NUT 6	1				
16	B07000000605	WASHER 6	2				



NO.	PART NO.	DESCRIPTION	QTY	DESIGN CHANGE	DATE	APPLY	REMARK
1	98801N0FP000	REC. REGULATOR COMP.	1				
2	B01090601265	BOLT 6X12	2				
3	88100J5BT000	IGNITION SWITCH ASSY.	1				
4	08002BMBT000	BOLT 6X16	2				
5	88000BN0T000	KEY LOCK SET.	1				
6	95000BMDT000	HORN COMP (E MARK)	1				
7	88800BN0T000	LOCK ASSY., SEAT	1				
8	96500BN0T000	FLASHER RELAY COMP (DOT)10W	1				
9	88400BM0T000	LOCK ASSY., FUEL TANK	1				
10	88101BMBT000	COVER MAIN SWITCH	1				
11	B01090602065	BOLT 6X20	2				

F24 TOOL KIT

GENERIC XOR 125

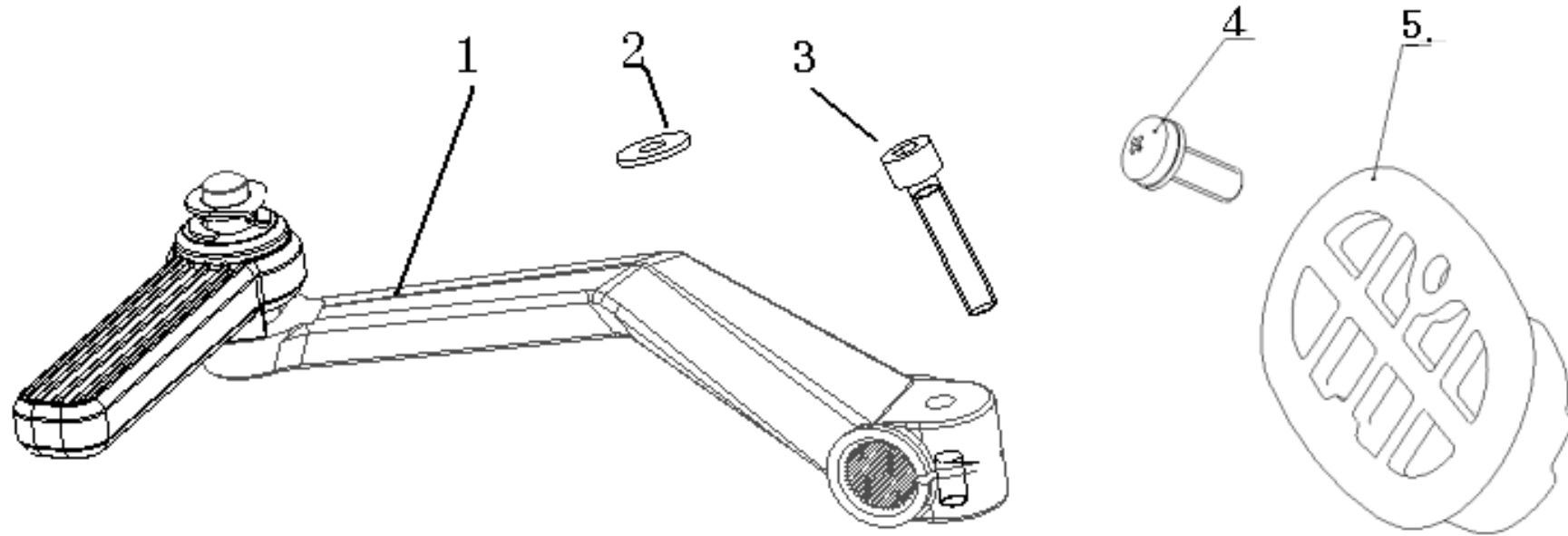


NO.	PART NO.	DESCRIPTION	QTY	DESIGN CHANGE	DATE	APPLY	REMARK
-----	----------	-------------	-----	---------------	------	-------	--------

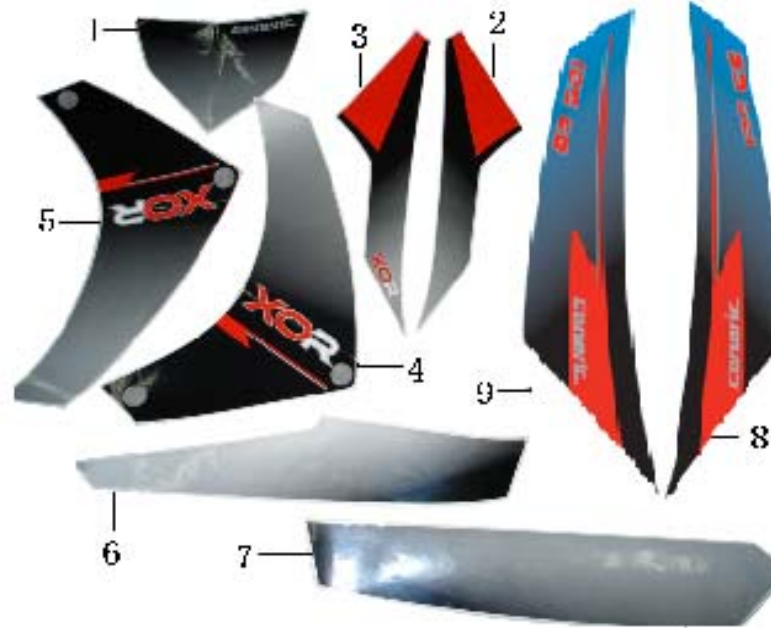
1	02100J5BT000	TOOLS ASSY.	1				
2	02115BMOT000	RR. ABSORBER ADJUSTER	1				
3	02117BMBT000	WRENCH 35	1				

F25 ENGINE ATTACHMENT

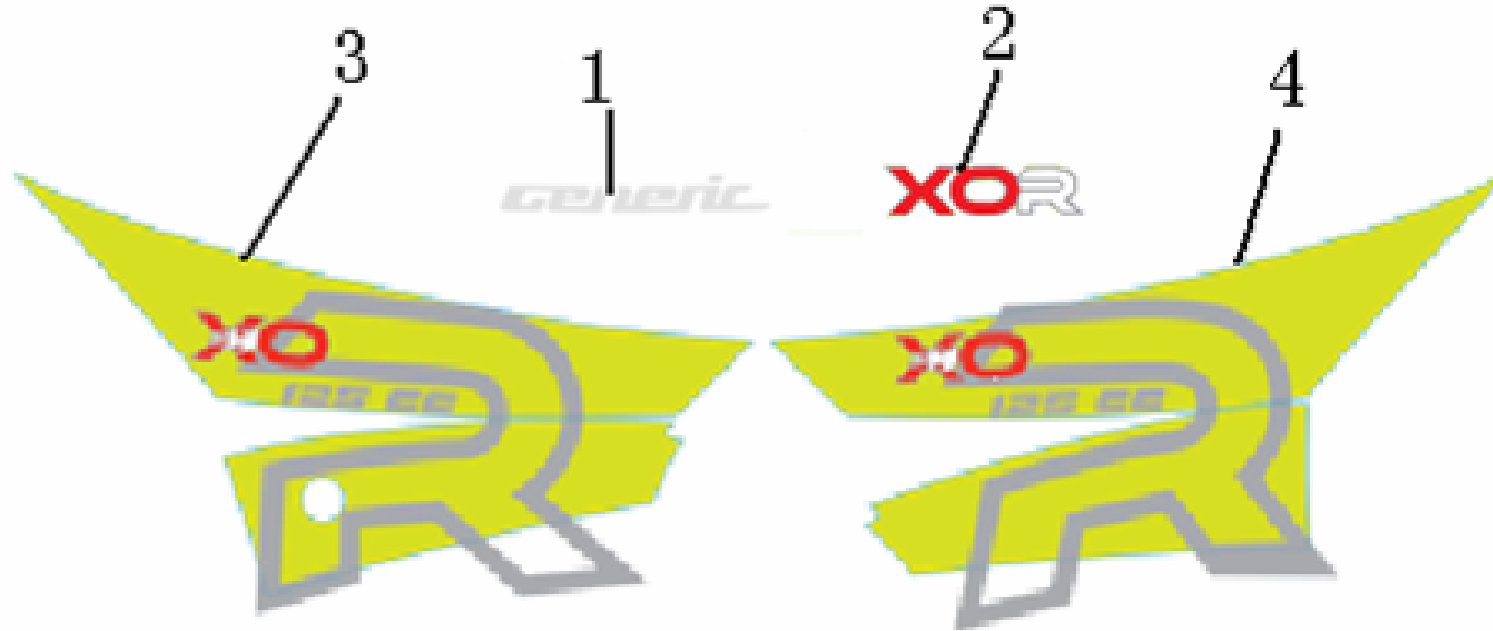
GENERIC XOR 125



NO.	PART NO.	DESCRIPTION	QTY	DESIGN CHANGE	DATE	APPLY	REMARK
1	08350J5BT000	KICK STARTER COMP	1				
2	B07030000600	WASHER	1				
3	B02050602560	BOLT 6X25	1				
4	B02060501245	SCREW 5X12	1				
5	08400J5BT001	ENGINE ENTRANCE COMP	1				



NO.	PART NO.	DESCRIPTION	QTY	DESIGN CHANGE	DATE	APPLY	REMARK
1	05510BN0T000	sticker, handle cover	1				
2	05521BN0T000	sticker, front cover,L	1				
3	05529BN0T000	sticker, front cover,R	1				
4	05501BN0T000	sticker, FR. Side cover,L	1				
5	05509BN0T000	sticker, FR. Side cover,R	1				
6	05541BN0T000	sticker, Low,side cover,L	1				
7	05549BN0T000	sticker, Low,side cover,R	1				
8	05511J5BT000	sticker, sider cover,L	1				
9	05519J5BT000	sticker, sider cover,R	1				



NO.	PART NO.	DESCRIPTION	QTY	DESIGN CHANGE	DATE	APPLY	REMARK
-----	----------	-------------	-----	---------------	------	-------	--------

1	05510BN0T001	sticker, handle cover	1				
2	05529BN0T001	sticker, front cover,R	1				
3	05511J5BT001	sticker, sider cover,L	1				
4	05519J5BT001	sticker, sider cover,R	1				



NO.	PART NO.	DESCRIPTION	QTY	DESIGN CHANGE	DATE	APPLY	REMARK
1	05511J5BT002	sticker, sider cover,L	1				
2	05519J5BT002	sticker, sider cover,R	1				
3	05529BN0T001	sticker, front cover,R	1				
4	05510BN0T001	sticker, handle cover	1				